



Landscape lighting catalogue **2021**



The art of illuminating a night time landscape can transform a dark void into a visual wonderland full of texture and contrast.

It's a new world, lit with depth and subtlety, one that appears as the sun goes down and extends the enjoyment of a garden landscape long into the night.

To bring any vision to life you need the right tools.

Aqualux designs and manufactures professional landscape lighting fixtures that will let you realise your landscape lighting vision.

Wall Mounted

Recessed

Grazing

Spot Lights & Projectors

Pathlights & Bollards

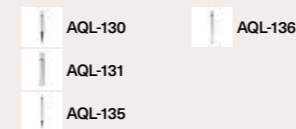
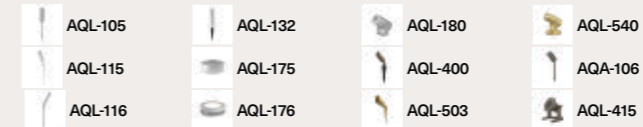
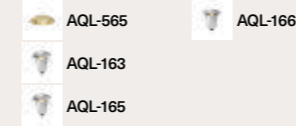
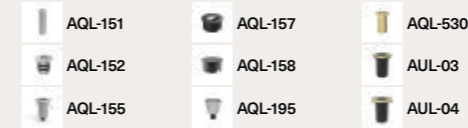
Area / Floodlights

Neon Flex & Linear

String Lighting

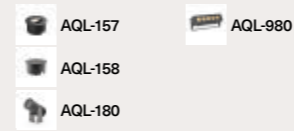
Control Gear, Lamps

& Accessories



LumenaPro  
 Lumena  
 Phoenix  
 Hydra  
 Artisan  
 Neon Flex / Linear  
 AQL-600 Series  
 AQL-900 Series  
 String Lighting  
 Control Gear, Lamps  
 & Accessories

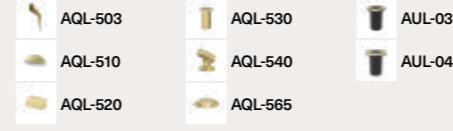
31 - 27



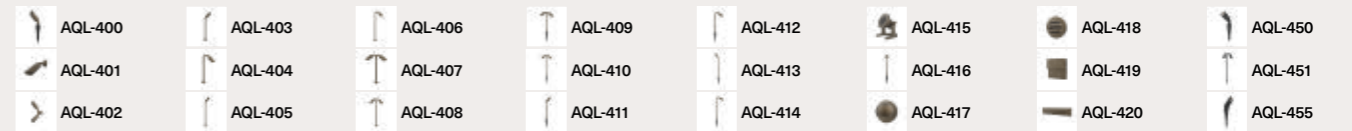
57 - 37



71 - 63



102 - 77



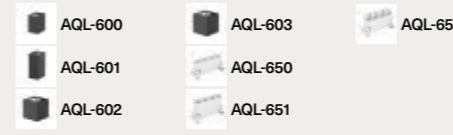
114 - 109



141-119



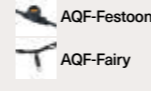
158 - 151



171 - 165



177 - 176



195 - 182



# We are planners

Proper planning of an outdoor lighting project is essential in order to maximise success and to minimise on site installation and wiring headaches.

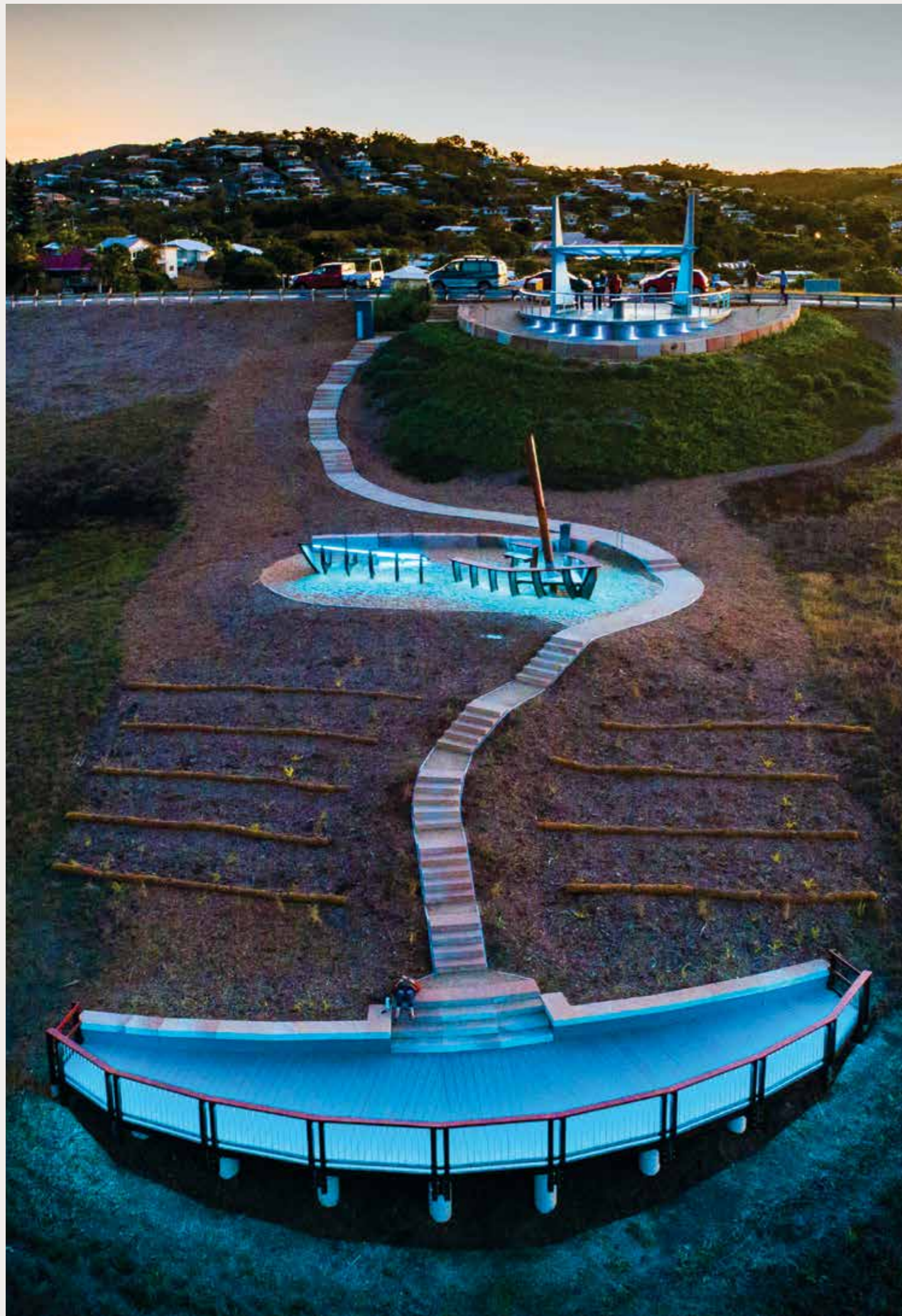
Aqualux provides planning assistance free to our customers and their clients who are looking to utilise our products. Tap our in-depth product knowledge and experience in landscape lighting to create a winning plan for your next project.



## Our Iconic planning list

<b>N3</b> AQS-401 Neon Flex	Layout	24V DC	Notes	<b>P3</b> AQL-410 Spike Pathlight	24V DC	Notes
<b>B1</b> AQL-130 Bollard	24V DC	Notes	<b>N4</b> AQS-605 Neon Flex	Layout	24V DC	Notes
<b>B2</b> AQL-131 Bollard	24V DC	Notes	<b>N5</b> AQS-610 Neon Flex	Layout	24V DC	Notes
<b>B3</b> AQL-135 Bollard	24V DC	Notes	<b>G1</b> AQL-163 Recessed Grazing Light	24V DC	Notes	
<b>B4</b> AQL-136 Bollard	24V DC	Notes	<b>G2</b> AQL-165 Recessed Grazing Light	24V DC	Notes	
<b>B5</b> AQL-146 Bollard	24V DC	Notes	<b>G3</b> AQL-168 Recessed Grazing Light	24V DC	Notes	
<b>F1</b> AQL-980 Floodlight	24V DC	Notes	<b>G4</b> AQL-565 Recessed Grazing Light	24V DC	Notes	
<b>F2</b> AQL-910 Floodlight	24V DC	Notes	<b>U1</b> AQL-155 Recessed Uplight	24V DC	Notes	
<b>F2</b> AQL-910 Floodlight	24V DC	Notes	<b>U2</b> AQL-195 Recessed Uplight	24V DC	Notes	
<b>F3</b> AQL-911 Floodlight	24V DC	Notes	<b>U3</b> AQL-157 Recessed Uplight	24V DC	Notes	
<b>F4</b> AQL-912 Floodlight	24V DC	Notes	<b>U4</b> AQL-158 Recessed Uplight	24V DC	Notes	
<b>F5</b> AQL-913 Floodlight	24V DC	Notes	<b>U5</b> AQL-530 Recessed Uplight	24V DC	Notes	
<b>N1</b> AQS-400 Neon Flex	Layout	24V DC	Notes	<b>P1</b> AQL-451 Spike Pathlight	24V DC	Notes
<b>N2</b> AQS-500 Neon Flex	Layout	24V DC	Notes	<b>P2</b> AQL-409 Spike Pathlight	24V DC	Notes
				<b>S1</b> AQL-105 Spike Spotlight	24V DC	Notes
				<b>S2</b> AQL-115 Spike Spotlight	24V DC	Notes
				<b>S3</b> AQL-132 Spike Spotlight	24V DC	Notes
				<b>S4</b> AQL-400 Spike Spotlight	24V DC	Notes
				<b>S5</b> AQL-411 Spike Spotlight	24V DC	Notes
				<b>S6</b> AQL-412 Spike Spotlight	24V DC	Notes
				<b>S7</b> AQL-413 Spike Spotlight	24V DC	Notes
				<b>S8</b> AQL-450 Spike Spotlight	24V DC	Notes
				<b>S9</b> AQL-503 Spike Spotlight	24V DC	Notes
				<b>D1</b> AQL-175 Surface Downlight	24V DC	Notes
				<b>Q1</b> AQL-404 Surface Pathlight	24V DC	Notes
				<b>Q2</b> AQL-406 Surface Pathlight	24V DC	Notes

<b>Q3</b> AQL-407 Surface Pathlight	24V DC	Notes	<b>W5</b> AQL-520 Wall Light	24V DC	Notes	<b>7</b> Switch Seven	Layout	Location	Notes	
<b>Q4</b> AQL-408 Surface Pathlight	24V DC	Notes	<b>W6</b> AQL-600 Wall Light	24V DC	Notes	<b>8</b> Switch Eight	Layout	Location	Notes	
<b>R1</b> AQL-540 Surface Spotlight	24V DC	Notes	<b>W7</b> AQL-601 Wall Light	24V DC	Notes	<b>9</b> Switch Nine	Layout	Location	Notes	
<b>R2</b> AQL-160 Surface Spotlight	24V DC	Notes	<b>W8</b> AQL-602 Wall Light	24V DC	Notes	<b>10</b> Switch Ten	Layout	Location	Notes	
<b>R3</b> AQL-401 Surface Spotlight	24V DC	Notes	<b>W9</b> AQL-603 Wall Light	24V DC	Notes	<b>11</b> Switch Eleven	Layout	Location	Notes	
<b>R4</b> AQL-402 Surface Spotlight	24V DC	Notes	<b>H1</b> AQL-108 Hanging Downlight	Layout	24V DC	Notes	<b>12</b> Switch Twelve	Layout	Location	Notes
<b>R5</b> AQL-403 Surface Spotlight	24V DC	Notes	<b>T1</b> AQL-650 Festoon	24V DC	Notes	<b>13</b> Switch Thirteen	Layout	Location	Notes	
<b>R6</b> AQL-405 Surface Spotlight	24V DC	Notes	<b>F2</b> AQL-FL Fairy	24V DC	Notes	<b>14</b> Switch Fourteen	Layout	Location	Notes	
<b>R7</b> AQL-415 Surface Spotlight	24V DC	Notes	<b>1</b> Switch One	Layout	Location	Notes	<b>15</b> Switch Fifteen	Layout	Location	Notes
<b>W0</b> AQL-417 Wall Light	24V DC	Notes	<b>2</b> Switch Two	Layout	Location	Notes	<b>16</b> Switch Sixteen	Layout	Location	Notes
<b>W1</b> AQL-418 Wall Light	24V DC	Notes	<b>3</b> Switch Three	Layout	Location	Notes	<b>17</b> Switch Seventeen	Layout	Location	Notes
<b>W2</b> AQL-419 Wall Light	24V DC	Notes	<b>4</b> Switch Four	Layout	Location	Notes	<b>18</b> Switch Eighteen	Layout	Location	Notes
<b>W3</b> AQL-420 Wall Light	24V DC	Notes	<b>5</b> Switch Five	Layout	Location	Notes	<b>19</b> Switch Nineteen	Layout	Location	Notes
<b>W4</b> AQL-510 Wall Light	24V DC	Notes	<b>6</b> Switch Six	Layout	Location	Notes	<b>20</b> Switch Twenty	Layout	Location	Notes



# RGB Architectural and Commercial Lighting

Aqualux provides a full suite of products and project support from concept development to systems integration, maintenance and programming.

Dynamic illumination of exterior facades and features is a great way to highlight many different types of buildings, artworks and installations. Using advanced LED lighting systems Aqualux can provide energy efficient, colour changing lighting solutions that can be used to promote events, recognise charities and sporting team achievements as well as add more visual interest to a building or feature.

Over the past decade, the growing popularity of various lighting events such as VIVID Sydney, the Guangzhou Light Show and the famous Hong Kong Lighting Show have all led to increasing interest in adding nighttime visual appeal to buildings and facilities in order to draw attention and support local events.

## Professional Fixtures

A full range of commercial grade fixtures to illuminate many types of projects from small, high-end residential to large public space and hospitality venues.

- AQL-180/158/980 RGBW High Powered Luminaires
- AQS-500/510/600 Neon Flex
- Underwater RGB Lights

## Services

- System design & integration
- Circuit design
- Programming
- Maintenance

## Control Systems

Wide range of control system products and integration services to cover many scenarios, including remote, off-site control.

- Madrix
- Nicolaudie
- Enttec
- L-TECH
- Casambi
- DALI
- CBUS
- Dynalight
- Integration with RTI, AMX, Crestron, Control 4



# What makes an Icon?

At the base of each product page are a series of icons. The icons are a quick reference guide to learn relevant product info at a glance.

Following is the complete set of icons with their definitions and descriptions.



## Lumen Maintenance 80

The LM-80 standard is the IESNA approved method for determining lumen maintenance of LED light sources, e.g. how quickly the light output of an LED source degrades over time. It deals with actual measurements only.



## Luminaire Report

The LM-79 test report provides details about the performance of a total luminaire package, including wall-to-lumen efficacy, luminous flux, luminous intensity distribution and CCT / CRI details.



## Ingress Protection 20

Vertically dripping water shall have no harmful effect when the enclosure is tilted at an angle of 15° from its normal position. A total of four positions are tested within two axes.



## Ingress Protection 65

Water projected by a nozzle (6.3 mm (0.25 in)) against enclosure from any direction shall have no harmful effects.



## Ingress Protection 66

Water projected in powerful jets (12.5 mm (0.49 in)) against the enclosure from any direction shall have no harmful effects.



## Ingress Protection 67

Ingress of water in harmful quantity shall not be possible when the enclosure is immersed in water under defined conditions of pressure and time (up to 1 meter (3 ft 3 in) of submersion).



## Ingress Protection 68

The equipment is suitable for continuous immersion in water under conditions which shall be specified by the manufacturer. It can mean that water can enter but only in such a manner that it produces no harmful effects.



## 3 Year Warranty

In addition to the statutory warranty of 1 Year. This is on the condition that Aqualux lighting products are fit-for-purpose and installed professionally or by similarly qualified persons and that all guidelines and requirements are followed.



## 10 Year Warranty

In addition to the statutory warranty of 1 Year. This is on the condition that Aqualux lighting products are fit-for-purpose and installed professionally or by similarly qualified persons and that all guidelines and requirements are followed.



## 5 Step MacAdam

The colour point binning specifies the range of colours within which all LEDs are first supplied.



## Solvent Resistant

Offers resistance to common domestic solvents and cleaning agents. Not including industrial strength cleaners, acids or alkalines.



## Vertical Bending Direction

Only bends in the vertical bending direction. Twisting or bending horizontally will damage to Neon Flex. Each Neon Flex Product has a safe minimum bend radius.



## Warning

A statement or piece of information that tells people that there might be a danger or a problem in the future.



## 2 Year Warranty

In addition to the statutory warranty of 1 Year. This is on the condition that Aqualux lighting products are fit-for-purpose and installed professionally or by similarly qualified persons and that all guidelines and requirements are followed.



## 5 Year Warranty

In addition to the statutory warranty of 1 Year. This is on the condition that Aqualux lighting products are fit-for-purpose and installed professionally or by similarly qualified persons and that all guidelines and requirements are followed.



## 3 Step MacAdam

The colour point binning specifies the range of colours within which all LEDs are first supplied. 3 Step MacAdam, it is not possible to detected colour nuances between individual luminaires.



## Salt Water Resistant

Offers resistance to corrosion and degradation in salt water environments.



## Ultra Violet Protection

Offers protection from degradation and fading due to UV exposure in sunlight.



## Horizontal Bending Direction

Only bends in the horizontal bending direction. Twisting or bending vertically will damage to Neon Flex. Each Neon Flex Product has a safe minimum bend radius.



## Direct Current 24 Volts

Requires 24V DC constant voltage for correct operation.

# Taking the limelight

We're happy to introduce three new fittings, the AQL-116 Micro Spot light, AQL-120 Path light and the AQL-152 Mini recessed uplight.

As part of our continued pursuit of everything light, we've added these luminaries to compliment our existing range and respond to customer requests.



## Micro Spot Light **AQL-116**

**Adding to our Lumena Range, the AQL-116 Micro Spot Light compliments the AQL-115.**

Constructed from CNC Machined Aluminium, the AQL-116 Spot light is perfect for confined spaces while illuminating the area with the performance expected of the Lumena range.



AQL-116-A1  
(Satin Chrome)

AQL-116-A2  
(Black)

AQL-116-A3  
(Medium Bronze)

AQL-116-A4  
(Venerable Silver)



## Path Light **AQL-120**

**An updated version of an Aqualux classic.**

Revised for 2020 and beyond, our updated AQL-120 Path light is constructed from CNC Machined Aluminium and powder coated in a range of colours.

Offering offset, diffuse light projection suitable for path and wayfinding applications.



AQL-120-A1  
(Satin Chrome)

AQL-120-A2  
(Black)

AQL-120-A3  
(Medium Bronze)

AQL-120-A4  
(Venerable Silver)



## Recessed Uplight **AQL-152**

**A construction and finish for everyone.**

The new AQL-152 Recessed Spot Light is a smaller uplight that packs quite a punch.

Available in both CNC Aluminium and Solid Brass, the AQL-152 is destined to find a place in Aqualux history.



AQL-152-A1  
(Satin Chrome)

AQL-152-A2  
(Black)

AQL-152-A3  
(Medium Bronze)

AQL-152-A4  
(Venerable Silver)

AQL-152-B1  
(Brushed Chrome)

AQL-152-B6  
(Natural Brass)



# Creating the Legend

The new Aqualux **'AQL'** product code is created by choosing options directly related to your fitting. Codes are automatically generated using our **'Configure order code'** filter system and includes a downloadable datasheet, which can be found at [www.aqualux.com.au](http://www.aqualux.com.au)

**Note:** Not all fittings come with every variant displayed here, please check the Aqualux website for product variations

AA	Material	Finish
A0	Aluminium	Custom
A1	Aluminium	Satin Chrome
A2	Aluminium	Black
A3	Aluminium	Medium Bronze
A4	Aluminium	Venerable Silver
A8	Aluminium	White
B0	Brass	Custom
B1	Brass	Brushed Chrome
B2	Brass	Black
B3	Brass	Aged Brass
B4	Brass	Venerable Silver
B5	Brass	Copper
B6	Brass	Natural Brass
B7	Brass	Bronze
B8	Brass	White
C0	Copper	Custom
C1	Copper	Natural Copper
C2	Copper	Black
S0	Stainless 316/304	Custom
S1	Stainless 316	Natural
S2	Stainless 304	Natural
S3	Stainless 316	Black

B	Input Voltage	Dimming	Conductors	Polarity
X	12~24V AC / 24V DC	3-Wire PWM / Non-dimming (as indicated)	2 (Power)	No
D	24V AC	TRIAC / Phase Cut Dimming	2 (Power)	No
C	Constant Current	Control Gear Dependant (DALI/DMX/1-10/PWM)	2 (Power)	Yes
Z	24V DC	4CH PWM Dimming, Common Anode	6 (2 Power / 4 Signal PWM)	Yes
E	24V DC	PWM Dimming	2/4/5 (Power PWM)	Yes
B	24V DC	PWM Dimming, 3-Wire PWM DRV	3 (2 Power / 1 Signal PWM)	Yes
L	24V DC	DALI Dimming, Integral	4 (2 Power / 2 DALI)	Yes
M	MR 16	Lamp Dependant	2 (Power)	No
G	GU10	Lamp Dependant	2 (2 Power)	No
F	240V AC	Control Gear Dependant	3 (2 Power / 1 Earth)	No
H	24V AC / DC	PWM Dimming	2 (Power PWM)	No
J	12V DC	PWM Dimming	2 (Power)	No
K	24V DC	Non Dimming	2 (Power)	Yes

Variations are subject to change without notice.

## AQL-XXX-AA-BCCCDDEEF

DD	White CCT	DD	Colour / Multi
22	2200K	RD	Red
25	2500K	GN	Green
27	2700K	BU	Blue
30	3000K	PK	Pink
35	3500K	AM	Amber
40	4000K	OR	Orange
45	4500K	LY	Lemon Yellow
50	5000K	Z1	RGB
57	5700K	Z2	RGBW (3000K)
60	6000K	Z3	RGBW (2700K)
65	6500K	Z4	RGBW (6500K)
		Z5	DMX RGB
		Z6	DMX RGBW (2700K)
		Z7	RGBA (Amber)

EE	Beam ° FWHM / Distribution
10	10° FWHM
15	15° FWHM
20	20° FWHM
25	25° FWHM
30	30° FWHM
35	35° FWHM
36	36° FWHM
38	38° FWHM
40	40° FWHM
50	50° FWHM
60	60° FWHM
70	70° FWHM
DF	Diffuse Frosted
DC	Diffuse Clear
A1	Asymmetric / Cutoff
A2	Asymmetric / Billie Lens
A3	Wall Wash
O1	Oval 25x50°















CCC	Watts
001	1W
002	2W
003	3W
004	4W
006	6W
007	7W
008	8W
009	9W
010	10W
021	21W
050	50W
100	100W
200	200W
300	300W
400	400W
500	500W
600	600W
800	800W

F	Termination Style
S	Standard Cable (Varies by Product)
Q	AqualuxPLUS QuickConnect
T	Terminal Block

# Neon Flex Feature Guide

With so much flexibility, Neon Flex not only bends to your needs, it comes with a mind boggling number of options. To help choose the right Neon Flex for the project, we've put together a simplified guide.



	AQS-400	AQS-401	AQS-410	AQS-420	AQS-500	AQS-505	AQS-510
Modes	Mono	Mono	RGB	Mono / RGB / RGBW	Mono / RGB / RGBW / DMX	Mono	Mono / RGB / RGBW / DMX
<b>Price</b>	<b>\$'s</b>	<b>\$'s</b>	<b>\$\$'s</b>	<b>\$\$\$'s</b>	<b>\$\$\$'s</b>	<b>\$\$\$'s</b>	<b>\$\$\$'s</b>
Control Gear	Constant Voltage PWM	Constant Voltage PWM	Constant Voltage PWM	Constant Voltage PWM	Constant Voltage PWM / DMX	Constant Voltage PWM	Constant Voltage PWM / DMX
Voltage	24V DC	24V DC	24V DC	24V DC	24V DC	24V DC	24V DC
Watts (per Meter)	5W / 10W Mono	10W - Mono	-	10W - Mono 10W - RGB 10W - RGBW	5W / 8W / 12W - Mono 12W - RGB 17W - RGBW 18W - DMX	10W - Mono	10W - Mono 13W - RGB 17W - RGBW 18W - DMX
Dimensions	10mm W x 9mm H 	10mm W x 10mm H 	13mm W x 12mm H 	12mm W x 20mm H 	11.5mm W x 21mm H 	13.5mm W x 13.5mm H 	16.5mm W x 16.5mm H 
Max Length (Single Powered Feed)	8m	10m	10m	10m - Mono / RGB / RGBW	10m - 12W Mono / RGB 15m - 5W / 8W Mono 8m - 17W RGB / 18W RGBW	10m	10m - Mono / RGB 8m - RGBW / DMX
Max Length (Double Powered Feed)	16m	20m	20m	20m - Mono / RGB / RGBW	20m - 12W Mono / RGB 30m - 5W / 8W Mono 16m - 17W RGB / 18W RGBW	20m	20m - Mono / RGB 16m - RGBW / DMX -
Cut Interval	31mm	36mm	55.5mm	50mm - Mono 66mm - RGB / RGBW	100mm - 12W Mono / RGB 167mm - 5W / 8W Mono 100mm - 17W RGBW 100mm - 18W DMX	83.30mm	83.30mm - Mono / RGB 100mm - RGBW / DMX
Bend Diameter	60mm	80mm	80mm	120mm	80mm	80mm	120mm
Bending Direction	Vertically 	Vertically 	Vertically 	Horizontally 	Horizontally 	Vertically 	Vertically 
IP Rating	IP65	IP65	IP65	IP65	IP68	IP68	IP68
Material	Silicone	Silicone	Silicone	Silicone	Eco PVC	Eco PVC	Eco PVC
Lead Time	Stocked 5 - 7 Days	Stocked 5 - 7 Days	Stocked 5 - 7 Days	Stocked 5 - 7 (Mono) Made to Order 4 - 5 Weeks	Made to Order 4 - 5 Weeks	Made to Order 4 - 5 Weeks	Made to Order 4 - 5 Weeks
Beam Angle	180°	120°	180°	120°	120°	120°	120°

# Neon Flex Feature Guide Continued

We hope you did not think we forgot the CCT options?



	AQS-400	AQS-401	AQS-410	AQS-420	AQS-500	AQS-505	AQS-510
<b>CCT / Lumens</b>							
Red - Mono	-	-	-	-	5W-80lm / 8W-110lm	10W-140lm	10W-120lm
Green - Mono	-	-	-	-	5W-80lm / 12W-200lm	10W-400lm	10W-390lm
Blue - Mono	-	-	-	-	5W-14lm / 12W-35lm	10W-70lm	10W-60lm
Amber - Mono	-	-	-	-	5W-44lm / 8W-100lm	-	10W-90lm
Orange - Mono	-	-	-	-	5W-35lm / 8W-90lm	-	-
Lemon Yellow - Mono	-	-	-	-	12W-250lm	-	-
Pink - Mono	-	-	-	-	5W-60lm / 12W-150lm	-	-
RGB	-	-				-	
RGBW 2700K / DMX 2700K	-	-	-			-	
RGBW 3000K	-	-	-	-		-	-
RGBW 6500K	-	-	-			-	-
2200K - Mono	-	-	-	-	5W-120lm / 12W-280lm	10W-410lm	10W-360lm
2500K - Mono	-	-	-	-	5W-120lm / 12W-280lm	10W-410lm	10W-360lm
2700K - Mono	5W-250lm / 10W-500lm	10W-500lm	-	10W-263lm	5W-120lm / 12W-280lm	10W-410lm	10W-360lm
3000K - Mono	5W-275lm / 10W-550lm	10W-550lm	-	10W-270lm	5W-120lm / 12W-280lm	10W-410lm	10W-360lm
3500K - Mono	-	-	-	-	5W-130lm / 12W-330lm	10W-430lm	10W-370lm
4000K - Mono	5W-290lm / 10W-580lm	10W-580lm	-	10W-285lm	5W-130lm / 12W-330lm	10W-430lm	10W-370lm
4500K - Mono	-	-	-	-	-	10W-460lm	10W-370lm
5000K - Mono	5W-300lm / 10W-600lm	10W-600lm	-	10W-290lm	5W-140lm / 12W-350lm	10W-460lm	10W-400lm
5700K - Mono	-	-	-	-	5W-140lm / 12W-350lm	10W-460lm	10W-400lm
6000K - Mono	5W-310lm / 10W-620lm	10W-620lm	-	10W-290lm	-	-	-
6500K - Mono	-	-	-	-	5W-140lm / 12W-350lm	10W-460lm	10W-400lm
<b>EXTRUSION</b>							
1 Meter	✓	✓	✓	✓	✓	✓	✓
2 Meter	✓	✓	✓	✓	✓	✓	✓
<b>WARRANTY</b>							
2 Year	✓	✓	✓	-	-	-	-
3 Year	-	-	-	✓	✓	✓	✓
5 Year	-	-	-	-	Opt	Opt	Opt

# Spot the difference

What you need to know with our comprehensive Spike Spot Feature Guide.



QUICK GUIDE	AQL-455	AQL-450	HYDRA - AQL-400	PHOENIX - AQL-503	LUMENA - AQL-115
	NEW versatile entry level fitting with latest LED technology.	Mid level fitting with multi-colour output options and optics.	Mid level fitting with multi-colour output options, finishes and optics.	High end fitting with multi-colour output, RGBW options, finishes and optics.	High end fitting with multi-colour, RGBW output options, finishes and optics.
<b>Price</b>	<b>\$'s</b>	<b>\$\$'s</b>	<b>\$\$'s</b>	<b>\$\$\$'s</b>	<b>\$\$\$'s</b>
Light Source	Integrated CREE	MR16 (included) <sup>1</sup>	MR16	MR16 / Intergrated	Integrated CREE
Lumens	500lms	250lms	250lms / 550lms	250lms / 300lms / 550lms	300lms / 550lms
Power	6.5W	4W	4W / 6W	(MR16) 4W / 6W / (Integrated) 7W	4W / 7W
Finishes	Matt Black — — —	Matt Black Brushed Chrome — —	Aged Brass Brushed Chrome Matt Black —	Natural Brass Matt Black Brushed Chrome Aged Brass	Silver Anodised Black Anodised Bronze Anodised Grey Anodised
Material	CNC Aluminium	Cast Brass	Cast Brass	Cast Brass	CNC Aluminium
Lead time	Stocked	Stocked	Stocked	Stocked/10-14 Days Lead Time	Stocked/10-14 Days Lead Time
Input	1m Double Insulated 0.5mm <sup>2</sup>	Twin Core	Twin Core	1m Double Insulated 0.5mm <sup>2</sup>	Aqualux M8 / M12 QC connectors
<b>DETAILED SPECIFICATIONS</b>					
<b>CCT</b>					
Red	—	<sup>2</sup>			
Green	—	<sup>2</sup>			
Blue	—	<sup>2</sup>			
Amber	—	<sup>2</sup>			
2700K	—	—	—		
3000K				Standard	Standard
5700K	—	<sup>2</sup>			
RGBW	—	—	—		
MR16	—	✓	✓	✓ <sup>3</sup>	—
<b>WARRANTY</b>					
2 Year	✓	—	✓	—	—
3 Year	—	—	—	—	—
5 Year	—	✓	✓	✓	✓
<b>OPTICAL</b>					
10°	—	✓ <sup>2</sup>	✓	✓ (MR16 <sup>3</sup> and Integrated)	✓
25°	—	—	—	✓ (Integrated)	✓
38°	✓	✓	✓	✓ (MR16) <sup>3</sup>	—
40°	—	—	—	✓ (Integrated)	✓
60°	—	✓ <sup>2</sup>	✓	✓ (MR16) <sup>3</sup>	—
<b>ACCESSORIES</b>					
Elbow	—	—	✓	—	—
Extension	—	✓ 150mm / 300mm	✓ 150mm / 300mm	✓ 150mm / 300mm	—

# Rural Opulence

DURAL - NSW



The undulating driveway is illuminated with a multitude of AQL-565 runway lights, lighting up the scenic path passing the guest barnhouse to the family homestead.

Sandstone drywalls are fitted with AQL-510 step lights enhancing the stones natural hue's leading to the homesteads grand entrance. AQL-414 and AQL-510 lined the entrance and leads you up the steps to the oversized front door.

Spotted Gums are accented with AQL-910 floodlights bringing out the natural beauty of the gums textures and colours, painting the perfect rural picture.

**PARTNERS**

Cetnaj Electrical

**LOCATION**

Dural, NSW

**PROJECT BRIEF**

AQL-510 Aged Brass  
Wall Lights

AQL-910-Mono 100W  
Flood lights

AQL-414 Aged Brass  
Pathlights

AQL-565-Aged Brass  
Grazing Lights



LumenaPro

The new Lumena Pro range for Architectural and Commercial lighting designers.

High lumen output, durable weather resistance and a multitude of options.

# From the stylobate\* up

Beautifully designed with power to match



\*The stepped platform upon which colonnades of temple columns are placed (it is the floor of the temple).  
The platform was built on a leveling course that flattened out the ground immediately beneath the temple.

## LumenaPro at a glance



AQL-157



AQL-158



AQL-180



AQL-980

Recessed wall washer  
**AQL-157**



**TECHNICAL**

**Product Code** AQL-157 **Product Family** LumenaPro **Mounting** Recessed  
**Construction** Body: CNC Machined AL6061 / Dressring: AL6061 / Brass (Opt) **Electrical** 24V DC  
**Watts** White: 30W **Lumens** White: 2900lm  
**LED / L70** Wall Washer: CREE CXB2530 / 72,600 hrs +  
**CRI (White)** 80 (Std) / 90 (Opt) **IP Rating** IP67 **Warranty** Aqualux 5-year

Finish	Control Gear	Light Source	Optical	Cable
■ Medium Bronze	24V DC Dimming: 3-Wire PWM	■ 30W / 2900lm 3000K / 800mA	Wall washer	AqualuxPLUS QuickConnect
■ Satin Chrome		■ 30W / 2900lm 2700K / 800mA		
■ Matt Black		■ 30W / 2900lm 4000K / 800mA		
■ Venerable Silver		■ 30W / 2900lm 5700K / 800mA		



Specifications subject to change, always check website for the latest details.

Recessed uplight  
**AQL-158**



**TECHNICAL**

**Product Code** AQL-158 **Product Family** LumenaPro **Mounting** Recessed  
**Construction** Body: CNC Machined AL6061 / Dressring: AL6061 / Brass (Opt) **Electrical** 24V DC / RGBW: 24V DC  
**Watts** White: 30W / RGBW: 30W / Single Colour: 21W  
**LED / L70** CREE XHP50 / 72,600 hrs + / RGBW: 10W / 50,000 hrs @ 100%  
**CRI (White)** 80 (Std) / 90 (Opt) **IP Rating** IP67 **Warranty** Aqualux 5-year

Finish	Control Gear	Light Source	Optical	Cable
■ Medium Bronze	24V DC RGBW Dimming: 4CH Low-Side PWM	■ 30W / 1665lm RGB+3000K	Narrow (10°)	AqualuxPLUS QuickConnect
■ Satin Chrome		■ 21W / 480lm Blue 470nm	Medium (25°)	
■ Matt Black	24V DC Dimming: 3-Wire PWM	■ 21W / 840lm Red 630nm	Wide (35°)	
■ Venerable Silver		■ 21W / 1260lm Green 530nm		
		■ 21W / 960lm Amber 585nm		
		■ 30W / 2400lm 3000K / 1300mA		
		■ 30W / 2400lm 2700K / 1300mA		
		■ 30W / 2400lm 4000K / 1300mA		
		■ 30W / 2400lm 5700K / 1300mA		



Specifications subject to change, always check website for the latest details.



Spot Light  
**AQL-180**



**TECHNICAL**

Product Code AQL-180 Product Family LumenaPro Mounting U-Bracket / Screws

Construction CNC Unibody Machined AL6061 / Bracket SS304 Electrical 3000K: 24V AC/DC / RGBW: 24V DC

Watts 3000K: 25W CREE XHP70 / RGBW: 25W TX5050 Lumens 3000K: 2000lm / RGB+6500K: 240 / 380 / 2.8W / 630

LED / L70 White: CREE XHP70 / 72,600 hrs + / RGBW: 20,000 hrs @ 100% CRI (White) 80 (Std) / 90 (Opt) IP Rating IP67

Warranty Aqualux 5-year

Finish	Control Gear	Light Source	Optical	Cable
■ Medium Bronze	24V DC RGBW Dimming: 4CH Low-Side PWM	■ 25W / 2500lm 3000K / 1600mA	Narrow (10°) Medium (25°)	AqualuxPLUS QuickConnect
■ Satin Chrome		■ 25W / 2500lm 4000K / 1600mA	Wide (35°)	
■ Matt Black	24V DC Dimming: PWM 10V Dimming	■ 20W / 1090lm 20W RGB+6500K		
■ Venerable Silver				



Specifications subject to change, always check website for the latest details.

Spot Light  
**AQL-980**



**TECHNICAL**

Product Code AQL-980 Product Family LumenaPro Mounting SS304 Bracket / Twin 10mm Holes

Construction Body: CNC Machined AL6061 / Bracket: SS304 / Powder Coated(Opt) Electrical White: 24V DC / RGBW: 24V DC

Watts White: 50W / RGBW: 50W Lumens RGBW: 700 / 1150 / 225 / 1300 / 3000K: 4000

LED / L70 RGBW: 10W / 50,000 hrs @ 100% / WHITE: CREE XHP50.2 / 72,600 hrs + CRI (White) 80 (Std) / 90 (Opt) IP Rating IP67

Warranty Aqualux 5-year

Finish	Control Gear	Light Source	Optical	Cable
■ Medium Bronze	24V DC RGBW Dimming: 4CH Low-Side PWM	■ 50W / 2775lm RGB+3000K	Narrow (10°) Medium (25°)	AqualuxPLUS QuickConnect
■ Satin Chrome		■ 50W / 4000lm 3000K / 2500mA	Wide (36°)	
■ Matt Black	24V DC Dimming: PWM 10V Dimming	■ 50W / 5350lm 5700K / 2500mA		
■ Venerable Silver				



Specifications subject to change, always check website for the latest details.

# Beauty and Function

LINDFIELD - NSW



In the heart of Lindfield NSW, Envision Landscapes has designed a stunning and functional garden entertaining area with a fire pit and stone seating illuminated with AQS-400 Neon Flex.

Using a combination of AQL-400/410 Hydra spike lights displaying the flora at night and AQL-520 Phoenix step lights to highlight the beautiful dry rock retaining walls and stone pathways. The eerily beautiful feature tree is has been lit with the AQL-910 floodlight, creating beautiful highlights and shadows.

#### **PARTNER**

Reece Irrigation

#### **LOCATION**

Lindfield, NSW

#### **PROJECT BRIEF**

AQL-400 Aged Brass  
AQL-410 Aged Brass  
Pathlights

AQL-520-Aged Brass  
Wall Lights

AQL-910 100W  
Flood Light

AQS-400-Mono  
Neon Flex

Lamp 02 Black Floor Lamp  
Lamp 04 Black Table Lamp  
Lithium Lighting

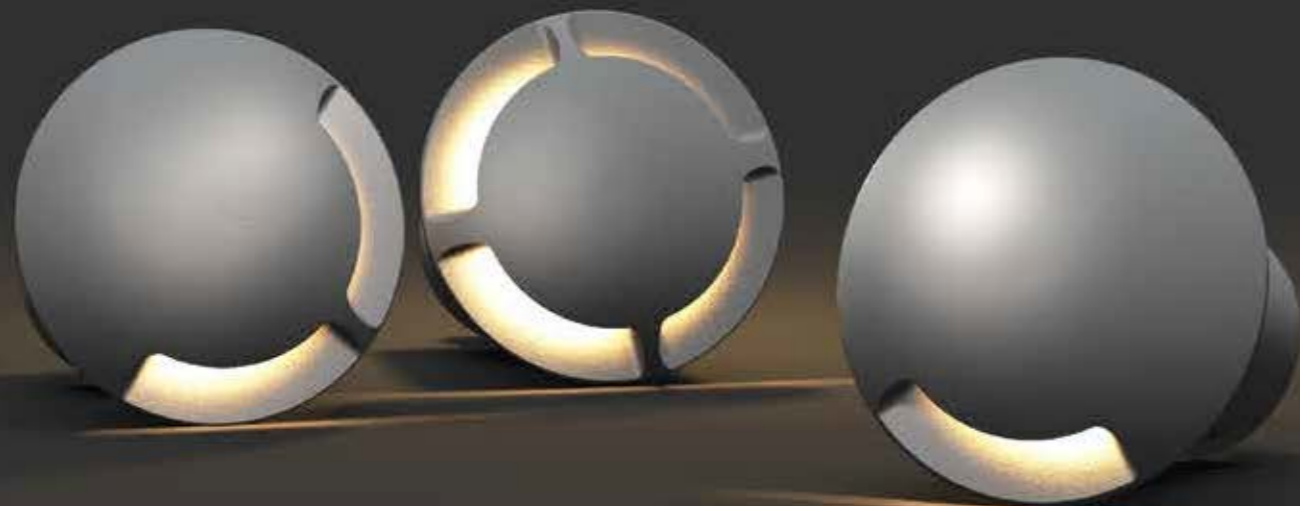


Designed to provide the ultimate in design freedom and quality of workmanship.

Modern landscape design demands modern lighting solutions.

# We've covered all the angles

360°, 180° and 90° beam angles



## Lumena at a glance



For your complete range of codes and finishes refer to our 'Creating the Legend' on pages 14 - 15 or visit [www.aqualux.com.au](http://www.aqualux.com.au)

Spot Light  
**AQL-105**



**TECHNICAL**

Product Code AQL-105 Product Family Lumena Function Spot Light Construction CNC Machined / Anodised 6061  
Electrical SELV 12~24V AC / 24V DC IP Rating IP67 Warranty 5 Year Aqualux Warranty



Finish	Control Gear	Light Source	Optical	Cable
Medium Bronze	12~24V AC / 24V DC	4W / 300lm	Narrow (10°)	AqualuxPLUS
Satin Chrome	Dimming: 3-Wire PWM	3000K / 300mA	Medium (25°)	QuickConnect
Matt Black	24V DC RGBW	7W / 550lm	Wide (40°)	
Venerable Silver	Dimming: 4CH Low-Side PWM	3000K / 550mA		
	24VAC Triac Dimmable	4W / 320lm		
	Dimming: Yes, TRIAC Primary Side	5700K / 300mA		
		7W / 600lm		
		5700K / 550mA		
		10W / 555lm		
		RGB+3000K		
		7W / 160lm		
		Blue 470nm		
		7W / 280lm		
		Red 630nm		
		7W / 420lm		
		Green 530nm		
		7W / 320lm		
		Amber 585nm		



Specifications subject to change, always check website for the latest details.

Pendant Light  
**AQL-108**



**TECHNICAL**

Product Code AQL-108 Product Family Lumena Function Suspended Pendant Light  
Construction CNC Machined / Anodised 6061 Electrical SELV 12~24V AC / 24V DC IP Rating IP67  
Warranty 5 Year Aqualux Warranty Additional 2mm Stainless Steel Suspension Wire



Finish	Control Gear	Light Source	Optical	Cable
Medium Bronze	12~24V AC / 24V DC	4W / 300lm	Narrow (10°)	1M Aqualux PTFE Cable
Satin Chrome	Dimming: No	3000K / 300mA	Medium (25°)	
Matt Black	24V DC RGBW	7W / 550lm	Wide (40°)	
Venerable Silver	Dimming: 4CH Low-Side PWM	3000K / 550mA		
	24VAC Triac Dimmable	4W / 320lm		
	Dimming: Yes, TRIAC Primary Side	5700K / 300mA		
		7W / 600lm		
		5700K / 550mA		
		10W / 555lm		
		RGB+3000K		
		7W / 160lm		
		Blue 470nm		
		7W / 280lm		
		Red 630nm		
		7W / 420lm		
		Green 530nm		
		7W / 320lm		
		Amber 585nm		



Specifications subject to change, always check website for the latest details.

Spot Light  
**AQL-115**



**TECHNICAL**

Product Code AQL-115 Product Family Lumena Function Spot Light Construction CNC Machined / Anodised 6061  
Electrical SELV 12~24V AC / 24V DC IP Rating IP67 Warranty 5 Year Aqualux Warranty



Finish	Control Gear	Light Source	Optical	Cable
Medium Bronze	12~24V AC / 24V DC Dimming: 3-Wire PWM	4W / 300lm 3000K / 300mA	Narrow (10°)	AqualuxPLUS
Satin Chrome	24V DC RGBW Dimming: 4CH	7W / 550lm 3000K / 550mA	Medium (25°)	QuickConnect
Matt Black	Low-Side PWM	4W / 320lm 5700K / 300mA	Wide (40°)	
Venerable Silver	24VAC Triac Dimmable Dimming: Yes, TRIAC Primary Side	7W / 600lm 5700K / 550mA		
		10W / 555lm RGB+3000K		
		7W / 160lm Blue 470nm		
		7W / 280lm Red 630nm		
		7W / 420lm Green 530nm		
		7W / 320lm Amber 585nm		



Specifications subject to change, always check website for the latest details.

Micro Spot Light  
**AQL-116**



**TECHNICAL**

Product Code AQL-116 Product Family Lumena Function Spot Light Construction CNC Machined / Anodised 6061  
Electrical SELV 12~24V AC / 24V DC IP Rating IP67 Warranty 5 Year Aqualux Warranty

Finish	Control Gear	Light Source	Optical	Cable
Medium Bronze	12~24V AC / 24V DC Dimming: 3-Wire PWM	2W / 150lm 3000K / 500mA	Narrow (15°)	AqualuxPLUS
Satin Chrome	24V DC RGBW Dimming: 4CH	2W / 150lm 2700K / 500mA	Medium (30°)	QuickConnect
Matt Black	Low-Side PWM	2W / 150lm 5700K / 500mA	Wide (50°)	
Venerable Silver	24VAC Triac Dimmable Dimming: Yes, TRIAC Primary Side	2W / 80lm Red / 500mA	Flood (70°)	
		2W / 80lm Green / 500mA		
		2W / 80lm Blue / 500mA		



Specifications subject to change, always check website for the latest details.

Path Light  
**AQL-120**



**TECHNICAL**

Product Code AQL-120 Product Family Lumena Function Fixed Pathlight Construction Aluminium + Powder Coat  
Electrical SELV 12~24V AC / 24V DC IP Rating IP67 Warranty 5 Year Aqualux Warranty

Finish	Control Gear	Light Source	Optical	Cable
■ Medium Bronze	12~24V AC / 24V DC Dimming: 3-Wire PWM	■ 4W / 300lm 3000K / 300mA	Narrow (10°)	1M Aqualux PTFE Cable
■ Satin Chrome	24V DC RGBW Dimming: 4CH Low-Side PWM	■ 7W / 550lm 3000K / 550mA	Medium (25°)	AqualuxPLUS QuickConnect
■ Matt Black	24VAC Triac Dimmable Dimming: Yes, TRIAC Primary Side	■ 4W / 320lm 5700K / 300mA	Wide (40°)	
■ Venerable Silver		■ 7W / 600lm 5700K / 550mA		
		■ 10W / 555lm RGB+3000K		
		■ 4W / 300lm 2700K / 300mA		
		■ 7W / 550lm 2700K / 550mA		



Specifications subject to change, always check website for the latest details.

Bollard  
**AQL-130**



**TECHNICAL**

Product Code AQL-130 (Spike) Product Family Lumena Function Path Light Construction CNC Machined / Anodised 6061  
Electrical SELV 12~24V AC / 24V DC IP Rating IP65 Warranty 5 Year Aqualux Warranty

Finish	Control Gear	Light Source	Optical	Cable
■ Satin Chrome	12~24V AC / 24V DC Dimming: 3-Wire PWM	■ 4W / 300lm 3000K / 300mA	Diffuse (Clear)	AqualuxPLUS QuickConnect
■ Matt Black	24VAC Triac Dimmable Dimming: Yes, TRIAC Primary Side			



Specifications subject to change, always check website for the latest details.

Bollard  
**AQL-131**



**TECHNICAL**

Product Code AQL-131 (Surface Mount) Product Family Lumena Function Path Light Construction CNC Machined / Anodised 6061  
Electrical SELV 12~24V AC / 24V DC IP Rating IP65 Warranty 5 Year Aqualux Warranty



Finish	Control Gear	Light Source	Optical	Cable
■ Satin Chrome	12~24V AC / 24V DC Dimming: 3-Wire PWM	4W / 300lm 3000K / 300mA	Diffuse (Clear)	AqualuxPLUS QuickConnect
■ Matt Black	24VAC Triac Dimmable Dimming: Yes, TRIAC Primary Side			



Specifications subject to change, always check website for the latest details.

Spot Light  
**AQL-132**



**TECHNICAL**

Product Code AQL-132 Product Family Lumena Function Spot Light Construction CNC Machined / Anodised 6061  
Electrical SELV - 24V DC ONLY IP Rating IP67 Warranty 5 Year Aqualux Warranty



Finish	Control Gear	Light Source	Optical	Cable
■ Matt Black	24V DC Dimming: 3-Wire PWM	20W 3000K / 1000mA	Wide (38°) Narrow (15°)	AqualuxPLUS QuickConnect



Specifications subject to change, always check website for the latest details.



Bollard  
**AQL-135**



**TECHNICAL**

Product Code AQL-135 Product Family Lumena Function Bollard Construction CNC Machined / Anodised 6061  
Electrical SELV 12~24V AC / 24V DC IP Rating IP65 Warranty 5 Year Aqualux Warranty



Finish	Control Gear	Light Source	Optical	Cable
■ Satin Chrome	12~24V AC / 24V DC Dimming: 3-Wire PWM	4W 3000K / 300mA	Diffuse (Clear)	AqualuxPLUS QuickConnect
■ Matt Black	24VAC Triac Dimmable Dimming: Yes, TRIAC Primary Side			



Specifications subject to change, always check website for the latest details.

Bollard  
**AQL-136**



**TECHNICAL**

Product Code AQL-136 Product Family Lumena Function Bollard Construction CNC Machined / Anodised 6061  
Electrical SELV 12~24V AC / 24V DC IP Rating IP675 Warranty 5 Year Aqualux Warranty



Finish	Control Gear	Light Source	Optical	Cable
■ Satin Chrome	12~24V AC / 24V DC Dimming: 3-Wire PWM	4W 3000K / 300mA	Diffuse (Clear)	AqualuxPLUS QuickConnect
■ Matt Black	24VAC Triac Dimmable Dimming: Yes, TRIAC Primary Side			



Specifications subject to change, always check website for the latest details.

Recessed  
**AQL-151**



**TECHNICAL**

Product Code AQL-151 Product Family Lumena Function Recessed Upright Construction CNC Machined / 6061  
Electrical SELV 12~24V AC / 24V DC IP Rating IP67 Warranty 5 Year Aqualux Warranty

Finish	Control Gear	Light Source	Optical	Cable
■ Satin Chrome	12~24V AC / 24V DC Dimming: 3-Wire PWM	■ 2W / 150lm 3000K / 500mA	Narrow (15°)	AqualuxPLUS QuickConnect
■ Black Aluminium		■ 2W / 150lm 2700K / 500mA	Medium (30°)	
■ Venerable Silver		■ 2W / 150lm 5700K / 500mA	Wide (50°)	Flood (70°)
		■ 2W / 80lm Red / 500mA		
		■ 2W / 80lm Green / 500mA		
		■ 2W / 80lm Blue / 500mA		



Specifications subject to change, always check website for the latest details.

Recessed  
**AQL-152**



**TECHNICAL**

Product Code AQL-152 Product Family Lumena Function Recessed Upright Construction CNC Machined 6061 / Solid Brass  
Electrical SELV 12~24V AC / 24V DC IP Rating IP67 Warranty 5 Year Aqualux Warranty

Finish	Control Gear	Light Source	Optical	Cable
■ Medium Bronze	12~24V AC / 24V DC Dimming: 3-Wire PWM	■ 2W / 150lm 3000K / 500mA	Narrow (15°)	AqualuxPLUS QuickConnect
■ Black Aluminium		■ 2W / 150lm 2700K / 500mA	Medium (30°)	
■ Black Brass		■ 2W / 150lm 5700K / 500mA	Wide (50°)	Flood (70°)
■ Natural Brass		■ 2W / 80lm Red / 500mA		
■ Brushed Chrome		■ 2W / 80lm Green / 500mA		
■ Venerable Silver		■ 2W / 80lm Blue / 500mA		



Specifications subject to change, always check website for the latest details.

Recessed  
**AQL-155**



**TECHNICAL**

Product Code AQL-155 Product Family Lumena Function Recessed Construction CNC Machined / 6061  
Electrical SELV 12~24V AC / 24V DC IP Rating IP67 Warranty 5 Year Aqualux Warranty



Finish	Control Gear	Light Source	Optical	Cable
■ Medium Bronze	12~24V AC / 24V DC Dimming: 3-Wire PWM	■ 4W / 300lm 3000K / 300mA	Narrow (10°)	AqualuxPLUS
■ Satin Chrome	24V DC RGBW Dimming: 4CH	■ 7W / 550lm 3000K / 550mA	Medium (25°)	QuickConnect
■ Matt Black	Low-Side PWM	■ 4W / 320lm 5700K / 300mA	Wide (40°)	
■ Venerable Silver	24VAC Triac Dimmable Dimming: Yes, TRIAC Primary Side	■ 7W / 600lm 5700K / 550mA	Wall Washer / Cut off	
		■ 10W / 555lm RGB+3000K		
		■ 7W / 160lm Blue 470nm		
		■ 7W / 280lm Red 630nm		
		■ 7W / 420lm Green 530nm		
		■ 7W / 320lm Amber 585nm		
		■ 4W / 300lm 2700K 300mA		
		■ 7W / 550lm 2700K 550mA		



Specifications subject to change, always check website for the latest details.

Grazing  
**AQL-163**



**TECHNICAL**

Product Code AQL-163 Product Family Lumena Function Grazing Construction CNC Machined / 6061  
Electrical SELV 12~24V AC / 24V DC IP Rating IP67 Warranty 5 Year Aqualux Warranty

Finish	Control Gear	Light Source	Optical	Cable
■ Medium Bronze	12~24V AC / 24V DC Dimming: 3-Wire PWM	■ 1W / 100lm 3000K / 300mA	Diffuse (Frosted)	AqualuxPLUS
■ Satin Chrome	24V DC RGBW Dimming: 4CH	■ 1W / 100lm 5700K / 300mA	Diffuse (Clear)	QuickConnect
■ Matt Black	Low-Side PWM	■ 1W / 70lm Red 300mA		
■ Venerable Silver		■ 1W / 40lm Blue 300mA		
		■ 1W / 100lm Green 300mA		
		■ 1W / 70lm Amber 300mA		
		■ 5W / 235lm RGB+3000K		



Specifications subject to change, always check website for the latest details.

Grazing  
**AQL-165**



**TECHNICAL**

Product Code AQL-165 Product Family Lumena Function Grazing Construction CNC Machined / 6061  
Electrical SELV 12~24V AC / 24V DC IP Rating IP67 Warranty 5 Year Aqualux Warranty



Finish	Control Gear	Light Source	Optical	Cable
■ Medium Bronze	12~24V AC / 24V DC	■ 2W / 200lm 3000K / 300mA	Diffuse (Frosted)	AqualuxPLUS
■ Satin Chrome	Dimming: 3-Wire PWM		Diffuse (Clear)	QuickConnect
■ Matt Black	24V DC RGBW	■ 2W / 200lm 5700K / 300mA		
■ Venerable Silver	Dimming: 4CH	■ 2W / 140lm Red 300mA		
	Low-Side PWM	■ 2W / 80lm Blue 300mA		
		■ 2W / 200lm Green 300mA		
		■ 2W / 140lm Amber 300mA		
		■ 10W / 470lm RGB+3000K		



Specifications subject to change, always check website for the latest details.

Grazing  
**AQL-166**



**TECHNICAL**

Product Code AQL-166 Product Family Lumena Function Grazing Construction CNC Machined / 6061  
Electrical SELV 12~24V AC / 24V DC IP Rating IP67 Warranty 5 Year Aqualux Warranty



Finish	Control Gear	Light Source	Optical	Cable
■ Medium Bronze	12~24V AC / 24V DC	■ 4W / 400lm 3000K / 300mA	Diffuse (Frosted)	AqualuxPLUS
■ Satin Chrome	Dimming: 3-Wire PWM		Diffuse (Clear)	QuickConnect
■ Matt Black	24V DC RGBW	■ 4W / 400lm 5700K / 300mA		
■ Venerable Silver	Dimming: 4CH	■ 4W / 280lm Red 300mA		
	Low-Side PWM	■ 4W / 160lm Blue 300mA		
		■ 4W / 400lm Green 300mA		
		■ 4W / 280lm Amber 300mA		
		■ 20W / 940lm RGB+3000K		



Specifications subject to change, always check website for the latest details.

Spot Light  
**AQL-175**



**TECHNICAL**

Product Code AQL-175 Product Family Lumena Function Spot Light Construction CNC Machined / 6061  
Electrical SELV 12~24V AC / 24V DC IP Rating IP67 Warranty 5 Year Aqualux Warranty

Finish	Control Gear	Light Source	Optical	Cable
■ Medium Bronze	12~24V AC / 24V DC	■ 4W / 300lm	Narrow (10°)	AqualuxPLUS
■ Satin Chrome	Dimming: 3-Wire PWM	■ 3000K / 300mA	Medium (25°)	QuickConnect
■ Matt Black		■ 4W / 320lm	Wide (40°)	
■ Venerable Silver		■ 5700K / 300mA		



Specifications subject to change, always check website for the latest details.

Spot Light  
**AQL-176**



**TECHNICAL**

Product Code AQL-176 Product Family Lumena Function Spot Light Construction CNC Machined / 6061  
Electrical 24V DC IP Rating IP67 Warranty 5 Year Aqualux Warranty

Finish	Control Gear	Light Source	Optical	Cable
■ Medium Bronze	24V DC	■ 11W / 1200lm	Diffuse Frosted (DF)	AqualuxPLUS
■ Satin Chrome	Dimming: No	■ 3000K		QuickConnect
■ Matt Black		■ 11W / 1300lm		
■ Venerable Silver		■ 5700K		



Specifications subject to change, always check website for the latest details.

Recessed  
**AQL-195**



**TECHNICAL**

Product Code AQL-195 Product Family Lumena Function Recessed Construction CNC Machined 6061  
Electrical SELV 12~24V AC / 24V DC IP Rating IP67 Warranty 5 Year Aqualux Warranty



Finish	Control Gear	Light Source	Optical	Cable
■ Medium Bronze	12~24V AC / 24V DC Dimming: No	■ 1W / 100lm 3000K / 300mA	Diffuse (Frosted)	Aqualux Cable (1m Std)
■ Satin Chrome		■ 1W / 100lm 5700K / 300mA		
■ Matt Black		■ 1W / 70lm Red 300mA		
■ Venerable Silver		■ 1W / 40lm Blue 300mA		
		■ 1W / 100lm Green 300mA		
		■ 1W / 70lm Amber 300mA		



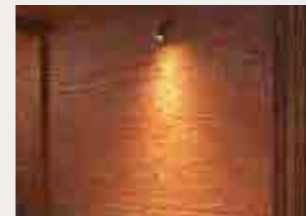
Specifications subject to change, always check website for the latest details.

Spot Light  
**AQL-220**



**TECHNICAL**

Product Code AQL-220 Product Family Lumena Function Spot Light Construction CNC Machined 6061  
Electrical SELV 12~24V AC / 24V DC IP Rating IP67 Warranty 5 Year Aqualux Warranty Additional RGBW Option Available



Finish	Control Gear	Light Source	Optical	Cable
■ Medium Bronze	12~24V AC / 24V DC Dimming: No	■ 4W / 300lm 3000K / 300mA	Narrow (10°)	AqualuxPLUS QuickConnect
■ Satin Chrome		■ 7W / 550lm 3000K / 550mA	Medium (25°)	
■ Matt Black	24V DC RGBW Dimming: 4CH Low-Side PWM	■ 7W / 550lm 3000K / 550mA	Wide (40°)	
■ Venerable Silver				
	■ 7W / 600lm 5700K / 550mA			
	■ 10W / 555lm RGB+3000K			
	■ 7W / 160lm Blue 470nm			
	■ 7W / 280lm Red 630nm			
	■ 7W / 420lm Green 530nm			
	■ 7W / 320lm Amber 585nm			



Specifications subject to change, always check website for the latest details.

# Festive Features

BRIGHTON - VIC



Halloween and Christmas are at the top of the list when it comes to festive feature lighting that lasts. Changing colours highlighting the garden and water feature create a fun entrance setting the mood for the scariest Halloween or the warmest Christmas.

**PARTNER**  
Illuminated

**LOCATION**  
Brighton, VIC

**PROJECT BRIEF**  
AQL-115 RGBW  
Front Garden

AQL-415-AB  
Water Feature

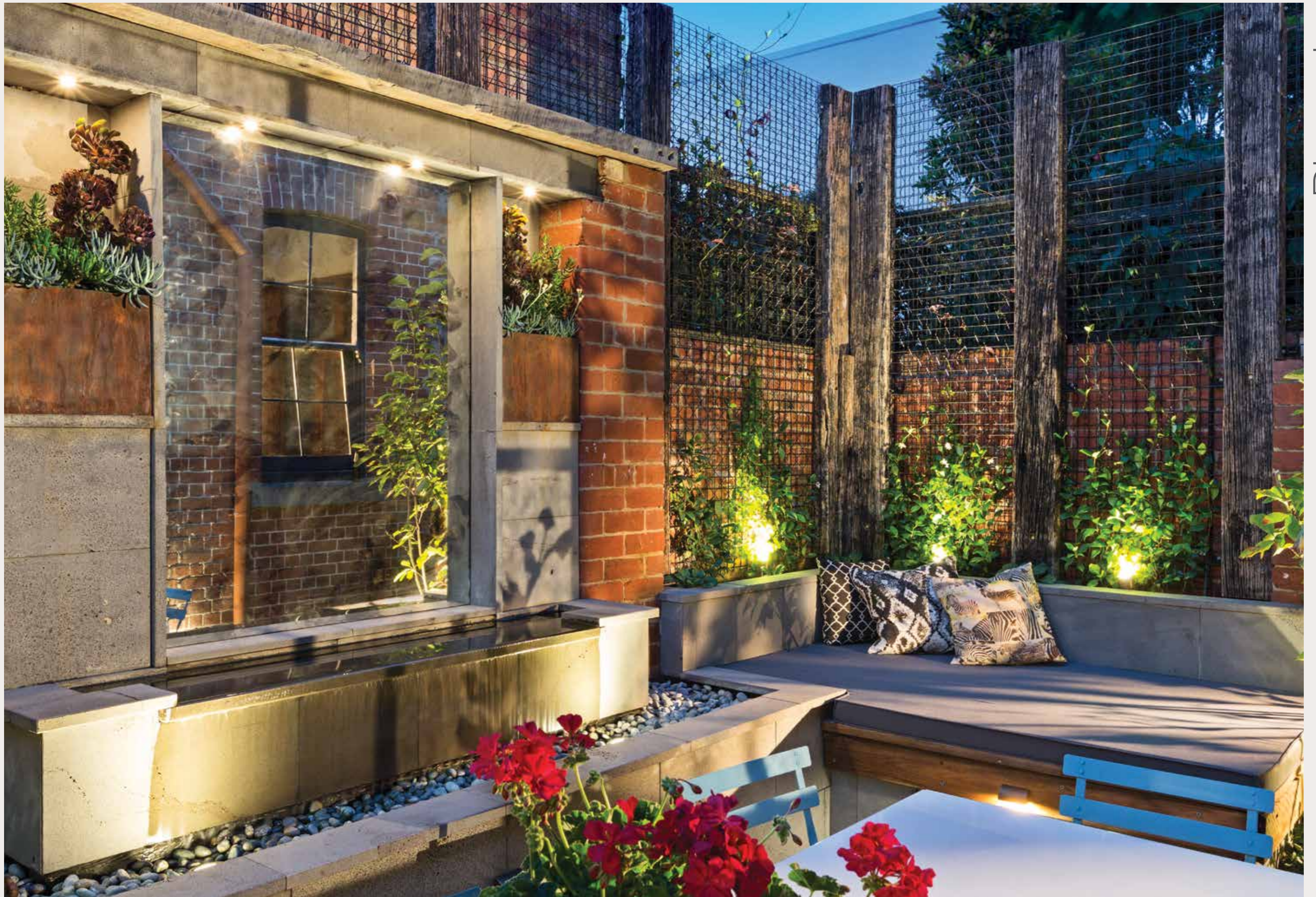
AQS-400-2700K  
Front Steps

AQL-155  
Rear Deck

AQS-500-RGBW  
Rear Deck Edging

AQL-166-Mono  
Entry Pathway

UX8 Colour Control Panel



Created from solid cast Brass with durable, long-lasting coatings.

Timeless luminaire design for today's and tomorrow's landscapes.



# CNC machined from solid brass

Optional Gold Plating

## Phoenix at a glance



AQL-503



AQL-510



AQL-520



AQL-530



AQL-540



AQL-565



AUL-03



AUL-04



Spot Light  
**AQL-503**



**TECHNICAL**

**Product Code** AQL-503 **Product Family** Phoenix **Function** Spot Light **Construction** Solid Cast Brass  
**Electrical** SELV 12~24V AC / DC or GX5.3 Drop-In **IP Rating** IP65 **Warranty** 5 Year Aqualux Warranty  
**Additional** 300mm & 600mm Riser Poles Available



Finish	Control Gear	Light Source	Optical	Cable
■ Matt Black	12~24V AC / 24V DC Dimming: 3-Wire PWM	4W / 300lm 3000K / 300mA	Narrow (10°)	1M Aqualux PTFE Cable
■ Natural Brass			Medium (25°)	AqualuxPLUS
■ Copper	24V DC RGBW Dimming: 4CH Low-Side PWM	7W / 550lm 3000K / 550mA	Wide (40°)	QuickConnect
□ Brushed Chrome		4W / 320lm 5700K / 300mA		
■ Aged Brass	MR16 Dimming: Lamp Dependant	7W / 600lm 5700K / 550mA		
		10W / 555lm RGB+3000K		
		7W / 160lm Blue / 470nm		
		7W / 280lm Red / 630nm		
		7W / 420lm Green / 530nm		
		7W / 320lm Amber / 585nm		
		4W / 300lm 2700K / 300mA		
		7W / 550lm 2700K / 550mA		



Specifications subject to change, always check website for the latest details.

Wall Mounted  
**AQL-510**



**TECHNICAL**

**Product Code** AQL-510 **Product Family** Phoenix **Function** Wall Mounteds **Construction** Solid Cast Brass  
**Electrical** SELV 12~24V AC / DC **IP Rating** IP65 **Warranty** 5 Year Aqualux Warranty

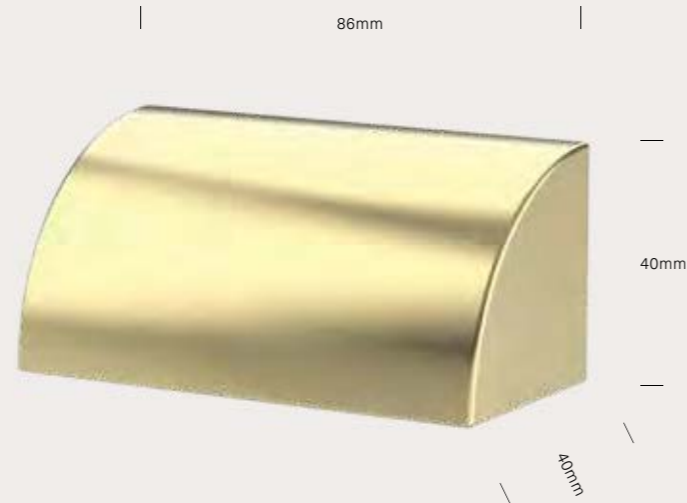


Finish	Control Gear	Light Source	Optical	Cable
■ Matt Black	12~24V AC / 24V DC Dimming: 3-Wire PWM	4W / 400lm 3000K / 500mA	Diffuse (Frosted)	Aqualux Cable (1M Std)
■ Natural Brass				
■ Copper		4W / 400lm 5700K / 500mA		
□ Brushed Chrome				
■ Aged Brass				



Specifications subject to change, always check website for the latest details.

Wall Mounted  
**AQL-520**



**TECHNICAL**

Product Code AQL-520 Product Family Phoenix Mounting Wall Mounted Construction Solid Cast Brass  
Electrical SELV 12~24V AC / DC IP Rating IP65 Warranty 5 Year Aqualux Warranty



Finish	Control Gear	Light Source	Optical	Cable
■ Matt Black	12~24V AC / 24V DC	4W / 400lm 3000K / 500mA	Diffuse (Frosted)	Aqualux Cable (1M Std)
■ Natural Brass	Dimming: 3-Wire PWM	4W / 400lm 5700K / 500mA		
■ Copper				
□ Brushed Chrome				
■ Aged Brass				



Specifications subject to change, always check website for the latest details.

Recessed  
**AQL-530**



**TECHNICAL**

Product Code AQL-530 Product Family Phoenix Function Recessed Construction Solid CN C Brass  
Electrical SELV 12~24V AC / DC IP Rating IP68 Warranty 5 Year Aqualux Warranty



Finish	Control Gear	Light Source	Optical	Cable
■ Matt Black	12~24V AC / 24V DC	4W / 300lm 3000K / 300mA	Narrow (10°)	AqualuxPLUS QuickConnect (1M)
■ Natural Brass	Dimming: 3-Wire PWM	7W / 550lm 3000K / 550mA	Medium (25°)	
■ Copper	24V DC RGBW Dimming: 4CH Low-Side PWM	4W / 320lm 5700K / 300mA	Wide (40°)	
□ Brushed Chrome		7W / 600lm 5700K / 550mA	Wall Washer / Cut off	
■ Aged Brass	24VAC Triac Dimmable Dimming: Yes, TRIAC Primary Side	10W / 555lm RGB+3000K		
		7W / 160lm Blue 470nm		
		7W / 280lm Red 630nm		
		7W / 420lm Green 530nm		
		7W / 320lm Amber 585nm		
		4W / 300lm 2700K / 300mA		
		7W / 550lm 2700K / 550mA		



Specifications subject to change, always check website for the latest details.

Spot Light  
**AQL-540**



**TECHNICAL**

Product Code AQL-540 Product Family Phoenix Function Spot Light Construction Solid CNC Brass  
Electrical SELV 12~24V AC / DC IP Rating IP68 Warranty 5 Year Aqualux Warranty



Finish	Control Gear	Light Source	Optical	Cable
■ Matt Black	12~24V AC / 24V DC	4W / 300lm	Narrow (10°)	5m Aqualux Cable
■ Natural Brass	Dimming: 3-Wire PWM	3000K / 300mA	Medium (25°)	
■ Copper	24V DC RGBW	7W / 550lm	Wide (40°)	
□ Brushed Chrome	Dimming: 4CH Low-Side PWM	3000K / 550mA	Diffuse (Frosted)	
■ Aged Brass	24VAC Triac Dimmable	4W / 320lm		
	Dimming: Yes, TRIAC	5700K / 300mA		
	Primary Side	7W / 600lm		
		5700K / 550mA		
		10W / 555lm		
		RGB+3000K		
		7W / 160lm		
		Blue / 470nm		
		7W / 280lm		
		Red / 630nm		
		7W / 420lm		
		Green / 530nm		
		7W / 320lm		
		Amber / 585nm		
		4W / 300lm		
		2700K / 300mA		
		7W / 550lm		
		2700K / 550mA		



Specifications subject to change, always check website for the latest details.

Grazing  
**AQL-565**



**TECHNICAL**

Product Code AQL-565 Product Family Phoenix Function Grazing Construction Solid Cast Brass Electrical SELV 24V DC  
IP Rating IP67 Warranty 5 Year Aqualux Warranty Additional AqualuxPLUS Option



Finish	Control Gear	Light Source	Optical	Cable
■ Matt Black	24V DC	8W / 600lm	Diffuse (Frosted)	AqualuxPLUS QuickConnect (1M)
■ Natural Brass	Dimming: 3-Wire PWM	3000K / 300mA		
■ Copper				
□ Brushed Chrome				
■ Aged Brass				



Specifications subject to change, always check website for the latest details.

Recessed  
**AUL-03**



**TECHNICAL**

Product Code AUL-03 Product Family Phoenix Function Recessed Construction Solid CNC Brass / SS316  
Electrical MR16 SELV IP Rating IP65 Warranty 5 Year Aqualux Warranty



Finish	Control Gear	Cable
<input type="checkbox"/> Brushed Chrome	MR16	Figure 8 Twin Core
<input type="checkbox"/> Copper	Dimming: Lamp Dependant	
<input type="checkbox"/> Black Powder Coat		
<input type="checkbox"/> Aged Brass		
<input type="checkbox"/> Natural Brass		



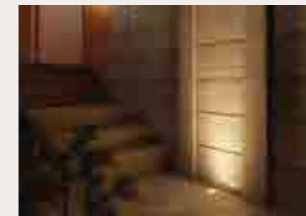
Specifications subject to change, always check website for the latest details.

Recessed  
**AUL-04**



**TECHNICAL**

Product Code AUL-04 Product Family Phoenix Function Recessed Construction Solid CNC Brass / SS316  
Electrical MR16 SELV IP Rating IP65 Warranty 5 Year Aqualux Warranty



Finish	Control Gear	Cable
<input type="checkbox"/> Brushed Chrome	MR16	Figure 8 Twin Core
<input type="checkbox"/> Copper	Dimming: Lamp Dependant	
<input type="checkbox"/> Black Powder Coat		
<input type="checkbox"/> Aged Brass		
<input type="checkbox"/> Natural Brass		



Specifications subject to change, always check website for the latest details.

Alencia wedding  
receptions and function  
space  
DANDENONG SOUTH - VIC



**CUSTOMER**

Alencia wedding reception  
and function space

**LOCATION**

Dandenong South, Melbourne

**PROJECT BRIEF**

Redevelopment project  
(was 10 pin bowling)  
Aqualux Lighting were contacted  
to assist with back lighting the  
exterior panels

Wiring and technical (DMX)  
interface with CBus system  
AQL 910/50W RGBW x 34 units



# Hydra

**The Hydra range is constructed around the best-selling AQL-400 Spotlight.**

Our largest range will give your clients the versatility to develop the perfect landscape lighting project.

# 8 watts of twin turbo power

Solid brass, black powder coated path light



## Hydra at a glance



For your complete range of codes and finishes refer to our 'Creating the Legend' on pages 14 - 15 or visit [www.aqualux.com.au](http://www.aqualux.com.au)



Spot Light  
**AQL-400**



**TECHNICAL**

**Product Code** AQL-400 **Product Family** Hydra **Function** Spot Light **Construction** Solid Cast & CNC Machined Brass  
**Electrical** GX5.3 MR16 Lamp **IP Rating** IP65 **Warranty** 3 Year Aqualux Warranty  
**Additional** Use with AGL-250/550 LED Lamps



Finish	Control Gear	Cable
<input checked="" type="checkbox"/> Aged Brass	MR16	Aqualux Cable (1m Std)
<input checked="" type="checkbox"/> Matt Black	Dimming: Lamp Dependant	
<input type="checkbox"/> Brushed Chrome		



Specifications subject to change, always check website for the latest details.

Spot Light  
**AQL-401**



**TECHNICAL**

**Product Code** AQL-401 **Product Family** Hydra **Function** Spot Light **Construction** Solid Cast & CNC Machined Brass  
**Electrical** GX5.3 MR16 Lamp **IP Rating** IP65 **Warranty** 3 Year Aqualux Warranty  
**Additional** Use with AGL-250/550 LED Lamps

Finish	Control Gear	Cable
<input checked="" type="checkbox"/> Aged Brass	MR16	Aqualux Cable (1m Std)
<input checked="" type="checkbox"/> Matt Black	Dimming: Lamp Dependant	
<input type="checkbox"/> Brushed Chrome		



Specifications subject to change, always check website for the latest details.

Twin Spot Light  
**AQL-402**



**TECHNICAL**

**Product Code** AQL-402 **Product Family** Hydra **Function** Twin Spot Light **Construction** Solid Cast & CNC Machined Brass  
**Electrical** GX5.3 MR16 Lamp **IP Rating** IP65 **Warranty** 3 Year Aqualux Warranty  
**Additional** Use with AGL-250/550 LED Lamps



Finish	Control Gear	Cable
<input checked="" type="checkbox"/> Aged Brass	MR16	Aqualux Cable (1m Std)
<input checked="" type="checkbox"/> Matt Black	Dimming: Lamp Dependant	
<input type="checkbox"/> Brushed Chrome		

Path Light  
**AQL-403**



**TECHNICAL**

**Product Code** AQL-403 **Product Family** Hydra **Function** Path Light **Construction** Solid Cast & CNC Machined Brass  
**Electrical** GX5.3 MR16 Lamp **IP Rating** IP65 **Warranty** 3 Year Aqualux Warranty  
**Additional** Use with AGL-250/550 LED Lamps



Finish	Control Gear	Cable
<input checked="" type="checkbox"/> Aged Brass	MR16	Aqualux Cable (1m Std)
<input checked="" type="checkbox"/> Matt Black	Dimming: Lamp Dependant	
<input type="checkbox"/> Brushed Chrome		



Specifications subject to change, always check website for the latest details.



Specifications subject to change, always check website for the latest details.

Path Light  
**AQL-404**



**TECHNICAL**

**Product Code** AQL-404 **Product Family** Hydra **Function** Path Light **Construction** Solid Cast & CNC Machined Brass  
**Electrical** GX5.3 MR16 Lamp **IP Rating** IP65 **Warranty** 3 Year Aqualux Warranty  
**Additional** Use with AGL-250/550 LED Lamps



Finish	Control Gear	Cable
<input checked="" type="checkbox"/> Aged Brass	MR16	Aqualux Cable (1m Std)
<input checked="" type="checkbox"/> Matt Black	Dimming: Lamp Dependant	
<input type="checkbox"/> Brushed Chrome		



Specifications subject to change, always check website for the latest details.

Path Light  
**AQL-405**



**TECHNICAL**

**Product Code** AQL-405 **Product Family** Hydra **Function** Path Light **Construction** Solid Cast & CNC Machined Brass  
**Electrical** GX5.3 MR16 Lamp **IP Rating** IP65 **Warranty** 3 Year Aqualux Warranty  
**Additional** Use with AGL-250/550 LED Lamps



Finish	Control Gear	Cable
<input checked="" type="checkbox"/> Aged Brass	MR16	Aqualux Cable (1m Std)
<input checked="" type="checkbox"/> Matt Black	Dimming: Lamp Dependant	
<input type="checkbox"/> Brushed Chrome		



Specifications subject to change, always check website for the latest details.

Path Light  
**AQL-406**



**TECHNICAL**

**Product Code** AQL-406 **Product Family** Hydra **Function** Path Light **Construction** Solid Cast & CNC Machined Brass  
**Electrical** GX5.3 MR16 Lamp **IP Rating** IP65 **Warranty** 3 Year Aqualux Warranty  
**Additional** Use with AGL-250/550 LED Lamps



Finish	Control Gear	Cable
<input checked="" type="checkbox"/> Aged Brass	MR16	Aqualux Cable (1m Std)
<input checked="" type="checkbox"/> Matt Black	Dimming: Lamp Dependant	
<input type="checkbox"/> Brushed Chrome		



Specifications subject to change, always check website for the latest details.

Path Light  
**AQL-407**



**TECHNICAL**

**Product Code** AQL-407 **Product Family** Hydra **Function** Path Light **Construction** Solid Cast & CNC Machined Brass  
**Electrical** GX5.3 MR16 Lamp **IP Rating** IP65 **Warranty** 3 Year Aqualux Warranty  
**Additional** Use with AGL-250/550 LED Lamps



Finish	Control Gear	Cable
<input checked="" type="checkbox"/> Aged Brass	MR16	Aqualux Cable (1m Std)
<input checked="" type="checkbox"/> Matt Black	Dimming: Lamp Dependant	
<input type="checkbox"/> Brushed Chrome		



Specifications subject to change, always check website for the latest details.

Path Light  
**AQL-408**



**TECHNICAL**

**Product Code** AQL-408 **Product Family** Hydra **Function** Path Light **Construction** Solid Cast & CNC Machined Brass  
**Electrical** GX5.3 MR16 Lamp **IP Rating** IP65 **Warranty** 3 Year Aqualux Warranty  
**Additional** Use with AGL-250/550 LED Lamps



Finish	Control Gear	Cable
<input checked="" type="checkbox"/> Aged Brass	MR16	Aqualux Cable (1m Std)
<input checked="" type="checkbox"/> Matt Black	Dimming: Lamp Dependant	
<input type="checkbox"/> Brushed Chrome		



Specifications subject to change, always check website for the latest details.

Path Light  
**AQL-409**



**TECHNICAL**

**Product Code** AQL-409 **Product Family** Hydra **Function** Path Light **Construction** Solid Cast & CNC Machined Brass  
**Electrical** GX5.3 MR16 Lamp **IP Rating** IP65 **Warranty** 3 Year Aqualux Warranty  
**Additional** Use with AGL-250/550 LED Lamps



Finish	Control Gear	Cable
<input checked="" type="checkbox"/> Aged Brass	MR16	Aqualux Cable (1m Std)
<input checked="" type="checkbox"/> Matt Black	Dimming: Lamp Dependant	
<input type="checkbox"/> Brushed Chrome		



Specifications subject to change, always check website for the latest details.

Path Light  
**AQL-410**



**TECHNICAL**

**Product Code** AQL-410 **Product Family** Hydra **Function** Path Light **Construction** Solid Cast & CNC Machined Brass  
**Electrical** GX5.3 MR16 Lamp **IP Rating** IP65 **Warranty** 3 Year Aqualux Warranty  
**Additional** Use with AGL-250/550 LED Lamps



Finish	Control Gear	Cable
<input checked="" type="checkbox"/> Aged Brass	MR16	Aqualux Cable (1m Std)
<input checked="" type="checkbox"/> Matt Black	Dimming: Lamp Dependant	
<input type="checkbox"/> Brushed Chrome		



Specifications subject to change, always check website for the latest details.

Path Light  
**AQL-411**



**TECHNICAL**

**Product Code** AQL-411 **Product Family** Hydra **Function** Path Light **Construction** Solid Cast & CNC Machined Brass  
**Electrical** GX5.3 MR16 Lamp **IP Rating** IP65 **Warranty** 3 Year Aqualux Warranty  
**Additional** Use with AGL-250/550 LED Lamps



Finish	Control Gear	Cable
<input checked="" type="checkbox"/> Aged Brass	MR16	Aqualux Cable (1m Std)
<input checked="" type="checkbox"/> Matt Black	Dimming: Lamp Dependant	
<input type="checkbox"/> Brushed Chrome		



Specifications subject to change, always check website for the latest details.

Path Light  
**AQL-412**



**TECHNICAL**

**Product Code** AQL-412 **Product Family** Hydra **Function** Path Light **Construction** Solid Cast & CNC Machined Brass  
**Electrical** GX5.3 MR16 Lamp **IP Rating** IP65 **Warranty** 3 Year Aqualux Warranty  
**Additional** Use with AGL-250/550 LED Lamps



Finish	Control Gear	Cable
<input checked="" type="checkbox"/> Aged Brass	MR16	Aqualux Cable (1m Std)
<input checked="" type="checkbox"/> Matt Black	Dimming: Lamp Dependant	
<input type="checkbox"/> Brushed Chrome		



Specifications subject to change, always check website for the latest details.

Path Light  
**AQL-413**



**TECHNICAL**

**Product Code** AQL-413 **Product Family** Hydra **Function** Path Light **Construction** Solid Cast & CNC Machined Brass  
**Electrical** GX5.3 MR16 Lamp **IP Rating** IP65 **Warranty** 3 Year Aqualux Warranty  
**Additional** Use with AGL-250/550 LED Lamps



Finish	Control Gear	Cable
<input checked="" type="checkbox"/> Aged Brass	MR16	Aqualux Cable (1m Std)
<input checked="" type="checkbox"/> Matt Black	Dimming: Lamp Dependant	
<input type="checkbox"/> Brushed Chrome		



Specifications subject to change, always check website for the latest details.

Path Light  
**AQL-414**



**TECHNICAL**

Product Code AQL-414 Product Family Hydra Function Path Light Construction Solid Cast & CNC Machined Brass  
 Electrical GX5.3 MR16 Lamp IP Rating IP65 Warranty 3 Year Aqualux Warranty  
 Additional Use with AGL-250/550 LED Lamps



Finish	Control Gear	Cable
<input checked="" type="checkbox"/> Aged Brass	MR16	Aqualux Cable (1m Std)
<input checked="" type="checkbox"/> Matt Black	Dimming: Lamp Dependant	
<input type="checkbox"/> Brushed Chrome		



Specifications subject to change, always check website for the latest details.

Pond Light  
**AQL-415**



**TECHNICAL**

Product Code AQL-415 Product Family Hydra Function Pond Light Construction Solid Cast Brass  
 Electrical GX5.3 MR16 Lamp IP Rating IP68 Warranty 3 Year Aqualux Warranty Additional Extended Lead Option



Finish	Control Gear	Cable
<input checked="" type="checkbox"/> Aged Brass	MR16	Aqualux Cable (5m Std)
<input checked="" type="checkbox"/> Matt Black	Dimming: Lamp Dependant	
<input type="checkbox"/> Brushed Chrome		



Specifications subject to change, always check website for the latest details.



Path Light  
**AQL-416**



**TECHNICAL**

Product Code AQL-416 Product Family Hydra Function Path Light Construction Solid Cast & CNC Machined Brass  
Electrical 12~24V AC / 24V DC IP Rating IP65 Warranty 3 Year Aqualux Warranty



Finish	Control Gear	Light Source	Optical	Cable
<input checked="" type="checkbox"/> Aged Brass	12~24V AC / 24V DC	<input checked="" type="checkbox"/> 7W / 360lm	Diffuse (Frosted)	Aqualux Cable (1M Std)
<input checked="" type="checkbox"/> Matt Black	Dimming: No	3000K		
<input type="checkbox"/> Brushed Chrome				



Specifications subject to change, always check website for the latest details.

Wall Mounted  
**AQL-417**



**TECHNICAL**

Product Code AQL-417 Product Family Hydra Function Wall Mounted Construction Solid Cast Brass  
Electrical 12~24V AC / 24V DC / Dimming: No / 4W / 400lm / 3000K / 320mA IP Rating IP65 Warranty 3 Year Aqualux Warranty



Finish	Control Gear	Light Source	Optical	Cable
<input checked="" type="checkbox"/> Aged Brass	12~24V AC / 24V DC	<input checked="" type="checkbox"/> 4W / 400lm	Diffuse (Frosted)	Aqualux Cable (1m Std)
<input checked="" type="checkbox"/> Matt Black	Dimming: No	3000K / 320mA		
<input type="checkbox"/> Brushed Chrome				



Specifications subject to change, always check website for the latest details.

Wall Mounted  
**AQL-418**



**TECHNICAL**

Product Code AQL-418 Product Family Hydra Function Wall Mounted Construction Solid Cast Brass  
Electrical 12~24V AC / 24V DC IP Rating IP65 Warranty 3 Year Aqualux Warranty



Finish	Control Gear	Light Source	Optical	Cable
<input checked="" type="checkbox"/> Aged Brass	12~24V AC / 24V DC	<input checked="" type="checkbox"/> 2W / 100lm	Diffuse (Frosted)	Aqualux Cable (1m Std)
<input checked="" type="checkbox"/> Matt Black	Dimming: No	3000K / 300mA		
<input type="checkbox"/> Brushed Chrome				



Specifications subject to change, always check website for the latest details.

Wall Mounted  
**AQL-419**



**TECHNICAL**

Product Code AQL-419 Product Family Hydra Function Wall Mounted Construction Solid Cast Brass  
Electrical Integrated 12~24V DC/DC IP Rating IP65 Warranty 3 Year Aqualux Warranty



Finish	Control Gear	Light Source	Optical	Cable
<input checked="" type="checkbox"/> Aged Brass	12~24V AC / 24V DC	<input checked="" type="checkbox"/> 2W / 100lm	Diffuse (Clear)	Aqualux Cable (1m Std)
<input checked="" type="checkbox"/> Matt Black	Dimming: No	3000K / 320mA		
<input type="checkbox"/> Brushed Chrome				



Specifications subject to change, always check website for the latest details.

Wall Mounted  
**AQL-420**



**TECHNICAL**

Product Code AQL-420 Product Family Hydra Function Wall Mounted Construction Solid Cast Brass  
Electrical SELV 12 / 24V AC/DC / LED IP Rating IP65 Warranty 3 year Aqualux Warranty



Finish	Control Gear	Light Source	Optical	Cable
<input checked="" type="checkbox"/> Aged Brass	12 / 24V AC/DC	<input checked="" type="checkbox"/> 7W	Diffuse (Frosted)	Aqualux Cable (1m Std)
<input checked="" type="checkbox"/> Matt Black	Dimming: No	<input type="checkbox"/> 3000K		
<input type="checkbox"/> Brushed Chrome				



Specifications subject to change, always check website for the latest details.

Turbo Spike  
**AQL-450**



**TECHNICAL**

Product Code AQL-450 Product Family Hydra Function Path Light Construction Solid Cast Brass  
Electrical Included 4W LED Globe IP Rating IP65 Warranty 5 Year Aqualux Warranty



Finish	Control Gear	Cable
<input type="checkbox"/> Brushed Chrome	MR16	Aqualux Cable (1m Std)
<input checked="" type="checkbox"/> Black Powder Coat	Dimming: Lamp Dependant	



Specifications subject to change, always check website for the latest details.

Turbo Path Light  
**AQL-451**



**TECHNICAL**

**Product Code** AQL-451 **Product Family** Hydra **Function** Path Light **Construction** Solid Cast Brass  
**Electrical** Included 2 x 4W LED Globe **IP Rating** IP65 **Warranty** 5 Year Aqualux Warranty

Finish	Control Gear	Cable
<input type="checkbox"/> Brushed Chrome	MR16	Aqualux Cable (1m Std)
<input checked="" type="checkbox"/> Black Powder Coat	Dimming: Lamp Dependant	



Specifications subject to change, always check website for the latest details.

Turbo Path Light  
**AQL-452**



**TECHNICAL**

**Product Code** AQL-452 **Product Family** Hydra **Function** Path Light **Construction** Solid Cast Brass  
**Electrical** Included 1 x 4W LED Globe **IP Rating** IP65 **Warranty** 5 Year Aqualux Warranty

Finish	Control Gear	Cable
<input type="checkbox"/> Brushed Chrome	MR16	Aqualux Cable (1m Std)
<input checked="" type="checkbox"/> Black Powder Coat	Dimming: Lamp Dependant	



Specifications subject to change, always check website for the latest details.

Eco Spike  
**AQL-455**



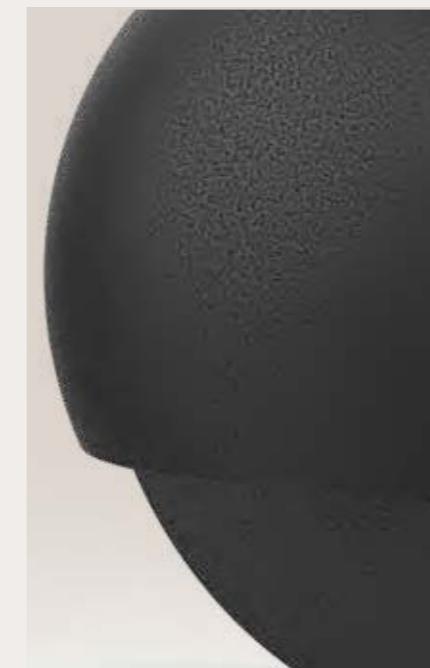
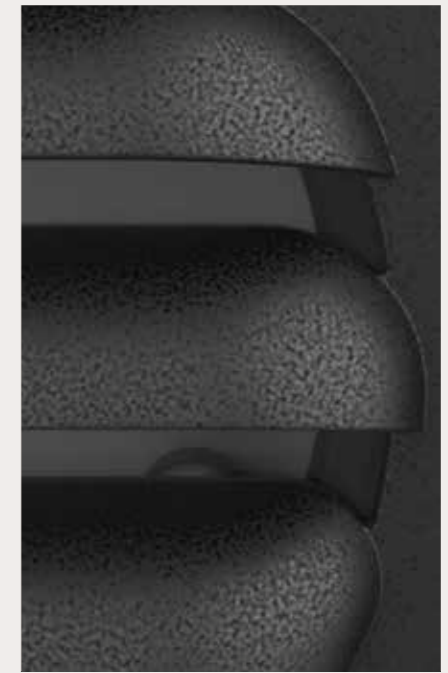
**TECHNICAL**

**Product Code** AQL-455 **Product Family** Hydra **Function** Path Light **Construction** CNC Machined Aluminium  
**Electrical** 12 ~ 24V AC / 24V DC Integrated 6W 3000K CREE LED Chip **IP Rating** IP65  
**Warranty** 2 Year Aqualux Warranty

Finish	Control Gear	Light Source	Optical	Cable
■ Black Powder Coat	12~24V AC / 24V DC Dimming: No	■ 6W / 400lm 3000K / 60mA	Wide (38°)	Aqualux Cable (1m Std)



Specifications subject to change, always check website for the latest details.



# Paddington Entrance

PADDINGTON - QLD



"The lighting design played a huge part in our water feature winning its category in the 2018 Qld Landscape Awards. The planning and vision made this a special part of our outdoor environment. When it comes to lighting it's incredible what Aqualux can do!"

*Glen Alexander G & P Alexander Pty Ltd Builders.*

## WINNER

'Best Residential Landscape Feature' at 2018 Landscape Queensland awards night.

## PARTNER

Crystal Palace Lighting  
Design Instincts  
Landscape Architects

## LOCATION

Paddington, QLD

## PROJECT BRIEF

Individually controlled  
AQS-500-24-RGB Neon Flex  
AQL-305-BK-RGBW  
Up/Down wall lights  
AQS-160 RGB LED Strip  
Controlled by a Nicolaudie  
Stick-DE3 controller



Available in either premium electropolished 316 Stainless Steel or solid Aged Brass.

100% built in Sydney, Australia, these luminaires are designed to withstand our Australian conditions.

# A shine that lasts the time

Electro-polished for superior corrosion resistance and surface protection



## Artisan at a glance



AQA-101



AQA-102



AQA-103



AQA-104



AQA-106





Wall Mounted  
**AQA-101**



**TECHNICAL**

Product Code AQA-101 Product Family Artisan Function Wall Mounted

Construction Solid Aged Brass / Electroplated Stainless Steel 316

Electrical 12 ~ 24V AC / DC MultiSource Driver / MR16 SELV Drop-In Lamp IP Rating IP65 Warranty 10 Year Aqualux Warranty



Finish	Control Gear	Light Source	Optical	Cable
<input checked="" type="checkbox"/> Aged Brass	12~24V AC / 24V DC Dimming: 3-Wire PWM	14W / 1100lm 3000K / 550mA	Narrow (10°)	Aqualux Cable (1M Std)
<input type="checkbox"/> Electroplated	MR16 Dimming: Lamp Dependant	14W / 1200lm 5700K / 550mA	Medium (25°)	
		14W / 1100lm 2700K / 550mA	Wide (40°)	



Specifications subject to change, always check website for the latest details.

Wall Mounted  
**AQA-102**



**TECHNICAL**

Product Code AQA-102 Product Family Artisan Function Wall Mounted

Construction Solid Aged Brass / Electroplated Stainless Steel 316

Electrical 12 ~ 24V AC / DC MultiSource Driver / MR16 SELV IP Rating IP65 Warranty 10 Year Aqualux Warranty



Finish	Control Gear	Light Source	Optical	Cable
<input checked="" type="checkbox"/> Aged Brass	12~24V AC / 24V DC Dimming: 3-Wire PWM	7W / 550lm 3000K / 550mA	Narrow (10°)	Aqualux Cable (1M Std)
<input type="checkbox"/> Electroplated	MR16 Dimming: Lamp Dependant	7W / 600lm 5700K / 550mA	Medium (25°)	
		7W / 550lm 2700K / 550mA	Wide (40°)	



Specifications subject to change, always check website for the latest details.

Wall Mounted  
**AQA-103**



**TECHNICAL**

**Product Code** AQA-103 **Product Family** Artisan **Function** Wall Mounted  
**Construction** Solid Aged Brass / Electroplated Stainless ASteel 316 **Electrical** 12 ~ 24V AC / DC MultiSource Driver / MR16 SELV  
**IP Rating** IP65 **Warranty** 10 Year Aqualux Warranty



Finish	Control Gear	Light Source	Optical	Cable
<input checked="" type="checkbox"/> Aged Brass	12~24V AC / 24V DC Dimming: 3-Wire PWM	<input checked="" type="checkbox"/> 7W / 550lm 3000K / 550mA	Narrow (10°)	Aqualux Cable (1M Std)
<input type="checkbox"/> Electroplated	MR16 Dimming: Lamp Dependant	<input checked="" type="checkbox"/> 7W / 600lm 5700K / 550mA	Medium (25°)	
		<input type="checkbox"/> 7W / 550lm 2700K / 550mA	Wide (40°)	



Specifications subject to change, always check website for the latest details.

Wall Mounted  
**AQA-104**



**TECHNICAL**

**Product Code** AQA-104 **Product Family** Artisan **Function** Wall Mounted  
**Construction** Solid Aged Brass / Electroplated Stainless Steel 316 **Electrical** 12 ~ 24V AC / DC MultiSource Driver / MR16 SELV  
**IP Rating** IP65 **Warranty** 10 Year Aqualux Warranty



Finish	Control Gear	Light Source	Optical	Cable
<input checked="" type="checkbox"/> Aged Brass	12~24V AC / 24V DC Dimming: 3-Wire PWM	<input checked="" type="checkbox"/> 14W / 1100lm 3000K / 550mA	Narrow (10°)	Aqualux Cable (1M Std)
<input type="checkbox"/> Electroplated	MR16 Dimming: Lamp Dependant	<input checked="" type="checkbox"/> 14W / 1200lm 5700K / 550mA	Medium (25°)	
		<input type="checkbox"/> 14W / 1100lm 2700K / 550mA	Wide (40°)	



Specifications subject to change, always check website for the latest details.

Spot Light

# AQA-106



## TECHNICAL

Product Code AQA-106 Product Family Artisan Mounting Spot Light

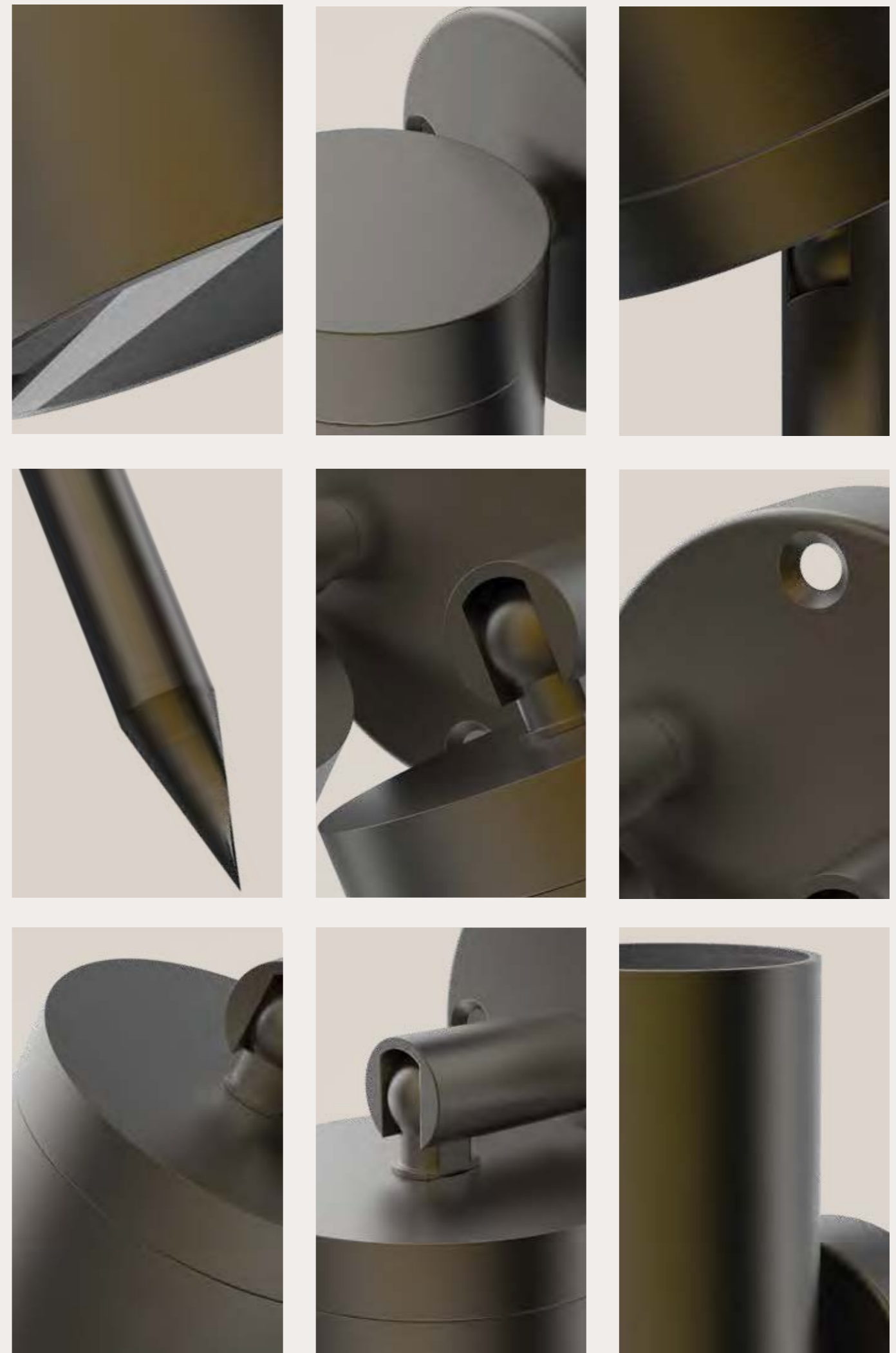
Construction Solid Aged Brass / Electroplated Stainless Steel 316 Electrical 12 ~ 24V AC / DC MultiSource Driver / MR16 SELV

IP Rating IP65 Warranty 10 Year Aqualux Warranty

Finish	Control Gear	Light Source	Optical	Cable
<input checked="" type="checkbox"/> Aged Brass <input type="checkbox"/> Electroplated	12~24V AC / 24V DC Dimming: 3-Wire PWM MR16 Dimming: Lamp Dependant	<input checked="" type="checkbox"/> 7W / 550lm 3000K / 550mA <input type="checkbox"/> 7W / 600lm 5700K / 550mA <input type="checkbox"/> 7W / 550lm 2700K / 550mA	Narrow (10°) Medium (25°) Wide (40°)	Aqualux Cable (1M Std)



Specifications subject to change, always check website for the latest details.



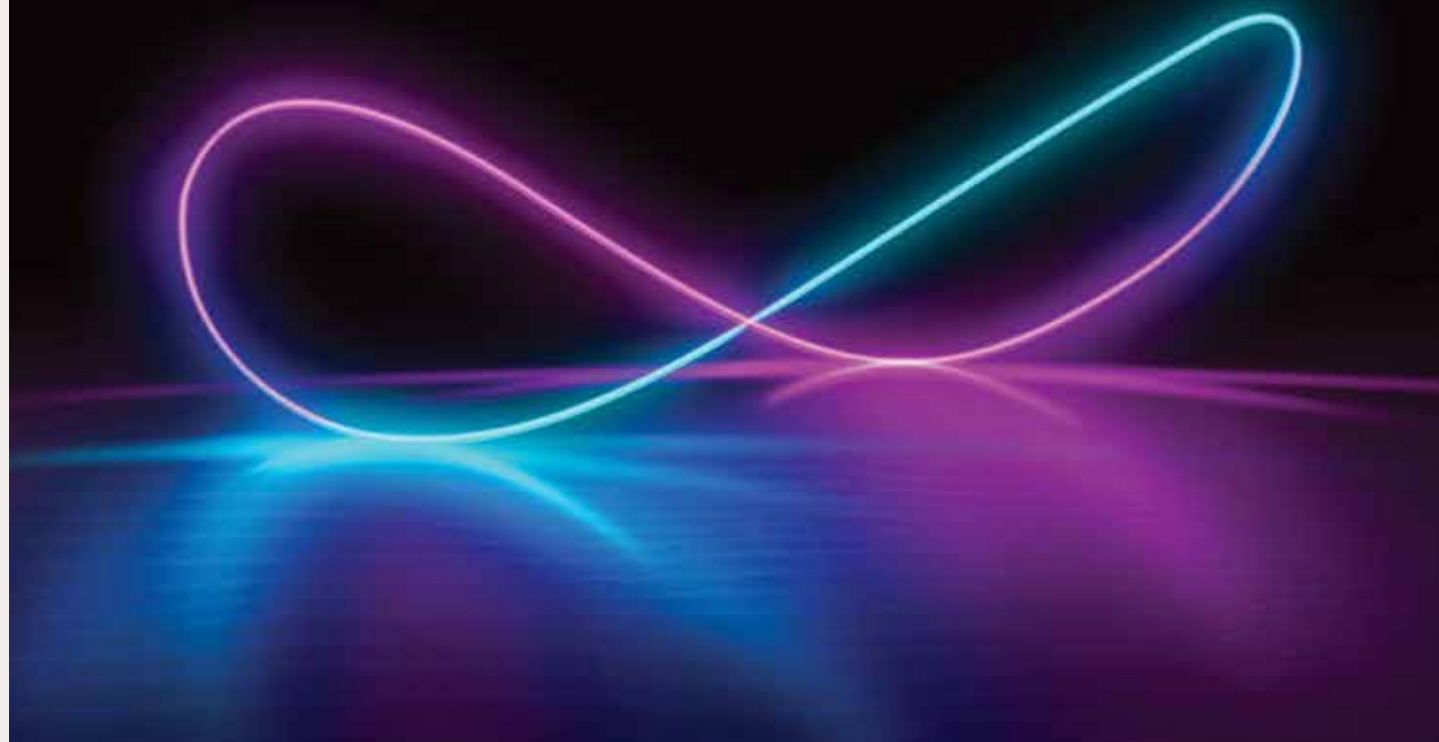


**Commercial grade, encapsulated Neon Flex strip lighting.**

Perfect for leading lines and light bending, a stand-out performance with programmable pixel changes.

# Bending light has never been easier

Power efficient LED Neon Flex



## Neon Flex at a glance



AQS-400-Mono



AQS-401-Mono



AQS-410-RGB



AQS-420-Mono



AQS-420-RGB



AQS-420-RGBW



AQS-500-Mono



AQS-500-RGB



AQS-500-RGBW



AQS-500-DMX



AQS-505-Mono



AQS-510-Mono



AQS-510-RGB



AQS-510-RGBW



AQS-510-DMX



AQS-600-Mono



AQS-600-RGBW



AQS-600-DMX

Neon Flex

# AQS-400 / MONO



Neon Flex

# AQS-401 / MONO



## TECHNICAL

**Product Code** AQS-400 **IP Rating** IP65 **Working Mode** Constant Voltage (PWM) / DMX / DALI  
**Max Length (Single Power Feed)** 8m **Max Length (Double Power Feed)** 16m **Cut Interval** 31mm **Bend Direction** Vertically  
**Minimum Bend Diameter** 60mm **LED Type** 2216 **LED Qty / M** 6pcs  
**Lumen Maintenance** 70,000 Hours L70@ 25°C, 50,000 Hours L70@ 50°C **Materials** Silicone **Emission Angle** 180°  
**Operating Temperature** -20° to +40°C **Installation Temperature** 5° to +35°C **Warranty** 3 Year Aqualux Warranty



Product Code	CCT	Voltage	Watts Per/Meter	Lumens Per/Meter
AQS-400-27A05	2700K	24V DC	5W	250lm
AQS-400-30A05	3000K	24V DC	5W	275lm
AQS-400-40A05	4000K	24V DC	5W	290lm
AQS-400-50A05	5000K	24V DC	5W	300lm
AQS-400-60A05	6000K	24V DC	5W	310lm
AQS-400-27A10	2700K	24V DC	10W	500lm
AQS-400-30A10	3000K	24V DC	10W	550lm
AQS-400-40A10	4000K	24V DC	10W	580lm
AQS-400-50A10	5000K	24V DC	10W	600lm
AQS-400-60A10	6000K	24V DC	10W	620lm



Specifications subject to change, always check website for the latest details.

## TECHNICAL

**Product Code** AQS-401 **IP Rating** IP65 **Working Mode** Constant Voltage (PWM) / DMX **Max Length (Single Power Feed)** 8m  
**Max Length (Double Power Feed)** 16m **Cut Interval** 36mm **Bend Direction** Vertically **Minimum Bend Diameter** 80mm  
**LED Type** 2835 **LED Qty / M** 168pcs **Lumen Maintenance** 70,000 Hours L70@ 25°C, 50,000 Hours L70@ 50°C **Materials** Silicone  
**Emission Angle** 180° **Operating Temperature** -20° to +40°C **Installation Temperature** 5° to +35°C  
**Warranty** 3 Years Aqualux Warranty

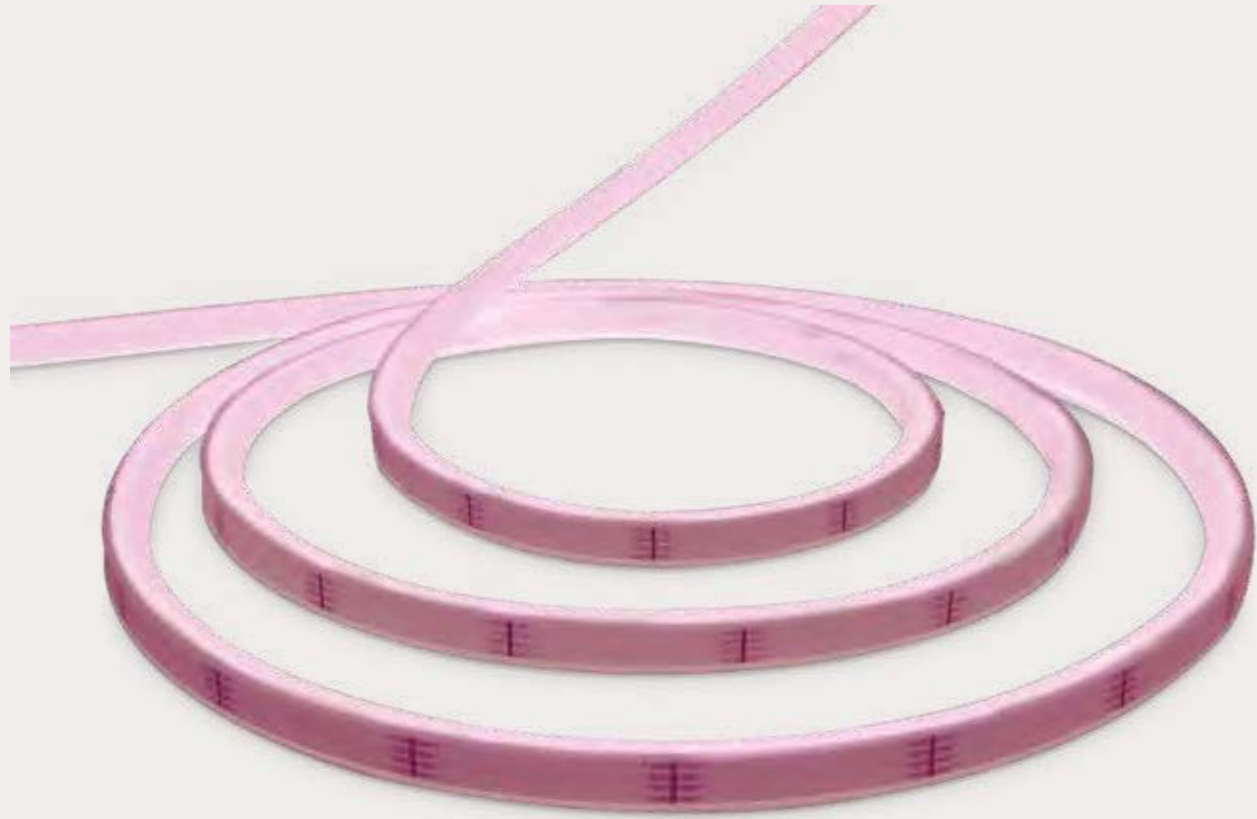
Product Code	CCT	Voltage	Watts Per/Meter	Lumens Per/Meter
AQS-401-27A05	2700K	24V DC	5W	450lm
AQS-401-27A10	2700K	24V DC	10W	500lm
AQS-401-30A10	3000K	24V DC	10W	550lm
AQS-401-40A10	4000K	24V DC	10W	580lm
AQS-401-50A10	5000K	24V DC	10W	600lm
AQS-401-60A10	6000K	24V DC	10W	620lm



Specifications subject to change, always check website for the latest details.

Neon Flex

# AQS-410 / RGB



## TECHNICAL

Product Code AQS-410 IP Rating IP65 Working Mode Constant Voltage (PWM) / DMX  
 Max Length (Single Power Feed) 10m Max Length (Double Power Feed) 20m Cut Interval 55.5mm Bend Direction Vertically  
 Minimum Bend Diameter 80mm LED Type 4040 3-in-1 LED Qty / M 108pcs  
 Lumen Maintenance 70,000 Hours L70@ 25°C, 50,000 Hours L70@ 50°C Materials Silicone Emission Angle 180°  
 Operating Temperature -20° to +40°C Installation Temperature 5° to +35°C Warranty 3 Year Aqualux Warranty

Product Code	CCT	Voltage	Watts Per/Meter	Lumens Per/Meter
AQS-410-Z1A10	RGB	24V DC	10W	500lm



Specifications subject to change, always check website for the latest details.

Neon Flex

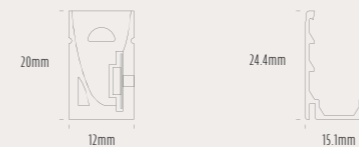
# AQS-420 / MONO



## TECHNICAL

Product Code AQS-420 IP Rating IP65 Working Mode Constant Voltage (PWM) / DMX Max Length (Single Power Feed) 10m  
 Max Length (Double Power Feed) 20m Cut Interval 50mm Bend Direction Horizontally Minimum Bend Diameter 120mm  
 LED Type SMD5050 LED Qty / M 120pcs Lumen Maintenance 70,000 Hours L70@ 25°C, 50,000 Hours L70@ 50°C  
 Materials Silicone Emission Angle 120° Operating Temperature -20° to +40°C Installation Temperature 5° to +35°C  
 Warranty 3 Year Aqualux Warranty

Product Code	CCT	Voltage	Watts Per/Meter	Lumens Per/Meter
AQS-420-27A10	2700K	24V DC	10W	263lm
AQS-420-30A10	3000K	24V DC	10W	270lm
AQS-420-40A10	4000K	24V DC	10W	285lm
AQS-420-50A10	5000K	24V DC	10W	290lm
AQS-420-60A10	6000K	24V DC	10W	290lm



Specifications subject to change, always check website for the latest details.

Neon Flex

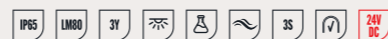
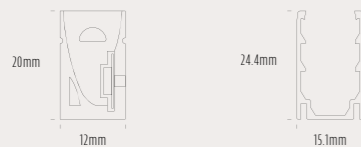
# AQS-420 / RGB



## TECHNICAL

**Product Code** AQS-420 **IP Rating** IP65 **Working Mode** Constant Voltage (PWM) / DMX **Max Length (Single Power Feed)** 10m  
**Max Length (Double Power Feed)** 20m **Cut Interval** 66mm **Bend Direction** Horizontally **Minimum Bend Diameter** 80mm  
**LED Type** SMD5050 **LED Qty / M** 90pcs **Lumen Maintenance** 70,000 Hours L70@ 25°C, 50,000 Hours L70@ 50°C  
**Materials** Silicone **Emission Angle** 120° **Operating Temperature** -20° to +40°C **Installation Temperature** 5° to +35°C  
**Warranty** 3 Year Aqualux Warranty

Product Code	CCT	Voltage	Watts Per/Meter	Lumens Per/Meter
AQS-420-Z1A10	RGB	24V DC	10W	500lm



Specifications subject to change, always check website for the latest details.

Neon Flex

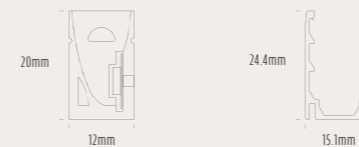
# AQS-420 / RGBW



## TECHNICAL

**Product Code** AQS-420 **IP Rating** IP65 **Working Mode** Constant Voltage (PWM) / DMX **Max Length (Single Power Feed)** 10m  
**Max Length (Double Power Feed)** 20m **Cut Interval** 66mm **Bend Direction** Horizontally **Minimum Bend Diameter** 120mm  
**LED Type** SMD5050 **Lumen Maintenance** 70,000 Hours L70@ 25°C, 50,000 Hours L70@ 50°C  
**Materials** Silicone **Emission Angle** 120° **Operating Temperature** -20° to +40°C **Installation Temperature** 5° to +35°C  
**Warranty** 3 Year Aqualux Warranty

Product Code	CCT	Voltage	Watts Per/Meter	Lumens Per/Meter
AQS-420-Z3A10	RGBW + 2700K	24V DC	10W	500lm
AQS-420-Z4A10	RGBW + 6500K	24V DC	10W	496lm

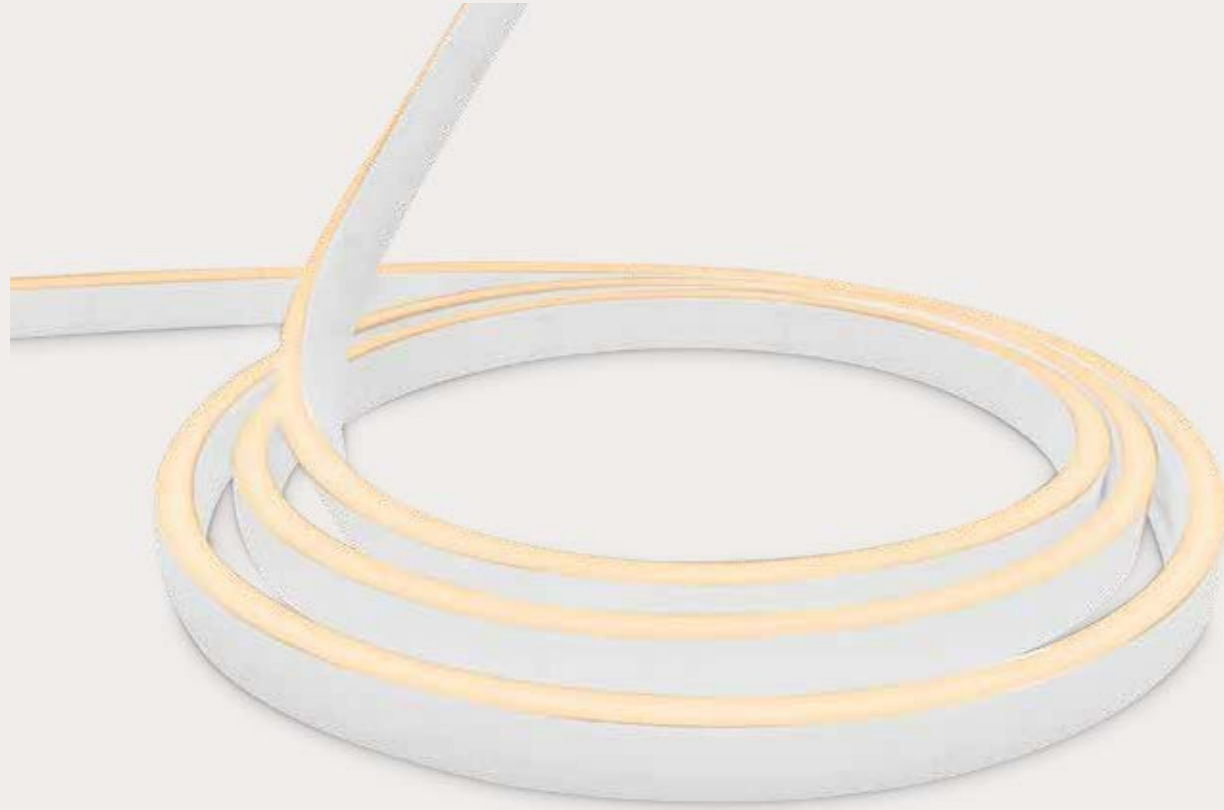


Specifications subject to change, always check website for the latest details.



Neon Flex

# AQS-500 / MONO

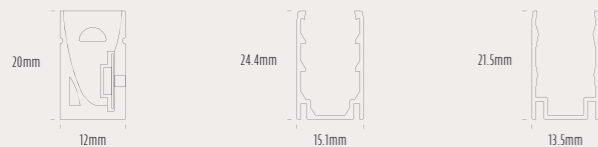


## TECHNICAL

**Product Code** AQS-500 **IP Rating** IP68 **Working Mode** Constant Voltage (PWM) / DMX **Bend Direction** Horizontally  
**Max Length (Single Power Feed)** 10m (12W) / 15m (5W / 8W) **Max Length (Double Power Feed)** 20m (12W) / 30m (5W / 8W)  
**Cut Interval** 100mm (12W) / 167mm (5W / 8W) **Minimum Bend Diameter** 120mm **LED Type** SMD3528 (5W) / SMD5050 (12W / 8W)  
**LED Qty / M** 72pcs (5W) / 60pcs (8W / 12W) **Lumen Maintenance** 70,000 Hours L70@ 25°C **Materials** Eco PVC **Emission Angle** 120°  
**Operating Temperature** -20° to +40°C **Warranty** 3 Year Aqualux Warranty



Product Code	CCT	Watts P/M	Lm P/M	Product Code	CCT	Watts P/M	Lm P/M
AQS-500-RDA08	RED	08W	110lm	AQS-500-27A12	2700K	12W	280lm
AQS-500-ORA08	ORANGE	08W	90lm	AQS-500-30A12	3000K	12W	280lm
AQS-500-AMA08	AMBER	08W	100lm	AQS-500-35A12	3500K	12W	330lm
AQS-500-GNA12	GREEN	12W	200lm	AQS-500-40A12	4000K	12W	330lm
AQS-500-BUA12	BLUE	12W	35lm	AQS-500-50A12	5000K	12W	350lm
AQS-500-LYA12	YELLOW	12W	250lm	AQS-500-57A12	5700K	12W	350lm
AQS-500-PKA12	PINK	12W	150lm	AQS-500-65A12	6500K	12W	350lm
AQS-500-22A12	2200K	12W	280lm	AQS-500-RDA05	RED	05W	44lm
AQS-500-25A12	2500K	12W	280lm	AQS-500-ORA05	ORANGE	05W	35lm
				AQS-500-AMA05	AMBER	05W	44lm
				AQS-500-GNA05	GREEN	05W	80lm
				AQS-500-BUA05	BLUE	05W	14lm
				AQS-500-PKA05	PINK	05W	60lm
				AQS-500-22A05	2200K	05W	120lm
				AQS-500-25A05	2500K	05W	120lm
				AQS-500-27A05	2700K	05W	120lm
				AQS-500-30A05	3000K	05W	120lm
				AQS-500-35A05	3500K	05W	130lm
				AQS-500-40A05	4000K	05W	130lm
				AQS-500-50A05	5000K	05W	140lm
				AQS-500-57A05	5700K	05W	140lm
				AQS-500-65A05	6500K	05W	140lm



Specifications subject to change, always check website for the latest details.

Neon Flex

# AQS-500 / RGB

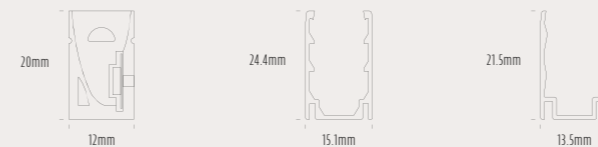


## TECHNICAL

**Product Code** AQS-500 **IP Rating** IP68 **Working Mode** Constant Voltage (PWM) / DMX **Max Length (Single Power Feed)** 10m  
**Max Length (Double Power Feed)** 20m **Cut Interval** 100mm **Bend Direction** Horizontally **Minimum Bend Diameter** 80mm  
**LED Type** SMD5050 **LED Qty / M** 60pcs **Lumen Maintenance** 70,000 Hours L70@ 25°C, 50,000 Hours L70@ 50°C  
**Materials** Eco PVC **Emission Angle** 120° **Operating Temperature** -20° to +40°C **Installation Temperature** 5° to +35°C  
**Warranty** 3 Year Aqualux Warranty



Product Code	CCT	Voltage	Watts Per/Meter	Lumens Per/Meter
AQS-500-Z1A12	RGB	24V DC	12W	Check website



Specifications subject to change, always check website for the latest details.

Neon Flex

# AQS-500 / RGBW



Neon Flex

# AQS-500 / DMX

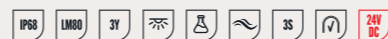
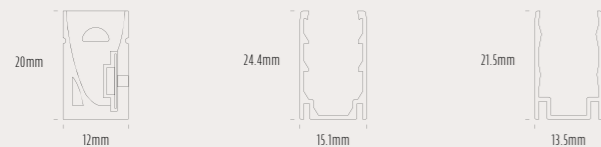


## TECHNICAL

Product Code AQS-500 IP Rating IP68 Working Mode Constant Voltage (PWM) / DMX Max Length (Single Power Feed) 8m  
 Max Length (Double Power Feed) 16m Cut Interval 100mm Bend Direction Horizontally Minimum Bend Diameter 80mm  
 LED Type SMD5050 LED Qty / M 60pcs Lumen Maintenance 70,000 Hours L70@ 25°C, 50,000 Hours L70@ 50°C Materials Eco PVC  
 Emission Angle 120° Operating Temperature -20° to +40°C Installation Temperature 5° to +35°C Warranty 3 Year Aqualux Warranty



Product Code	CCT	Voltage	Watts Per/Meter	Lumens Per/Meter
AQS-500-Z2A15	RGBW + 3000K	24V DC	17W	Check website
AQS-500-Z3A15	RGBW + 2700K	24V DC	17W	
AQS-500-Z4A15	RGBW + 6500K	24V DC	17W	



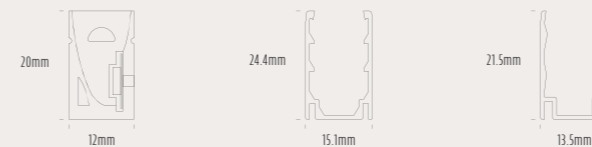
Specifications subject to change, always check website for the latest details.

## TECHNICAL

Product Code AQS-500 IP Rating IP68 Working Mode Constant Voltage DMX Max Length (Single Power Feed) 8m  
 Max Length (Double Power Feed) 16m Cut Interval 100mm Bend Direction Horizontally Minimum Bend Diameter 80mm  
 LED Type SMD5050 LED Qty / M 70pcs Lumen Maintenance 70,000 Hours L70@ 25°C, 50,000 Hours L70@ 50°C Materials Eco PVC  
 Emission Angle 120° Operating Temperature -20° to +40°C Installation Temperature 5° to +35°C Warranty 3 Years



Product Code	CCT	Voltage	Watts Per/Meter	Lumens Per/Meter
AQS-500-Z6A18	RGB + 2700K	24V DC	18W	Check website



Specifications subject to change, always check website for the latest details.

Neon Flex

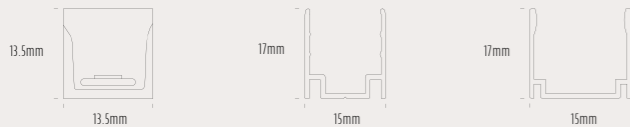
# AQS-505 / MONO



## TECHNICAL

**Product Code** AQS-505 **IP Rating** IP68 **Working Mode** Constant Voltage (PWM) **Max Length (Single Power Feed)** 10m  
**Max Length (Double Power Feed)** 20m **Cut Interval** 83.30mm **Bend Direction** Vertically **Minimum Bend Diameter** 80mm  
**LED Type** SMD2835 **LED Qty / M** 144pcs **Lumen Maintenance** 50,000 Hours L70@ 50°C **Materials** Eco PVC **Emission Angle** 120°  
**Operating Temperature** -20° to +40°C **Installation Temperature** 5° to +35°C **Warranty** 3 Year Aqualux Warranty

Product Code	CCT	Voltage	Watts Per/Meter	Lumens Per/Meter
AQS-505-RDA10	Red	24V DC	10W	140lm
AQS-505-GNA10	Green	24V DC	10W	400lm
AQS-505-BUA10	Blue	24V DC	10W	70lm
AQS-505-22A10	2200K	24V DC	10W	410lm
AQS-505-25A10	2500K	24V DC	10W	410lm
AQS-505-27A10	2700K	24V DC	10W	410lm
AQS-505-30A10	3000K	24V DC	10W	410lm
AQS-505-35A10	3500K	24V DC	10W	430lm
AQS-505-40A10	4000K	24V DC	10W	430lm
AQS-505-45A10	4500K	24V DC	10W	460lm
AQS-505-50A10	5000K	24V DC	10W	460lm
AQS-505-57A10	5700K	24V DC	10W	460lm
AQS-505-65A10	6500K	24V DC	10W	460lm



Specifications subject to change, always check website for the latest details.

Neon Flex

# AQS-510 / MONO



## TECHNICAL

**Product Code** AQS-510 **IP Rating** IP68 **Working Mode** Constant Voltage (PWM) **Max Length (Single Power Feed)** 10m  
**Max Length (Double Power Feed)** 20m **Cut Interval** 83.30mm **Bend Direction** Vertically **Minimum Bend Diameter** 120mm  
**LED Type** SMD3528 **LED Qty / M** 144pcs **Lumen Maintenance** 70,000 Hours L70@ 25°C, 50,000 Hours L70@ 50°C  
**Materials** Eco PVC **Emission Angle** 120° **Operating Temperature** -20° to +40°C **Installation Temperature** 5° to +35°C  
**Warranty** 3 Year Aqualux Warranty

Product Code	CCT	Voltage	Watts Per/Meter	Lumens Per/Meter
AQS-510-RDA10	Red	24V DC	10W	120lm
AQS-510-GNA10	Green	24V DC	10W	390lm
AQS-510-BUA10	Blue	24V DC	10W	90lm
AQS-510-AMA10	Amber	24V DC	10W	360lm
AQS-510-22A10	2200K	24V DC	10W	360lm
AQS-510-25A10	2500K	24V DC	10W	360lm
AQS-510-27A10	2700K	24V DC	10W	360lm
AQS-510-30A10	3000K	24V DC	10W	370lm
AQS-510-35A10	3500K	24V DC	10W	370lm
AQS-510-40A10	4000K	24V DC	10W	370lm
AQS-510-45A10	4500K	24V DC	10W	370lm
AQS-510-50A10	5000K	24V DC	10W	400lm
AQS-510-57A10	5700K	24V DC	10W	400lm
AQS-510-65A10	6500K	24V DC	10W	400lm



Specifications subject to change, always check website for the latest details.

Neon Flex

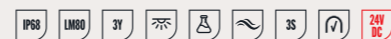
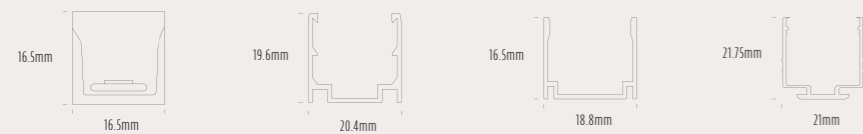
# AQS-510 / RGB



## TECHNICAL

**Product Code** AQS-510 **IP Rating** IP68 **Working Mode** Constant Voltage (PWM) / DMX **Max Length (Single Power Feed)** 10m  
**Max Length (Double Power Feed)** 20m **Cut Interval** 83.30mm **Bend Direction** Vertically **Minimum Bend Diameter** 120mm  
**LED Type** SMD3528 **LED Qty / M** 72pcs **Lumen Maintenance** 70,000 Hours L70@ 25°C, 50,000 Hours L70@ 50°C **Materials** Eco PVC  
**Emission Angle** 120° **Operating Temperature** -20° to +40°C **Installation Temperature** 5° to +35°C **Warranty** 3 Year Aqualux Warranty

Product Code	CCT	Voltage	Watts Per/Meter	Lumens Per/Meter
AQS-510-Z1A13	RGB	24V DC	13W	Check website



Specifications subject to change, always check website for the latest details.

Neon Flex

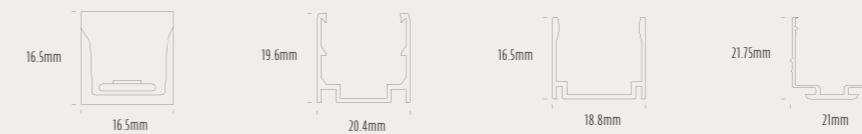
# AQS-510 / RGBW



## TECHNICAL

**Product Code** AQS-510 **IP Rating** IP68 **Working Mode** Constant Voltage (PWM) / DMX  
**Max Length (Single Power Feed)** 8m **Max Length (Double Power Feed)** 16m **Cut Interval** 100mm **Bend Direction** Vertically  
**Minimum Bend Diameter** 120mm **LED Type** SMD3528 **LED Qty / M** 60pcs  
**Lumen Maintenance** 70,000 Hours L70@ 25°C, 50,000 Hours L70@ 50°C **Materials** Eco PVC **Emission Angle** 120°  
**Operating Temperature** -20° to +40°C **Installation Temperature** 5° to +35°C **Warranty** 3 Year Aqualux Warranty

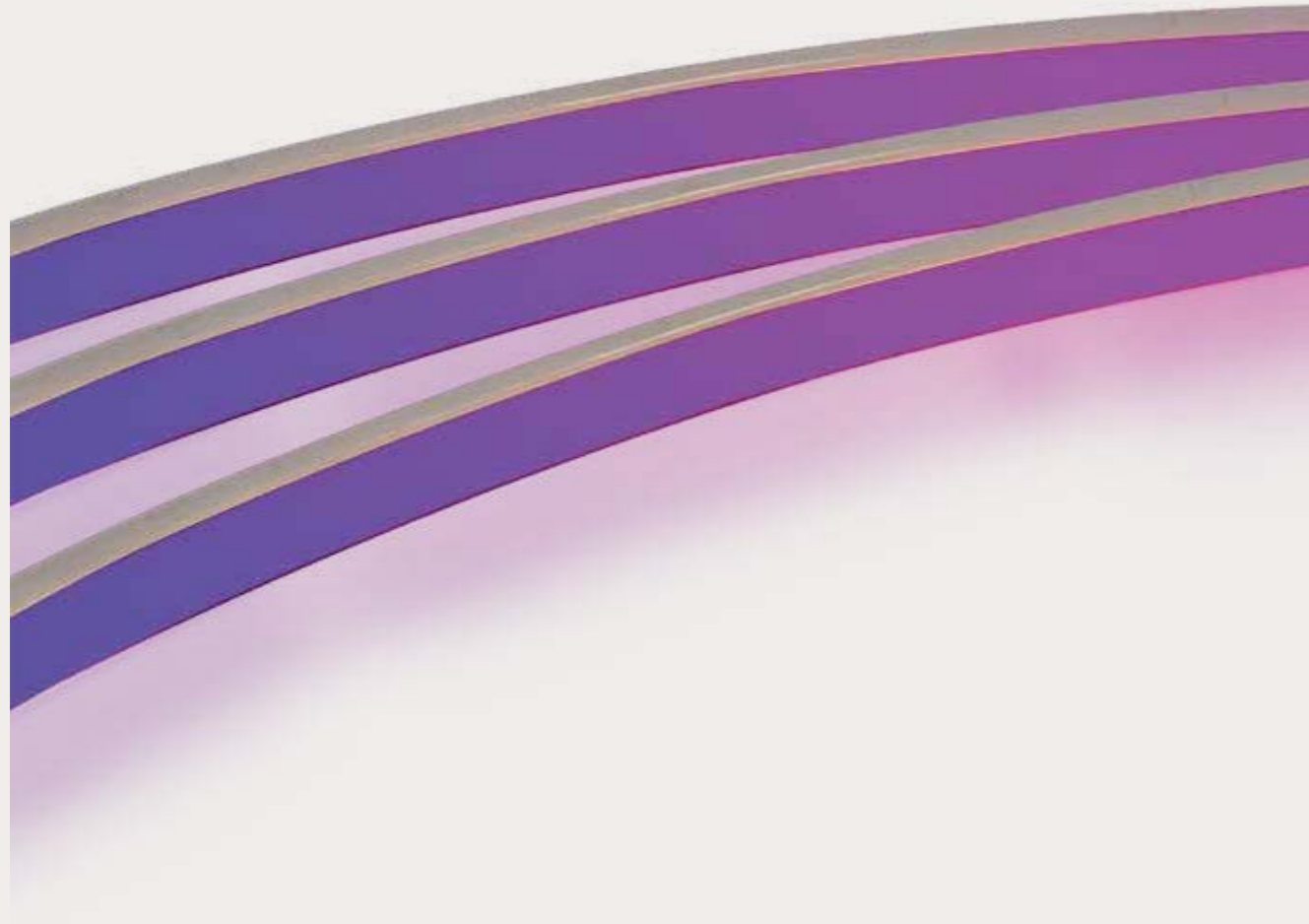
Product Code	CCT	Voltage	Watts Per/Meter	Lumens Per/Meter
AQS-510-Z3A17	RGBW + 2700K	24V DC	17W	Check website



Specifications subject to change, always check website for the latest details.

Neon Flex

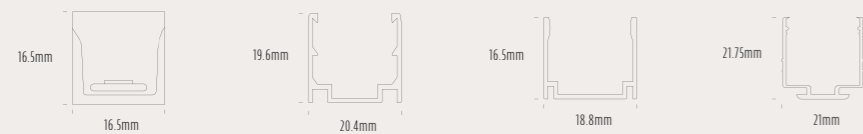
# AQS-510 / DMX



## TECHNICAL

**Product Code** AQS-510 **IP Rating** IP68 **Working Mode** DMX (RS485) **Max Length (Single Power Feed)** 8m  
**Max Length (Double Power Feed)** 16m **Cut Interval** 100mm **Bend Direction** Vertically **Minimum Bend Diameter** 120mm  
**LED Type** SMD5050 **LED Qty / M** 70pcs **Lumen Maintenance** 70,000 Hours L70@ 25°C, 50,000 Hours L70@ 50°C **Materials** Eco PVC  
**Emission Angle** 120° **Operating Temperature** -20° to +40°C **Installation Temperature** 5° to +35°C **Warranty** 3 Year Aqualux Warranty

Product Code	CCT	Voltage	Watts Per/Meter	Lumens Per/Meter
AQS-510-Z3A18	RGBW + 2700K	24V DC	18W	Check website



Specifications subject to change, always check website for the latest details.

Linear

# AQS-160



## TECHNICAL

**Product Code** AQS-160 **IP Rating** IP20 **Working Mode** Constant Voltage (PWM) **Max Length (Single Power Feed)** 5m  
**Max Length (Double Power Feed)** 10m **Cut Interval** 100mm **Bend Direction** Horizontally **Minimum Bend Diameter** 120mm  
**LED Type** Epistar 2835 **LED Qty / M** 60pcs **Lumen Maintenance** 50,000 Hours L70@ 50°C  
**Materials** Parylene / 3M Adhesive Backing **Emission Angle** 180° **Operating Temperature** -20° to +40°C  
**Installation Temperature** 5° to +35°C **Warranty** 3 Year Aqualux Warranty

Product Code	CCT	Voltage	Watts Per/Meter	Lumens Per/Meter
AQS-160-30A15	3000k	24V DC	15W	1000lm
AQS-160-55A15	5500k	24V DC	15W	1000lm



Specifications subject to change, always check website for the latest details.

Linear

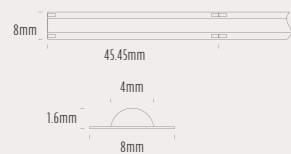
# AQS-170



## TECHNICAL

**Product Code** AQS-170 **Voltage** 24V DC **Watts (per Meter)** 10W **IP Rating** IP20 **Lumen Output (per Meter)** 970lm / 1050lm  
**CCT & Colour Options** 2700K / 4000K **Working Mode** Constant Voltage (PWM) / DMX **Max Length (Single Power Feed)** 5m  
**Cut Interval** 45.45mm **Bend Direction** Vertically **Minimum Bend Diameter** 50mm **LED Type** Sanan COB  
**LED Qty / M** 528pcs **Lumen Maintenance** 50,000 Hours L70@ 30°C **Materials** 3M Adhesive Backing **Emission Angle** 180°  
**Operating Temperature** -20°C to +40°C **Installation Temperature** 5°C to +35°C **Warranty** 3 Year Aqualux Warranty

Product Code	CCT	Voltage	Watts Per/Meter	Lumens Per/Meter
AQS-170-27A10	2700k	24V DC	10W	970lm
AQS-170-40A10	4000k	24V DC	10W	1050lm



Specifications subject to change, always check website for the latest details.

Linear

# AQS-171



## TECHNICAL

**Product Code** AQS-171 **Voltage** 12V DC **Watts (per Meter)** 5W **IP Rating** IP20 **Lumen Output (per Meter)** 415lm  
**CCT & Colour Options** 3000K **Working Mode** Constant Voltage (PWM) / DMX **Max Length (Single Power Feed)** 5m  
**Cut Interval** 25mm **Bend Direction** Vertically **Minimum Bend Diameter** 50mm **LED Type** Epistar Chip  
**LED Qty / M** 360pcs **Lumen Maintenance** 50,000 Hours L70@ 30°C **Materials** 3M Adhesive Backing **Emission Angle** 180°  
**Operating Temperature** -20°C to +40°C **Installation Temperature** 5°C to +35°C **Warranty** 3 Year Aqualux Warranty

Product Code	CCT	Voltage	Watts Per/Meter	Lumens Per/Meter
AQS-171-30B05	3000k	12V DC	5W	415lm



Specifications subject to change, always check website for the latest details.

Linear

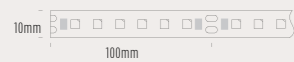
# AQS-260



## TECHNICAL

**Product Code** AQS-260 **IP Rating** IP65 **Working Mode** Constant Voltage (PWM) **Max Length (Single Power Feed)** 5m DC / 7m AC  
**Max Length (Double Power Feed)** 10m DC / 14m AC **Cut Interval** 100mm **Bend Direction** Horizontally  
**Minimum Bend Diameter** 120mm **LED Type** LG 5630 **LED Qty / M** 60pcs **Lumen Maintenance** 50,000 Hours L70@ 50°C  
**Materials** Parylene-N / 3M Adhesive Backing **Emission Angle** 180° **Operating Temperature** -20° to +40°C  
**Installation Temperature** 5° to +35°C **Warranty** 2 Year Aqualux Warranty

Product Code	CCT	Voltage	Watts Per/Meter	Lumens Per/Meter
AQS-260-27C12	2700k	24V AC / DC	12W	1100lm nominal.
AQS-260-30C12	3000k	24V AC / DC	12W	
AQS-260-40C12	4000k	24V AC / DC	12W	
AQS-260-55C12	5500k	24V AC / DC	12W	
AQS-260-27C15	2700k	24V AC / DC	15W	
AQS-260-30C15	3000k	24V AC / DC	15W	
AQS-260-40C15	4000k	24V AC / DC	15W	
AQS-260-55C15	5500k	24V AC / DC	15W	



Specifications subject to change, always check website for the latest details.

Neon Flex

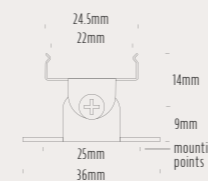
# AQS-600 / MONO



## TECHNICAL

**Product Code** AQS-600-MONO **IP Rating** IP67 **Working Mode** Constant Voltage DMX **Max Length (Single Power Feed)** 5m  
**Cut Interval** 125mm **Bend Direction** Horizontally **Minimum Bend Diameter** 150mm **LED Type** SMD2835 **LED Qty / M** 48pcs  
**Lumen Maintenance** 50,000 Hours L70@ 50°C **Materials** Thermoplastic Polyurethane **Emission Angle** 30° / 45° / 60° / 20\*45°  
**Operating Temperature** -25° to +45°C **Installation Temperature** 5° to +35°C **Warranty** 3 Year Aqualux Warranty

Product Code	CCT	Voltage	Watts Per/Meter	Lumens Per/Meter
AQS-600	2700K	24V DC	18W	1851lm
AQS-600	3000K	24V DC	18W	1915lm
AQS-600	4000K	24V DC	18W	2167lm
AQS-600	6500K	24V DC	18W	1949lm



Specifications subject to change, always check website for the latest details.

Neon Flex

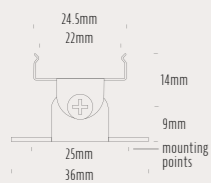
# AQS-600 / RGBW



## TECHNICAL

Product Code AQS-600 IP Rating IP67 Working Mode Constant Voltage (PWM) DMX Max Length (Single Power Feed) 5m  
 Cut Interval 166.6mm Bend Direction Horizontally Minimum Bend Diameter 150mm LED Type SMD5050 LED Qty / M 42pcs  
 Lumen Maintenance 50,000 Hours L70@ 50°C Materials Thermoplastic Polyurethane Emission Angle 15° / 30° / 45° / 15°\*60°  
 Operating Temperature -25° to +45°C Installation Temperature 5° to +35°C Warranty 3 Year Aqualux Warranty

Product Code	CCT	Voltage	Watts Per/Meter	Lumens Per/Meter
AQS-600	RGBW + 3000K	24V DC	8W	540lm



Specifications subject to change, always check website for the latest details.

Neon Flex

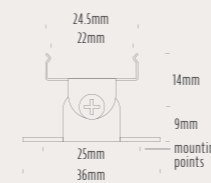
# AQS-600 / DMX



## TECHNICAL

Product Code AQS-600 IP Rating IP67 Working Mode DMX 512 Max Length (Single Power Feed) 5m  
 Cut Interval 166.6mm Bend Direction Horizontally Minimum Bend Diameter 150mm LED Type SMD5050 LED Qty / M 36pcs  
 Lumen Maintenance 50,000 Hours L70@ 50°C Materials Thermoplastic Polyurethane Emission Angle 15° / 30° / 45° / 15°\*60°  
 Operating Temperature -25° to +45°C Installation Temperature 5° to +35°C Warranty 3 Year Aqualux Warranty

Product Code	CCT	Voltage	Watts Per/Meter	Lumens Per/Meter
AQS-600	DMX	24V DC	8.5W	230lm



Specifications subject to change, always check website for the latest details.

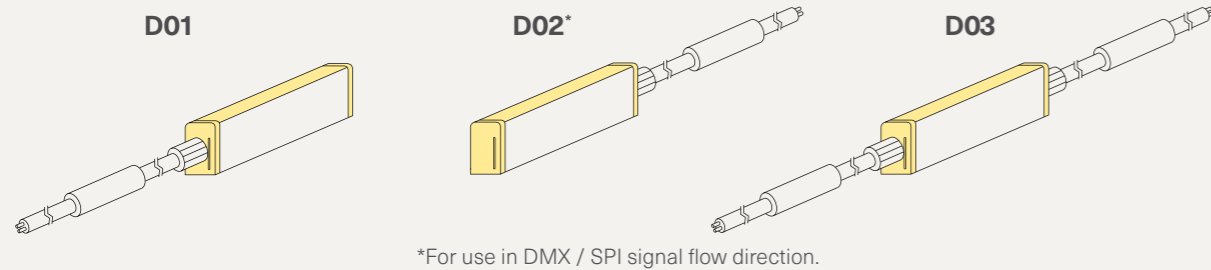


# Getting connected

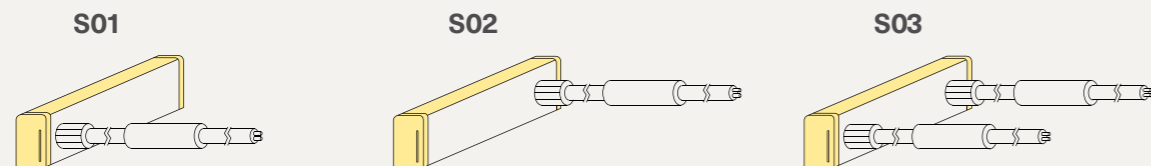
Standardising Neon Flex cable entries for Anti-Siphon and Quick Connect applications is as easy as D, S, B.

## Anti-Siphon Cable Entry Options

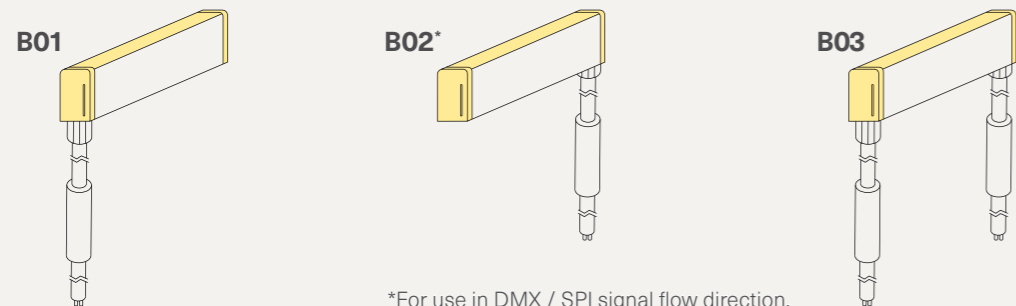
Direct Cable Entry



Side Cable Entry



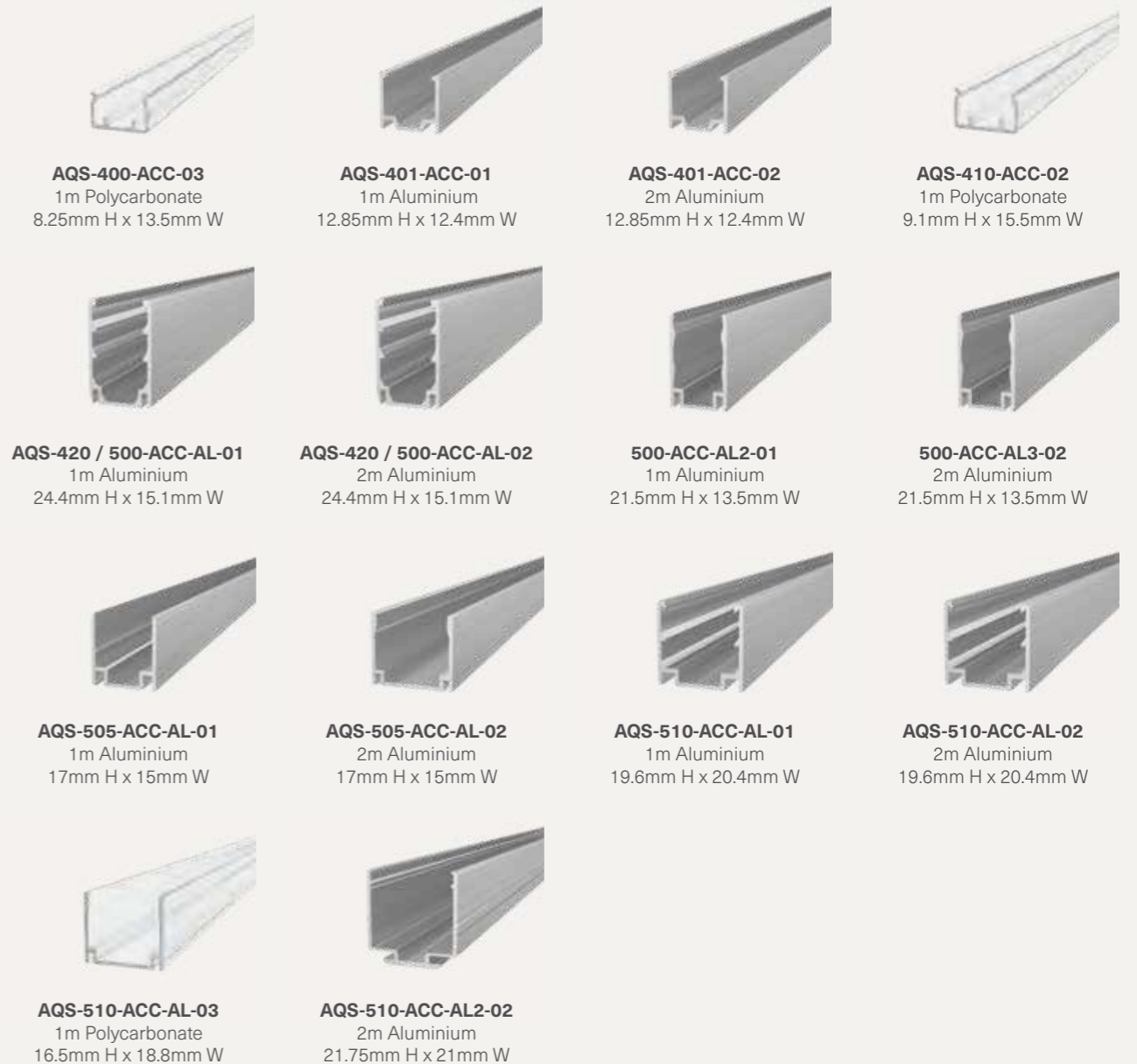
Bottom Cable Entry



# Staying in the groove

A range of Neon Flex extrusion and mounting clips in Polycarbonate, Aluminium and Stainless Steel.

## AQS Mounting Extrusions





# Bundall Road

SURFERS PARADISE - QLD



RGB Neon Flex is replacing the once loved but limited neon tubing. Safer and easier to use, Neon Flex offers Vegas styled lighting with more options and of course flexibility.

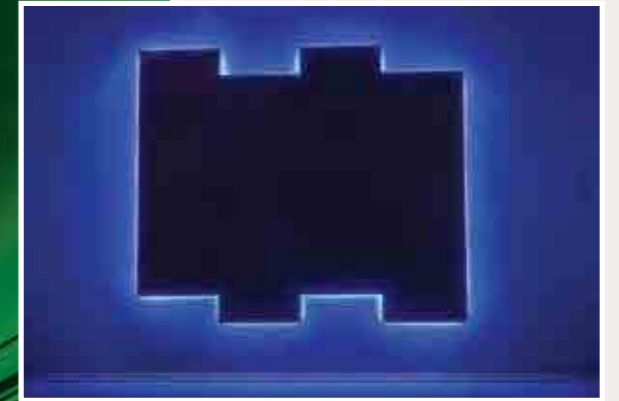
**PARTNER**  
Alpha Led / Aqualux / Wolfie IT

**LOCATION**  
Bundall Rd, Surfers Paradise  
Queensland.

**PROJECT BRIEF**  
Street and building Signage:  
AQS-500-24-RGB Neon Flex

# Annangrove Road

ANNANGROVE - NSW



Popcorn Ready for the latest blockbuster or your favourite TV show. The detailed lighting effects using AQS-410-RGB in this home theatre room create a dramatic atmosphere for the personalised cinema experience.

#### **PARTNERS**

Beachside electrical solutions  
& TLE Northern beaches

#### **LOCATION**

Annangrove Rd, Annangrove  
Sydney.

#### **PROJECT BRIEF**

AQS-410-RGB - WiFi104 Control Gear



**Modern fittings powder coated in a range of colour finishes.**

The box and snake-like modular turnable luminaries offer unique opportunities for Architectural Designers.

# Prismatic wall light

Crafted from Aluminium, made to last



## AQL-600 Series at a glance



AQL-600



AQL-601



AQL-602



AQL-650



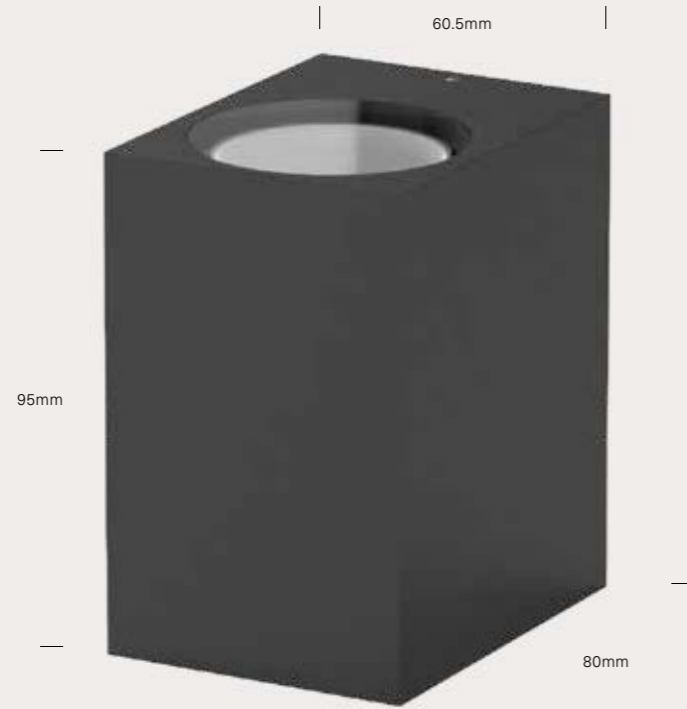
AQL-651



AQL-652



Wall Mounted  
**AQL-600**



**TECHNICAL**

**Product Code** AQL-600 **Product Family** Elements **Function** Wall Mounted **Construction** Aluminium + Powder Coat / Black / White  
**LED** CREE 3000K / Integrated 7W **Electrical** 240V AC / 24V DC SELV **IP Rating** IP65  
**Warranty** 3 Year Aqualux Warranty

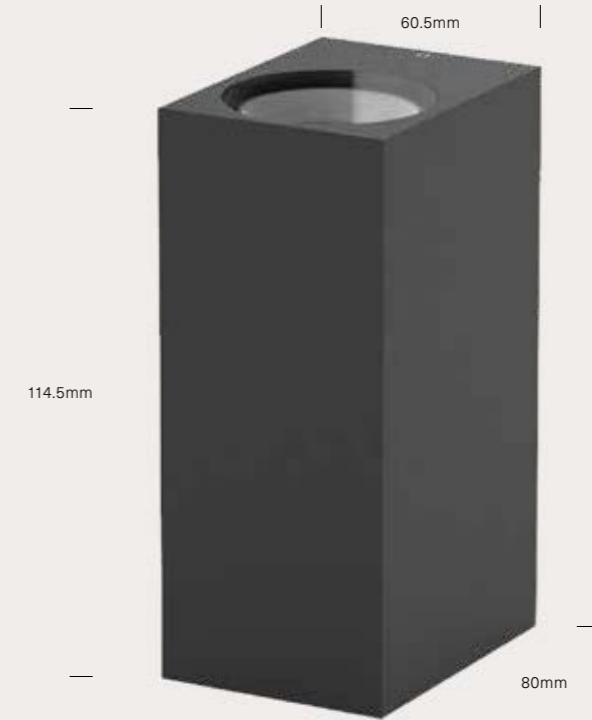


Finish	Control Gear	Light Source	Optical	Cable
<input checked="" type="checkbox"/> Matt Black <input type="checkbox"/> White	24V DC Dimming: PWM 10V Dimming <hr/> 240V Dimming: No	<input checked="" type="checkbox"/> 7W / 615lm 3000K / 700mA	Flood (70°)	Terminal Block



Specifications subject to change, always check website for the latest details.

Wall Mounted  
**AQL-601**



**TECHNICAL**

**Product Code** AQL-601 **Product Family** Elements **Function** Wall Mounted **Construction** Aluminium + Powder Coat / Black / White  
**LED** CREE 3000K / Integrated 7W x 2 **Electrical** 240V AC / 24V DC SELV **IP Rating** IP65  
**Warranty** 3 Year Aqualux Warranty



Finish	Control Gear	Light Source	Optical	Cable
<input checked="" type="checkbox"/> Matt Black <input type="checkbox"/> White	24V DC Dimming: PWM 10V Dimming <hr/> 240V Dimming: No	<input checked="" type="checkbox"/> 14W / 1230lm 3000K / 700mA	Flood (70°)	Terminal Block



Specifications subject to change, always check website for the latest details.

Wall Mounted  
**AQL-602**



**TECHNICAL**

**Product Code** AQL-602 **Product Family** Elements **Function** Wall Mounted **Construction** Aluminium + Powder Coat / Black  
**LED** CREE 3000K / Integrated 7W **Electrical** 240V AC / 24V DC SELV **IP Rating** IP65  
**Accessories** Includes Optional Narrow Beam Cut off **Warranty** 3 Year Aqualux Warranty



Finish	Control Gear	Light Source	Optical	Cable
■ Matt Black	24V DC Dimming: PWM 10V Dimming <hr/> 240V Dimming: No	■ 7W / 615lm 3000K / 700mA	Flood (70°)	Terminal Block



Specifications subject to change, always check website for the latest details.

Wall Mounted  
**AQL-603**



**TECHNICAL**

**Product Code** AQL-603 **Product Family** Elements **Function** Wall Mounted **Construction** Aluminium + Powder Coat / Black  
**LED** CREE 3000K / Integrated 14W **Electrical** 240V AC / 24V DC SELV **IP Rating** IP65  
**Accessories** Includes Optional Narrow Beam Cut off **Warranty** 3 Year Aqualux Warranty

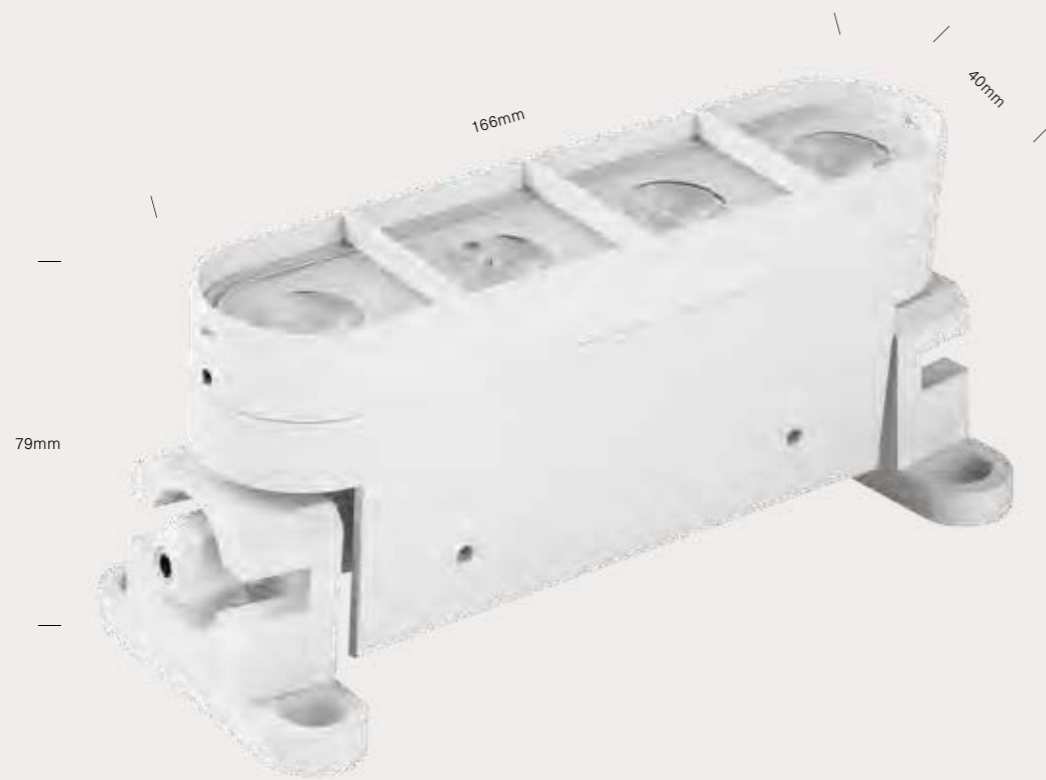


Finish	Control Gear	Light Source	Optical	Cable
■ Matt Black	24V DC Dimming: PWM 10V Dimming <hr/> 240V Dimming: No	■ 14W / 1230lm 3000K / 700mA	Flood (70°)	Terminal Block



Specifications subject to change, always check website for the latest details.

Area Lights  
**AQL-650**



**TECHNICAL**

Product Code AQL-650 Product Family Area & Linear Watts 6W Function Area Lights

Construction Machine Cut Aluminium 6063 + Powder Coat Black / White / Grey Electrical 24V DC IP Rating IP66

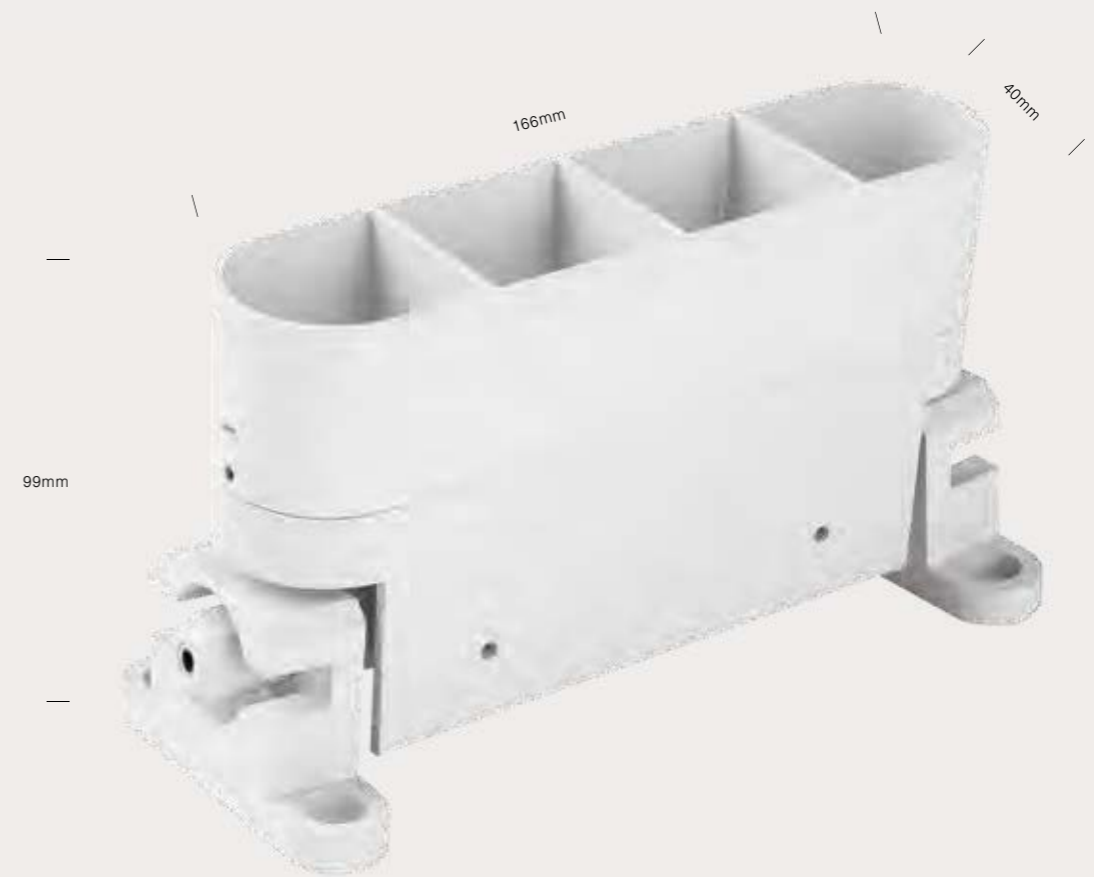
Warranty 5 Year Aqualux Warranty Run Length 3 module 500mm Minimu / 18 Module 3m Maximum

Product Code	CCT	Beam Angles	Finish	Lumens
AQL-650	2700K	10°	■ Black	476Lm
AQL-651	3000K	15°	□ White	498Lm
AQL-652	4000K	30°		560Lm
	5000K	10x50° 20x40°		615Lm



Specifications subject to change, always check website for the latest details.

Area Lights  
**AQL-651**



**TECHNICAL**

Product Code AQL-651 Product Family Area & Linear Watts 6W Function Area Lights

Construction Machine Cut Aluminium 6063 + Powder Coat Black / White / Grey Electrical 24V DC IP Rating IP66

Warranty 5 Year Aqualux Warranty Run Length 3 module 500mm Minimu / 18 Module 3m Maximum

Product Code	CCT	Beam Angles	Finish	Lumens
AQL-650	2700K	10°	■ Black	476Lm
AQL-651	3000K	15°	□ White	498Lm
AQL-652	4000K	30°		560Lm
	5000K	10x50° 20x40°		615Lm



Specifications subject to change, always check website for the latest details.



Area Lights

# AQL-652



## TECHNICAL

**Product Code** AQL-652 **Product Family** Area & Linear **Watts** 6W **Function** Area Lights

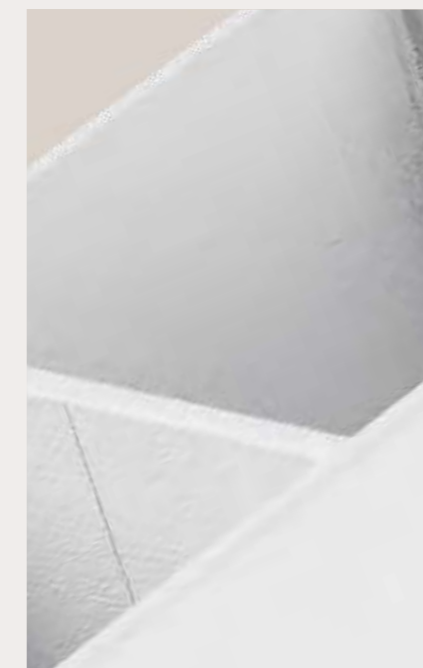
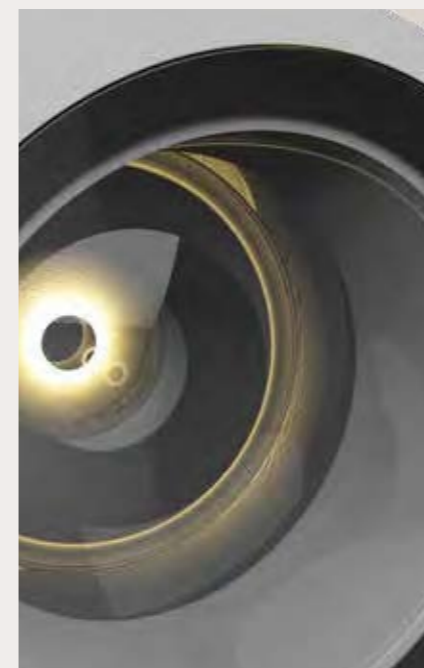
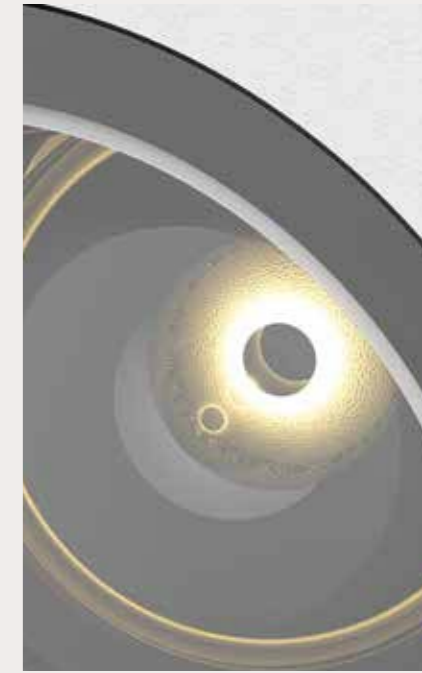
**Construction** Machine Cut Aluminium 6063 + Powder Coat Black / White / Grey **Electrical** 24V DC **IP Rating** IP66

**Warranty** 5 Year Aqualux Warranty **Run Length** 3 module 500mm Minimu / 18 Module 3m Maximum

Product Code	CCT	Beam Angles	Finish	Lumens
AQL-650	2700K	10°	■ Black	476Lm
AQL-651	3000K	15°	□ White	498Lm
AQL-652	4000K	30°		560Lm
	5000K	10x50°		615Lm
		20x40°		



Specifications subject to change, always check website for the latest details.



# Wreck Point Lookout

YEPPOON - QLD



"Aqualux Lighting, Creative in design, empathetic of site and environment, particularly with placement in construction, thoughtful and inclusive partnership with clients, thorough with after sales service. Their efforts have assisted in highlighting, 'Wreck Point Lookout' as a joint 2017/18 project of the Queensland Government, Livingstone Shire Council and Yeppoon Lions Club Inc."

*Glen Alexander G & P Alexander Pty Ltd Builders.*

#### **PARTNER**

Haymans Yeppoon  
G & P Alexander Builders  
Livingstone Shire Council

#### **LOCATION**

Yeppoon, QLD

#### **PROJECT BRIEF**

Top Lookout: 9 x AQL-155-RGBW  
& 4 x we-ef uplights

#### **Ship Wreck:**

AQS-500-24-RGB Neon Flex

#### **Bottom Lookout:**

AQS-500-24-RGB Neon Flex  
Ltech DMX receivers and Ltech UX8  
and Wifi-104 Controller

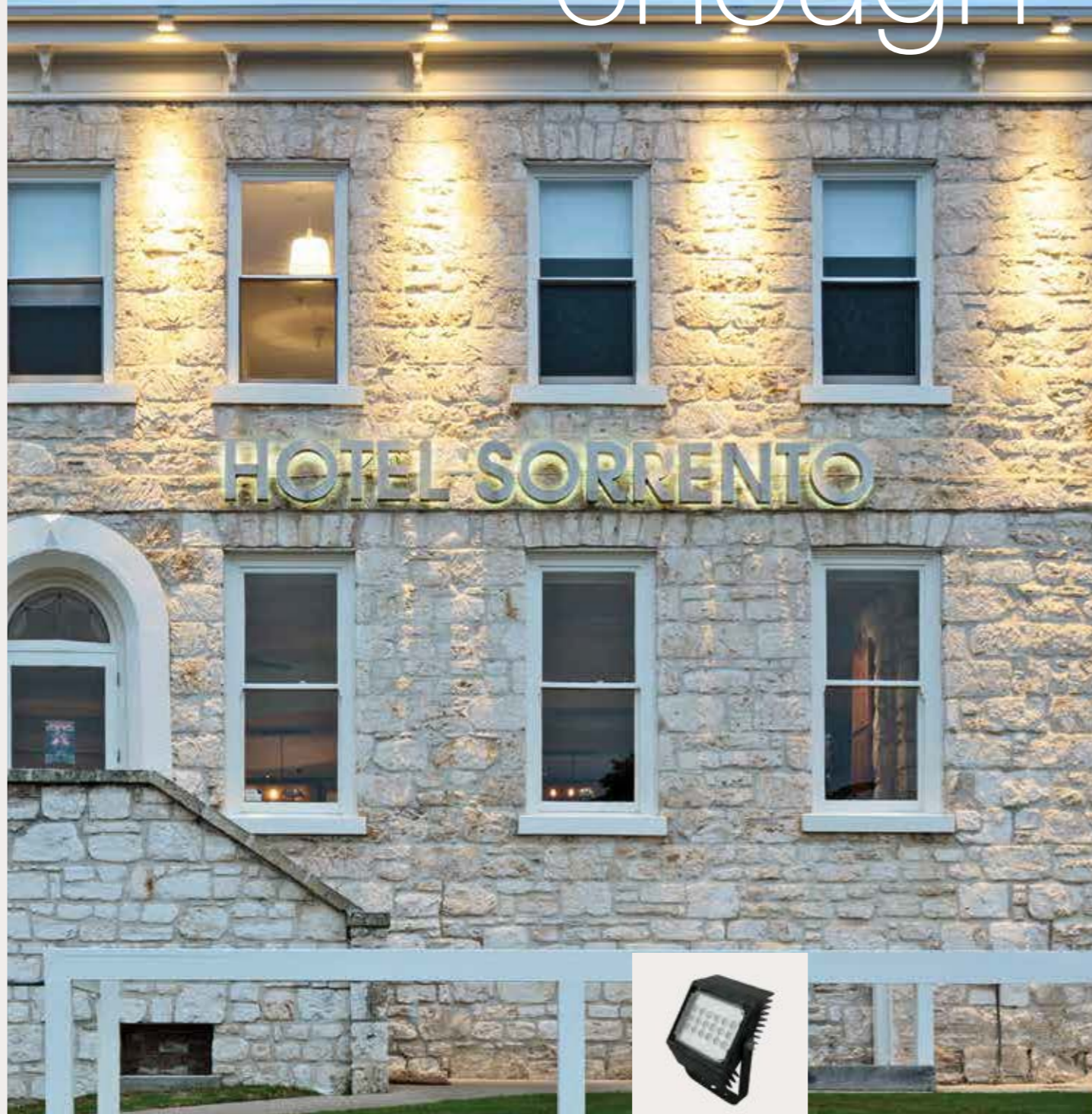


AQL-900 Series

**Floodlights, area lighting and street lights... sometimes you just need more light.**

Proven high-wattage, colour variants and remote flexibility delivers design and installation possibilities.

When a little  
light just isn't  
enough



## AQL-900 Series at a glance



# AQL-910



220mm

137mm

## TECHNICAL

**Product Code** AQL-910 **Product Family** Orion **Function Area / Floodlight Mounting** U-Bracket / M6 Bolts  
**Construction** Extruded Aluminium / Black Powder Coated **Electrical** 24V DC **Power** 50W Mono **IP Rating** IP65  
**Warranty** 3 Year Aqualux Warranty



Finish	Control Gear	Light Source	Optical	Cable
■ Black Powder Coat	24V DC Dimming: PWM Power Dimming	■ 50W / 3375lm 2700K / 900mA ■ 50W / 3375lm 5000K / 900mA	Medium (25°) Wide (40°) Wide (60°)	Aqualux Cable (1M Std)



Specifications subject to change, always check website for the latest details.

# AQL-911



220mm

260mm

## TECHNICAL

**Product Code** AQL-911 **Product Family** Orion **Function Area / Floodlight Mounting** U-Bracket / M6 Bolts  
**Construction** Extruded Aluminium / Black Powder Coated **Electrical** 24V DC **Power** 100W Mono **IP Rating** IP65  
**Warranty** 3 Year Aqualux Warranty



Finish	Control Gear	Light Source	Optical	Cable
■ Black Powder Coat	24V DC Dimming: PWM Power Dimming	■ 100W / 6750lm 2700K / 900mA ■ 100W / 6750lm 5000K / 900mA	Medium (25°) Wide (40°) Wide (60°)	Aqualux Cable (1M Std)



Specifications subject to change, always check website for the latest details.

Floodlights

# AQL-912



137mm

220mm

## TECHNICAL

**Product Code** AQL-912 **Product Family** Orion **LED** 6 x 5050 RGBW 4-in-1 LED **Output** 2450 lms @ 100% RGBW  
**Mounting** U-Bracket / M6 Bolts SS316 **Construction** Extruded 6061 Aluminium **Electrical** 24V DC / RGBW Control **Power** 50W  
**IP Rating** IP65 **Warranty** 3 Year Warranty **L70** 30,000 hrs @ 100% RGBW **Operating Temp** -10C ~ +40C



Finish	Control Gear	Light Source	Optical	Cable
■ Black Powder Coat	24V DC Dimming: PWM Power Dimming	50W / 2775lm RGB+3000K	Medium (30°) Wide (50°) Flood (70°)	Aqualux Cable (1M Std)



Specifications subject to change, always check website for the latest details.

Floodlights

# AQL-913



260mm

220mm

## TECHNICAL

**Product Code** AQL-913 **Product Family** Orion **LED** 12 x 5050 RGBW 4-in-1 LED **Output** 5560 lms @ 100% RGBW  
**Mounting** U-Bracket / M6 Bolts SS316 **Construction** Extruded 6061 Aluminium **Electrical** 24V DC / RGBW Control **Power** 100W  
**IP Rating** IP65 **Warranty** 3 Year Warranty **L70** 30,000 hrs @ 100% RGBW **Operating Temp** -10C ~ +40C



Finish	Control Gear	Light Source	Optical	Cable
■ Black Powder Coat	24V DC Dimming: PWM Power Dimming	100W / 5550lm RGB+3000K	Medium (30°) Wide (50°) Flood (70°)	Aqualux Cable (1M Std)



Specifications subject to change, always check website for the latest details.

# AQL-931



## TECHNICAL

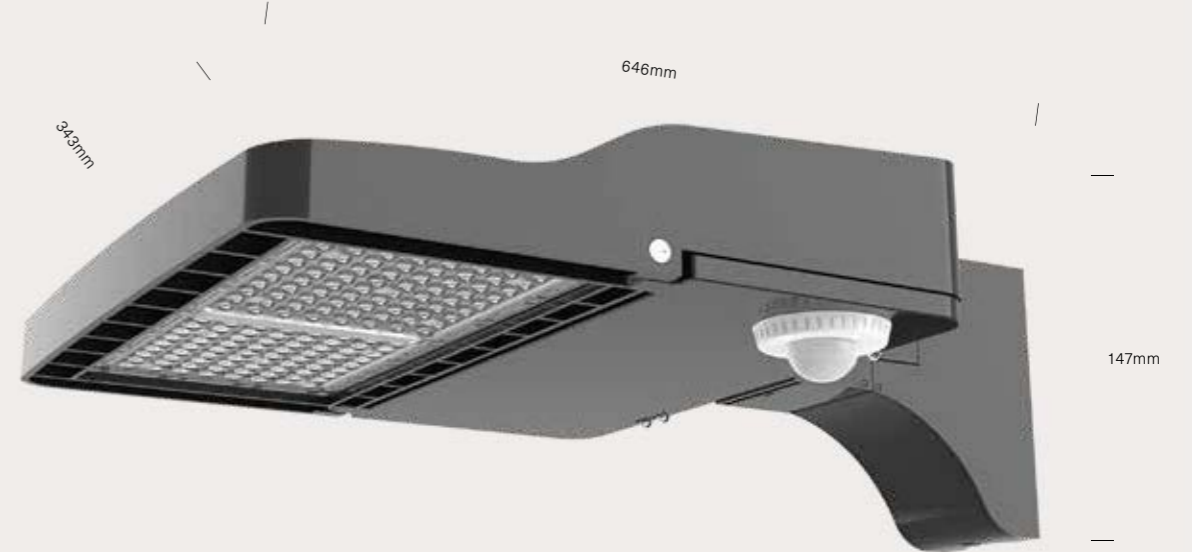
**Product Code** AQL-931 **Product Family** Area & Linear **Function** Area Lights **Construction** Aluminium + Black Powder Coat  
**Electrical** 110-277V AC (Custom Driver Options Available) **IP Rating** IP65 **Warranty** 5 Year Aqualux Warranty  
**Note:** Dimension sizes and power outputs change per variant. Check datasheets from the Aqualux website

Product Code	CCT	Beam Angles	Watts	Lumens
AQL-931-F100	3000K	15°	100W	13000
AQL-931-F200	4000K	30°	200W	26000
AQL-931-F300	5700K	45°	300W	39000
AQL-931-F400	6500K	60°	400W	52000
AQL-931-F500		90°	500W	65000
AQL-931-F600		45°*95°	600W	78000
AQL-931-F800			800W	104000
AQL-931-F1000			1000W	130000



Specifications subject to change, always check website for the latest details.

# AQL-933



## TECHNICAL

**Product Code** AQL-933 **Product Family** Area & Linear **Function** Area Lights **Construction** Aluminium  
**Electrical** 200-277V AC **IP Rating** IP65 **Warranty** 5 Year Aqualux Warranty  
**Note:** Dimension sizes and power outputs change per variant. Check datasheets from the Aqualux website

Product Code	CCT	Beam Angles	Watts	Lumens
AQL-933-F100	3000K	T3	100W	14000
AQL-933-F150	4000K	T4	150W	21000
AQL-933-F200	5000K	T5	200W	28000
AQL-933-F250	5700K		250W	35000
AQL-933-F300	6500K		300W	42000
AQL-933-F350			350W	49000



Specifications subject to change, always check website for the latest details.

# Marina Mirage Sails

MAIN BEACH - QLD



"Just to say thank you to the Aqualux team for not only supplying amazing products for the Marina Mirage shade sails project but also the design & additional behind the scenes programming that have made the Marina Mirage site an iconic statement on the Gold Coast.

The amazing vibrant and vivid colours that are projected onto the huge sails offer stunning effects at night. The whole project was a very big success & we thank you all."

– Daryl Bancroft (Alpha Led) & Dave Garside (Wolfie IT).

**PARTNER**  
Alpha Led

**LOCATION**  
Main Beach, QLD

**PROJECT BRIEF**  
27 x AQL-910-MS-RGBW 50W  
Flood lights (small sails)  
27 x AQL-910-MS-RGBW 100W  
Flood lights (large sails)

All individually controllable via a Nicolaudie Stick-DE3 controller





# String Lighting

**Designed to be robust, our LED Festoon and Fairy-lights are low energy and low maintenance.**

Creating a celebratory atmosphere perfect for commercial and residential landscapes.

String Lighting

# AQF / FESTOON



## TECHNICAL

**Product Code** AQF-C **Electrical** 24V AC / DC **Connector** Twin Core 1.5mm / 1m cable **IP Rating** IP65  
**Mounting** E27 Lamp holder **Construction** PVC Rubber & Polycarbonate Lens **Warranty** 3 Year Aqualux Warranty



Product Code	CCT	Voltage	Watts Per/Meter	Lumens Per/Meter
AQF-C-050B	2200k	24V AC or DC	Lamp Dependent	Lamp Dependent
AQF-C-100B	2700k			

Product Code	Description
AQF-D-050	Droppers
AQF-D-100	Droppers
AQF-D-200	Droppers



Specifications subject to change, always check website for the latest details.

String Lighting

# AQF / FAIRY LIGHTS



## TECHNICAL

**Product Code** AQF-FL **Voltage** 24V DC **Power** 2.2W / 5M **IP Rating** IP65 **Available Lengths** 5M / 10M / 20M  
**Connector** QC Connector / 12 Way Connector **Construction** PVC Rubber & Polycarbonate Lense **Warranty** 3 Year Aqualux Warranty

Product Code	CCT	Voltage	Watts Per/Meter	Length
AQF-FL-GWW-5M	2200k	24V DC	2.16w	5m
AQF-FL-GWW-10M	2200k	24V DC	4.32w	10m
AQF-FL-GWW-20M	2200k	24V DC	8.64w	20m

Product Code	Description
AQF-FL-C12	Fairy Lights Circle Connector 12-Way
AQF-FL-EXT-5W	Fairy Lights, 5m Extension



Specifications subject to change, always check website for the latest details.

# Cardinals Salamanca Wharf

HOBART - TAS

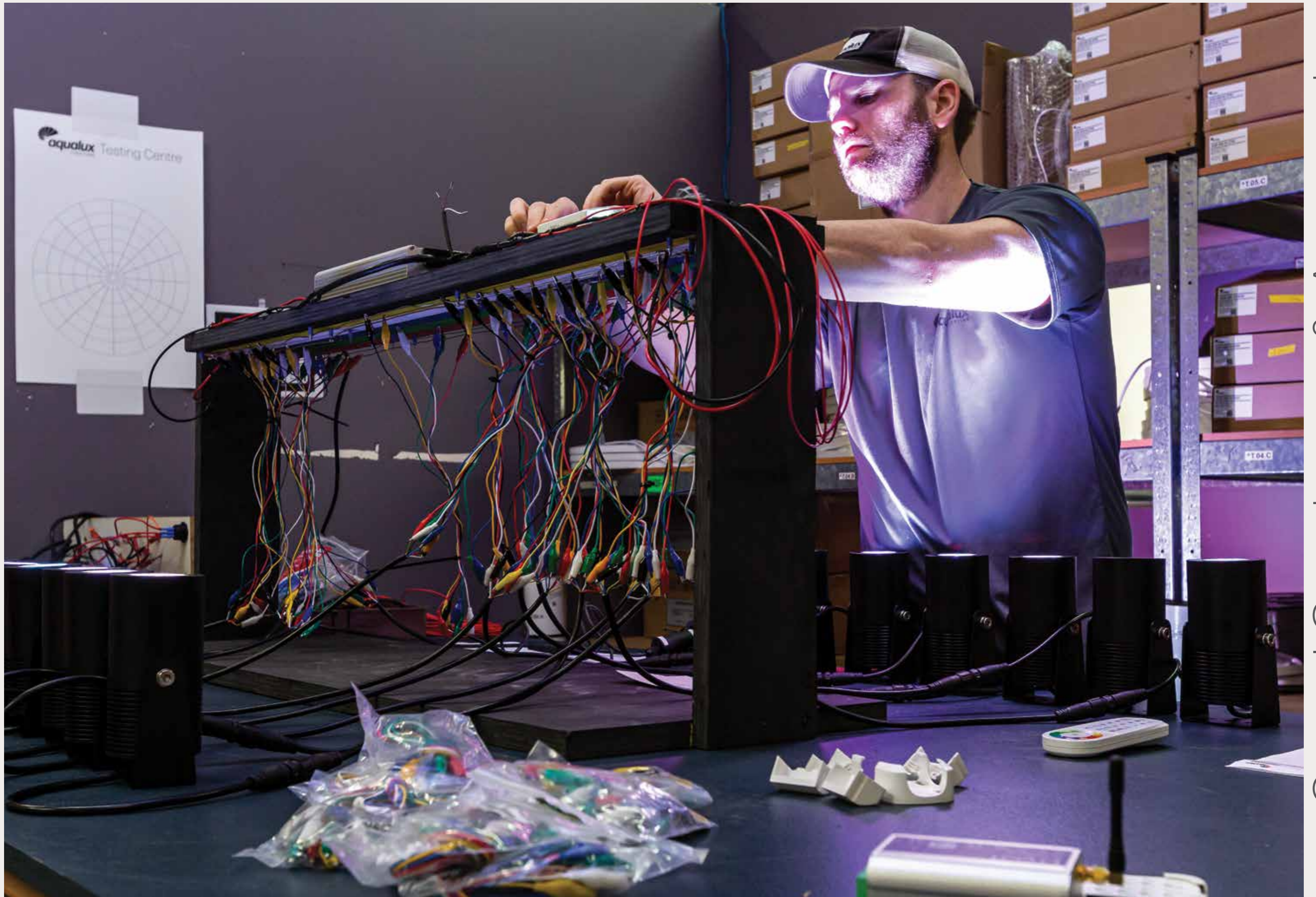


**PARTNER**  
Lights n Lamps  
Hobart City Council

**LOCATION**  
Hobart, Australia

**PROJECT BRIEF**  
Retrofit lighting of the iconic  
Cardinal sculptures at Salamanca Bay,  
Hobart

High-output RGB strip lights and  
AQL-910 RGBW floodlights. DMX  
control system



# Control Gear, Lamps & Accessories

**The nuts and bolts about the technology and its uses.**

Controllers, drivers, converters, power supplies, repeaters and globes the brains and accessories.

Control Gear

# AQO AC Power



## TECHNICAL

Product Code AQO Input Voltage 230V AC / 50Hz Output Voltage 12V AC / 24V AC Input Cable 1.8m Flex & Plug  
Output Cable 1M 8mm<sup>2</sup> Cable Warranty 10 Year Aquatran Warranty IP Rating IP67

Product Code	Voltage	Watts
AQO12-020	12V AC	20W
AQO12-050	12V AC	50W
AQO12-100	12V AC	100W
AQO12-200	12V AC	200W
AQO24-050	24V AC	50W
AQO24-100	24V AC	100W
AQO24-200	24V AC	200W
AQO24-300	24V AC	300W
AQO24-400	24V AC	400W



Specifications subject to change, always check website for the latest details.

Control Gear

# AQD DC Power



## TECHNICAL

Product Code AQD Input Voltage 230V AC / 50Hz Output Voltage 24V DC Input Cable 1.8m Flex & Plug  
Output Cable 500mm Twin Core Warranty 5 Year Aquatran Warranty IP Rating IP67 Safety Short Circuit / Thermal Protection

Product Code	Input	Voltage	Watts	Current
AQD24-050	100 - 240V / 50Hz	24V DC	50W	2.3A
AQD24-100	100 - 240V / 50Hz	24V DC	100W	4A
AQD24-200	100 - 240V / 50Hz	24V DC	200W	8.3A



Specifications subject to change, always check website for the latest details.

Lamps

# AGL-250 / 4W



## TECHNICAL

Product Code AGL-250 Available CCT 3000K / 5700K Available Colours Red / Green / Blue / Amber Input Voltage 12 ~ 24V AC / DC  
 Optical Beam 38° FWHM Luminous Flux 250lm (3000K) Power 4W Lamp Base MR16 L70 30,000 hrs Dimensions 50 x 46mm  
 Warranty 2 Year Aqualux Warranty

Product Code	CCT	Voltage	Watts Per/Meter	Beam Angle
AGL-250	Red	12 ~ 24V AC / DC	4W	10° - 3000K
	Green			38° - 3000K / 5700K
	Blue			38° - R / R / B / Amber
	Amber			60° - 3000K
	3000k			
	5700k			



Specifications subject to change, always check website for the latest details.

Lamps

# AGL-550 / 6W



## TECHNICAL

Product Code AGL-550 Available CCT 3000K Input Voltage 12 ~ 24V AC/DC Available Beam Angles 36° FWHM / 60° FWHM  
 Luminous Flux 550lm (36°) Power 6W Lamp Base MR16 L70 30,000 hrs Dimensions 50 x 47mm Warranty 2 Year Aqualux Warranty

Product Code	CCT	Voltage	Watts Per/Meter	Beam Angle
AGL-550	3000k	12 ~ 24V AC / DC	6W	36° - 3000K 60° - 3000K



Specifications subject to change, always check website for the latest details.

# AQF-G-002



## TECHNICAL

**Product Code** AQF-G-002 **Available CCT** 2200K **Construction** Polycarbonate Lens **IP Rating** IP44 (Globe Only)  
**Input Voltage** 24V AC / DC **Power** 0.5W **Lamp Base** E27 **L70** 30,000 hrs **Dimensions** 45.5 x 69.5mm  
**Warranty** 3 Year Aqualux Warranty

Product Code	CCT	Voltage	Watts Per/Meter	Lumens Per/Meter
AQF-G-002	2200k	24V AC / DC	0.5W	43lm



Specifications subject to change, always check website for the latest details.

# AQF-G-003



## TECHNICAL

**Product Code** AQF-G-003 **Available CCT** 2700K **Construction** Polycarbonate Lens **IP Rating** IP44 (Globe Only)  
**Input Voltage** 24V AC / DC **Power** 1W **Lamp Base** E27 **L70** 30,000 hrs **Dimensions** 45.5 x 69.5mm  
**Warranty** 3 Year Aqualux Warranty

Product Code	CCT	Voltage	Watts Per/Meter	Lumens Per/Meter
AQF-G-003	2700k	24V AC / DC	1W	80lm



Specifications subject to change, always check website for the latest details.

Control Gear

# AQD-400-WIFI 104



## TECHNICAL

Product Code AQD-400-WiFi 104 Output Signal PW-CV Protocol 2.4GHz WiFi Dimming Range 0 - 100%  
Cable 2.5mm<sup>2</sup> Warranty 2 Year Aqualux Warranty

Product Code	Input Volage	Output Power	Channels	Output Control
AQD-400-WiFi 104	12 ~ 24V DC	192W / 284W	4	Dimming, CT, RGB, RGBW

Control Gear

# AQD-400-WIFI 106



## TECHNICAL

Product Code AQD-400-WiFi 106 Output Signal PW-CV Protocol 2.4GHz WiFi, 802.11b/g/n Dimming Range 0 - 100%  
Control Distance Max 100m (line of sight) Cable 2.5mm<sup>2</sup> Warranty 5 Year Aqualux Warranty

Product Code	Input Volage	Output Power	Channels	Output Control
AQD-400-WiFi 106	12 ~ 24V DC	192W / 384W	4	Dimming, CT, RGB, RGBW



Control Gear

# AQD-400-T3-CV



## TECHNICAL

**Product Code** AQD-400-T3-CV **Modes** Single Colour / CCT Tuning / Dimming **Remote** T1/T2/T2M/T3/T3M/T3X  
**Range** 30M (Location Dependant) **Power** 5V / 12V / 24V **Warranty** 2 Year Aqualux Warranty

Product Code	Frequency	Voltage	Watts	Load
AQD-400-T3-CV	2.4GHz	12 ~ 24V DC	90W / 216W / 432W	3CH x 6A - 18A Total



Specifications subject to change, always check website for the latest details.

Control Gear

# AQD-400-T4-RGBW



## TECHNICAL

**Product Code** AQD-400-T4RGBW **Modes** Single Colour / Colour Changing Programs / Custom **Receiver** AQD-400-T4CV  
**Remote** AQD-400-T4 **Range** 30M (Location Dependant) **Power** 5V / 12V / 24V **Warranty** 2 Year Aqualux Warranty

Product Code	Frequency	Voltage	Watts	Load
AQD-400-T4RGBW	2.4GHz	12 ~ 24V DC	240W / 480W	4CH x 5A - 20A Total



Specifications subject to change, always check website for the latest details.

# AQD-400-LT912-OLED



## TECHNICAL

**Product Code** AQD-400-LT912-OLED **Modes** Dimming / CT / RGB **Output Power** (0 ~ 48W...96W x 12CH Max. 1152W)  
**DMX Interface** 5-pin XLR, RJ45, Green Terminal **Grey Level** 8 Bit (256 levels) / 16 Bit (65536 levels) **Photoelectric Isolation** Yes  
**Protection** Short Circuit / Over Load **Warranty** 2 Year Aqualux Warranty

Product Code	Input Voltage	Dimming Curve	Input Signal	Load
AQD-400-LT912-OLED	12 ~ 24V DC	0.1 ~ 9.9	DMX512 / RDM	12CH x 4A - Max 48A

# AQD-400-LT916-OLED



## TECHNICAL

**Product Code** AQD-400-LT916-OLED **Modes** Dimming / CT / RGB / RGBW **Output Power** (0 ~ 36W...72W x 16CH Max. 1152W)  
**DMX Interface** 5-pin XLR, RJ45, Green Terminal **Grey Level** 8 Bit (256 levels) / 16 Bit (65536 levels) **Photoelectric Isolation** Yes  
**Protection** Short Circuit / Over Load **Warranty** 2 Year Aqualux Warranty

Product Code	Input Voltage	Dimming Curve	Input Signal	Load
AQD-400-LT916-OLED	12 ~ 24V DC	0.1 ~ 9.9	DMX512 / RDM	16CH x 3A - Max 48A

Control Gear

# AQD-400-LT924-OLED



## TECHNICAL

**Product Code** AQD-400-LT924-OLED **Modes** Dimming / CT / RGB **Output Power** (0 ~ 36W..72W x 24CH Max. 1728W)  
**DMX Interface** 3-pin XLR, 5-pin XLR, RJ45, Green Terminal **Grey Level** 8 Bit (256 levels) / 16 Bit (65536 levels)  
**Photoelectric Isolation** Yes **Protection** Short Circuit / Over Load **Warranty** 2 Year Aqualux Warranty

Product Code	Input Voltage	Dimming Curve	Input Signal	Load
AQD-400-LT924-OLED	12 ~ 24V DC	0.1 ~ 9.9	DMX512 / RDM	24CH x 43 - Max 72A



Specifications subject to change, always check website for the latest details.

Control Gear

# AQD-400-LT932-OLED



## TECHNICAL

**Product Code** AQD-400-LT932-OLED **Modes** Dimming / CT / RGB / RGBW **Output Power** (0 ~ 36W..72W x 32CH Max. 2304W)  
**DMX Interface** XLR-3, WLR-5, RJ45, Green Terminal **Grey Level** 8 Bit (256 levels) / 16 Bit (65536 levels) **Photoelectric Isolation** Yes  
**Protection** Short Circuit / Over Load **Warranty** 2 Year Aqualux Warranty

Product Code	Input Voltage	Dimming Curve	Input Signal	Load
AQD-400-LT932-OLED	12 ~ 24V DC	0.1 ~ 9.9	DMX512 / RDM	32CH x 3A - Max 96A



Specifications subject to change, always check website for the latest details.



The next layer of details and the Aqualux way.

A glossary or terms and knowledge base supporting our products with confidence.

# The Glossary of Lighting Terms

## Luminous Intensity (candela, cd)

1 cd = 1 lm / sr .

Luminous intensity is the light emitted in a given direction by a source. It is measured in candela (cd). The candela is an SI base unit from which other lighting related units are derived. The candela is defined as "the luminous intensity, in a given direction, of a source that emits monochromatic radiation of frequency  $540 \times 10^{12}$  Hz and that has a radiant intensity in that direction of  $1/683$  W per steradian."

## Luminous Flux (lumen, lm)

1 lm = 1cd . 1 sr

Luminous flux is the total amount of light emitted from a source in all directions. It can be used to approximate the "brightness" of a source, given that it is an average of the visible portion of the spectra emitted by a light source weighted by a function known as 'v-lambda' that describes the human visual systems sensitivity to light of different wavelengths. The lumen is a derived unit defined as 1 candela emitted in 1 unit solid angle, or steradian.

## Radiant Flux (W)

The radiant flux of a light source is a measure of the total power emitted by a source across the entire electromagnetic spectrum, including non-visible portions such as UV and IR. In lighting, radiant flux is used in order to determine the luminous efficacy of a light source.

## Luminous Efficacy (lm/W)

The luminous efficacy of a light source is determined by dividing the luminous flux by the radiant flux. The resulting fraction or coefficient describes the degree to which a source emits radiation in the visible or 'useful' part of the spectrum for lighting purposes. Energy emitted in wavelengths outside the visible portion of the spectrum reduces the overall luminous efficacy of a light source.

## Illuminance (lux, lx)

1 lx = 1 lm/m<sup>2</sup>

Illuminance is the light incident on the surface of a plane. It is a derivative unit where 1 lux = 1 lumen spread over 1 square meter. Illuminance can be further classified as perpendicular or horizontal illuminance, when needing to differentiate in the analysis of a lit environment. The inverse square law can be used to calculate the lux incident on a plane with a known source intensity and distance.

## Luminance (cd/m<sup>2</sup>)

Luminance is the light emitted from or reflected from a surface and approximates the brightness. It is dependant on the luminance of incident light and the reflectance of the surface. It is also commonly used to measure the brightness of a monitor or display.

## Color Rendering

The colour rendering ability of a light source is the degree to which the source alters the appearance of an illuminated object relative to the appearance of the object under a reference illuminant. The most commonly used system for measuring this is the Colour Rendering Index (CRI). A series of coloured patches are evaluated under the source illuminant and an average calculated and indexed to a score (Ra) out of 100. Although in widespread use, there are several issues with the CRI system. An improved standard is TM-30 which is now available.

## CCT

The colour temperature of a light source is a measure used to describe the appearance of a white-light source. 'Cool' sources are said to have a higher CCT (above 5000K) whilst 'Warm' sources have lower temperatures (below 3000K). It is referred to as correlated colour temperature because the appearance of the light source is being compared to that of an 'ideal' black-body radiator with a similar surface temperature measured in kelvin (K).

## Beam Angle (FWHM)

Full Width Half Maximum (FWHM) is an expression often found in the specification of LED optical systems. It refers to the width of the beam where the intensity is 50% of the maximum. This is typically measured by a goniophotometer during standard photometric testing. Some manufacturers may use different systems for specifying optical beam performance.

## Voltage Drop

Voltage drop in landscape lighting is the degree to which the starting voltage decreases over a given length of cable as a function of both the current load (A) and the resistance ( $\Omega$ ) of the cable. If the proper cable is not selected, voltage drop can produce faults such as low output or flickering lights. Selecting luminaires with the Aqualux MultiVoltage™ internal driver and using a 24V power supply can mitigate many of these issues, allowing for cheaper and more flexible installation.

## LM-80

The LM-80 standard is the IESNA approved method for determining lumen maintenance of LED light sources, e.g. how quickly the light output of an LED source degrades over time. It deals with actual measurements only.

## TM-21

TM-21 is a way of taking LM-80 data and making useful extrapolations in order to calculate longer LED lifetimes, given that testing for more than 10,000 hours is impractical. It is the TM-21 method that lets LED manufacturers determine the L70 and L80 lifetime expectancies of their LEDs.

## TM-30

TM-30 is the official replacement for the previous system (CRI) of determining the ability of a light source to accurately render colour in comparison to a reference source. Although not widely spread, TM-30 measurement is expected to be the future of CRI standards.

## LM-79

The LM-79 test report provides details about the performance of a total luminaire package, including wall-to-lumen efficacy, luminous flux, luminous intensity distribution and CCT / CRI details. It is the most common "lighting test report" available for many light fittings.

## IES File

An IES file is a digital representation of the zonal luminous intensity distribution of a light source. This file can be used by lighting software to accurately render the spread of light from a source to determine if the fitting provides the required illumination.

## Integrating Sphere

An integrating sphere is a device used to measure total luminous flux of a source. Comprised of a spherical housing the inner surface is coated with a highly diffuse paint. When a light is shone in through the aperture, the internal surface "integrates" the light into an average which a calibrated sensor can then use to determine the total flux.

## SPD

The Spectral Power Distribution "SPD" of a source represents the distribution of the radiant power throughout the visible spectrum. Usually defined in 5nm increments it can be used to determine the luminous efficacy of a light source and its colour rendering properties.

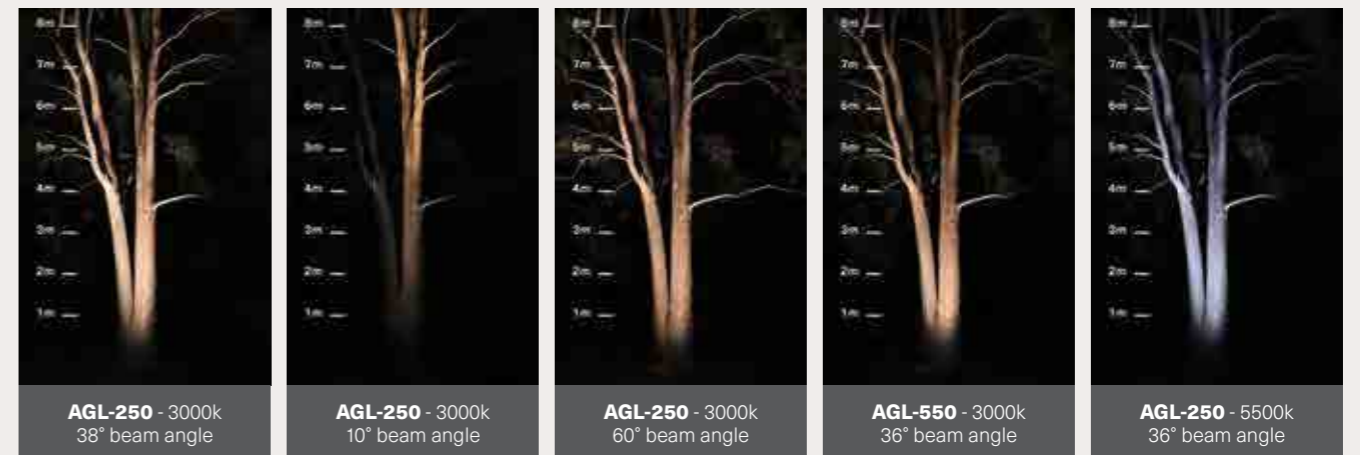
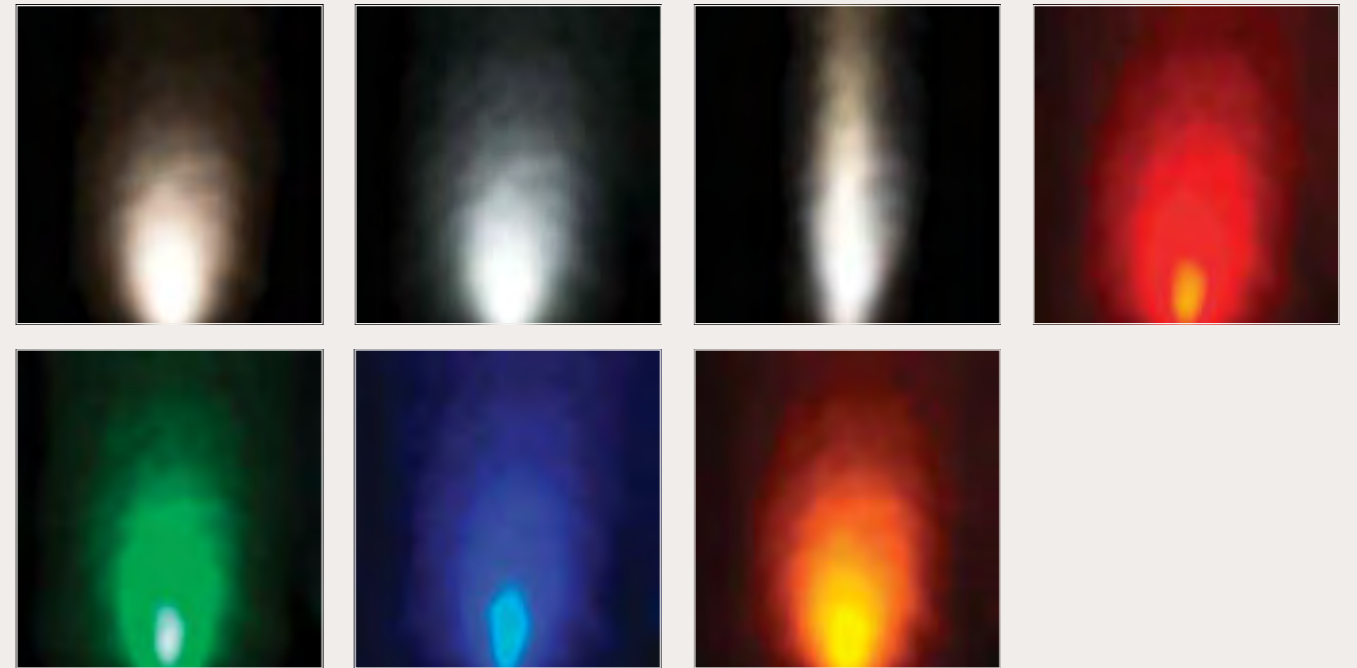
# Aqualux LED Lamps



## A complete range designed for landscape lighting

- ~ True MR16 GX5.3 Form, Fits most MR16 / GX5.3 Luminaires.
- ~ 4W High-Power LED technology, thermally optimised for enclosed fittings.
- ~ 3000K / 5700K / Amber / Red / Green / Blue for Lighting design flexibility.
- ~ 12 ~ 24V AC/DC MultiVoltage™ for ultimate installation flexibility.
- ~ New ultra-spot 10D model for highlighting columns, trees and features.

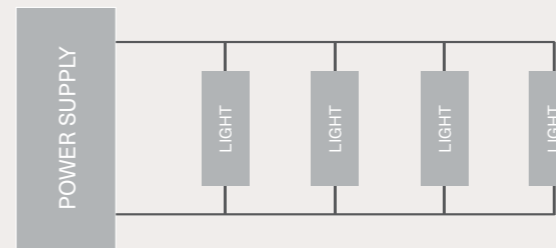
Product Code	CCT / Color		Lumens	Power	Beam	Voltage	Form
AGL-250-30X38	3000K		250lm	4W	38°	12~24V AC/DC	GX5.3 Base MR16 50 x 47mm
AGL-550-30X36	3000K		550lm	6W	36°		
AGL-250-55X38	5500K		250lm	4W	38°		
AGL-250-30X60	3000K		235lm	4W	60°		
AGL-550-30X60	3000K		525lm	6W	60°		
AGL-250-30X10	3000K		235lm	4W	10°		
AGL-250-RDX38	Red	627nm	-	4W	38°		
AGL-250-GNX38	Green	530nm	-	4W	38°		
AGL-250-BUX38	Blue	470nm	-	4W	38°		
AGL-250-AMX38	Amber	590nm	-	4W	38°		



# Wiring Materials and Corrosion

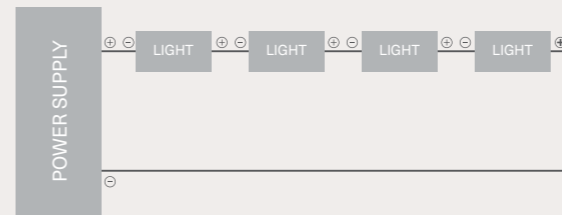
## Parallel Wiring

All Aqualux LED luminaires are designed to be wired in parallel. This is the most common electrical wiring approach used for standard residential & commercial installations.



## Series Wiring

For systems where internal drivers have been removed in order to provide dimming functionality series wiring is required, along with a Constant Current PSU.



## Aluminium (6063)



Aluminium can be grouped into two different categories with respect to outdoor lighting - Machined or Cast. Machined, 6000-series aluminum is a superior alloy and can be effectively anodized, a process which integrates a layer of extra-hard aluminium oxide into the surface of the metal and protects against corrosion.

- ~ Durable material (yacht masts, rock-climbing hardware etc).
- ~ Minimal maintenance / good thermal conductivity.
- ~ Variety of colours available.

## Brass



An alloy of tin & copper, brass is a material in common use for a wide variety of outdoor light fittings. Highly resistant to corrosion, brass will oxidize lightly over time but will generally not degrade structurally even in highly corrosive environments. Most brass fittings are generally cast and then machined.

- ~ Very durable material.
- ~ Available in different surface finishes.

## Copper



Copper is a popular option for more traditional settings and will naturally oxidize over time, turning a dark green colour as the metal reacts with oxygen in the air, unless it is continuously polished. Copper is one of the most expensive materials used in the construction of light fittings but also one of the most enduring.

- ~ Copper is a traditional look, will age naturally.
- ~ Will last the longest with minimal maintenance.
- ~ Variety of surface finishes available.

## Stainless Steel



Stainless Steel is a popular choice for luminaire construction. Featuring resistance to corrosion, Stainless Steel for luminaire construction comes in two common grades, 304 & 316 ("Marine Grade"). Stainless Steel must be maintained in order for it to retain its "stainless" appearance. Tea staining, dirt, salt and even rust can build up on any type of "Stainless" fitting unless it is properly maintained by wiping it down every few months with a damp cloth.

- ~ Reasonably durable material.
- ~ Requires maintenance to avoid tea-staining.
- ~ Can be electro-polished to improve corrosion resistance.

## Corrosion Control - Galvanic Table

The Galvanic Table lists metals in the order of their relative activity in sea water environment. The list begins with the more active (anodic) metal and proceeds down to the least active (cathodic) metal of the galvanic series.

Galvanic series relationships are useful as a guide for selecting metals to be joined, will help the selection of metals having minimal tendency to interact galvanically, or will indicate the need or degree of protection to be applied to lessen the expected potential interactions.

Generally, the closer one metal is to another in the series, the more compatible they will be, i.e., the galvanic effects will be minimal. Conversely, the farther one metal is from another, the greater the corrosion will be.

Active (Anodic)	
1. Magnesium	50. Muntz Metal 280
2. Mg alloy AZ-31B	51. Brass (plated)
3. Mg alloy HK-31A	52. Nickel-silver (18% Ni)
4. Zinc (hot-dip, die cast, or plated)	53. Stainless steel 316L (active)
5. Beryllium (hot pressed)	54. Bronze 220
6. Al 7072 clad on 7075	55. Copper 110
7. Al 2014-T3	56. Red Brass
8. Al 1160-H14	57. Stainless steel 347 (active)
9. Al 7079-T6	58. Molybdenum, Commercial pure
10. Cadmium (plated)	59. Copper-nickel 715
11. Uranium	60. Admiralty brass
12. Al 218 (die cast)	61. Stainless steel 202 (active)
13. Al 5052-0	62. Bronze, Phosphor 534 (B-1)
14. Al 5052-H12	63. Monel 400
15. Al 5456-0, H353	64. Stainless steel 201 (active)
16. Al 5052-H32	65. Carpenter 20 (active)
17. Al 1100-0	66. Stainless steel 321 (active)
18. Al 3003-H25	67. Stainless steel 316 (active)
19. Al 6061-T6	68. Stainless steel 309 (active)
20. Al A360 (die cast)	69. Stainless steel 17-7PH (passive)
21. Al 7075-T6	70. Silicone Bronze 655
22. Al 6061-0	71. Stainless steel 304 (passive)
23. Indium	72. Stainless steel 301a (passive)
24. Al 2014-0	73. Stainless steel 321 (passive)
25. Al 2024-T4	74. Stainless steel 201 (passive)
26. Al 5052-H16	75. Stainless steel 286 (passive)
27. Tin (plated)	76. Stainless steel 316L (passive)
28. Stainless steel 430 (active)	77. AM355 (active)
29. Lead	78. Stainless steel 202 (passive)
30. Steel 1010	79. Carpenter 20 (passive)
31. Iron (cast)	80. AM355 (passive)
32. Stainless steel 410 (active)	81. A286 (passive)
33. Copper (plated, cast, or wrought)	82. Titanium 5A1, 2.5 Sn
34. Nickel (plated)	83. Titanium 13V, 11Cr, 3Al (annealed)
35. Chromium (Plated)	84. Titanium 6Al, 4V (solution treated and aged)
36. Tantalum	85. Titanium 6Al, 4V (anneal)
37. AM350 (active)	86. Titanium 8Mn
38. Stainless steel 310 (active)	87. Titanium 13V, 11Cr 3Al (heat treated and aged)
39. Stainless steel 301 (active)	88. Titanium 75A
40. Stainless steel 304 (active)	89. AM350 (passive)
41. Stainless steel 430 (active)	90. Silver
42. Stainless steel 410 (active)	91. Gold
43. Stainless steel 17-7PH (active)	92. Graphite
44. Tungsten	<b>End - Noble (Less Active, Cathodic)</b>
45. Niobium (columbium) 1% Zr	
46. Brass, Yellow, 268	
47. Uranium 8% Mo.	
48. Brass, Naval, 464	
49. Yellow Brass	

# IP/IK Ratings and CCT Guide

## IP Ratings

The IP (Ingress Protection) rating system provides a means of classifying the degrees of protection from foreign bodies and liquids afforded by electrical equipment and enclosures. The degrees of protection against the ingress of foreign bodies and liquids are indicated by the first two numerals as detailed in the table below.

### 1ST NUMBER

0	No Protection
1	Protected against ingress of objects => 52mm in diameter.
2	Protected against ingress of objects => 12.5mm in diameter.
3	Protected against ingress of objects => 2.5mm in diameter.
4	Protected against ingress of objects => 1mm in diameter.
5	Dust Protected
6	Dust Tight

### 2ND NUMBER

0	No Protection
1	Protected against vertically falling drops of water.
2	Protected against falling drops of water, when enclosure tilted 15 degrees.
3	Protected against spraying water.
4	Protected against splashing water.
5	Protected against water jets.
6	Protected against powerful water jets.
7	Protected against the effects of temporary immersion in water.
8	Protected against the effects of continuous immersion in water.

## IK Ratings

The IK rating system was introduced in October 1995 as EN62262. It describes the degree to which an electrical enclosure can protect the internal equipment from the effects of mechanical impact.

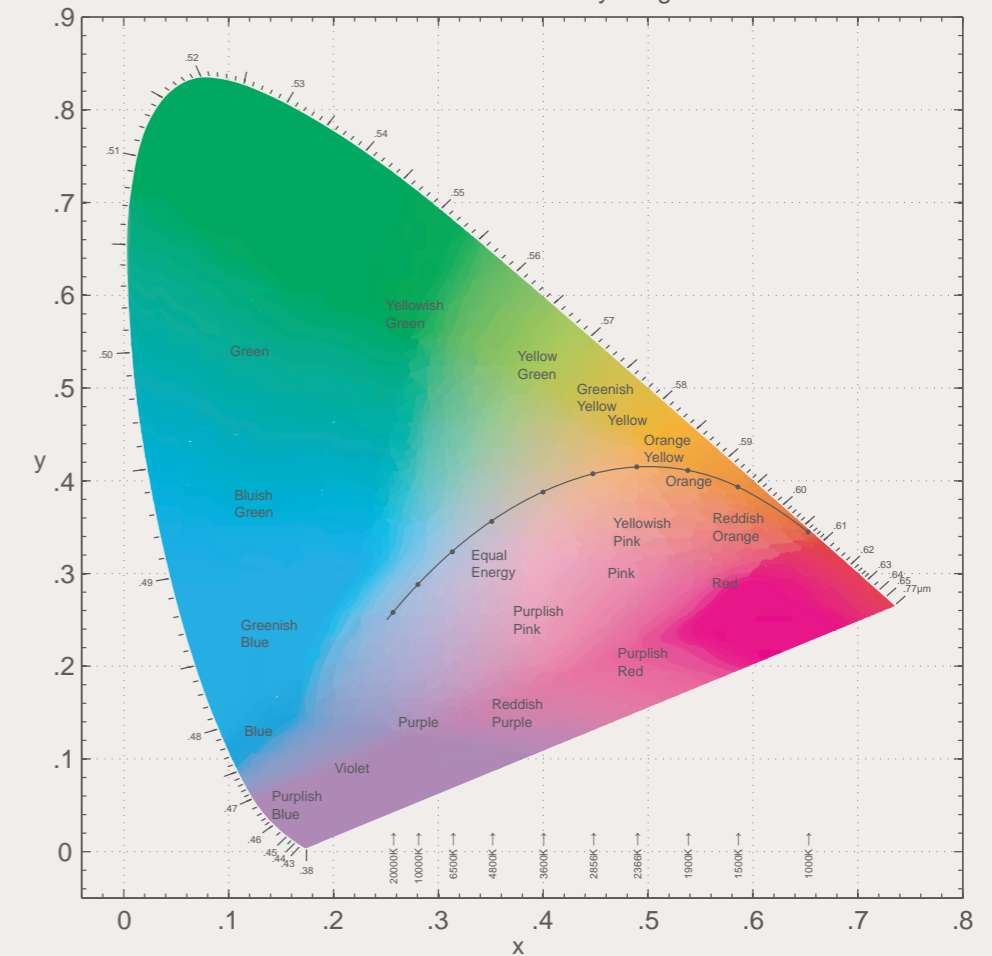
<b>IK00</b>	<b>Not protected</b>
<b>IK01</b>	<b>Protected against 0.14 joules impact.</b> Equivalent to impact of 0.25 kg mass dropped from 56 mm above impacted surface.
<b>IK02</b>	<b>Protected against 0.2 joules impact.</b> Equivalent to impact of 0.25 kg mass dropped from 80 mm above impacted surface.
<b>IK03</b>	<b>Protected against 0.35 joules impact.</b> Equivalent to impact of 0.25 kg mass dropped from 140 mm above impacted surface.
<b>IK04</b>	<b>Protected against 0.5 joules impact.</b> Equivalent to impact of 0.25 kg mass dropped from 200 mm above impacted surface.
<b>IK05</b>	<b>Protected against 0.7 joules impact.</b> Equivalent to impact of 0.25 kg mass dropped from 280 mm above impacted surface.
<b>IK06</b>	<b>Protected against 1 joules impact.</b> Equivalent to impact of 0.25 kg mass dropped from 400 mm above impacted surface.
<b>IK07</b>	<b>Protected against 2 joules impact.</b> Equivalent to impact of 0.5 kg mass dropped from 400 mm above impacted surface.
<b>IK08</b>	<b>Protected against 5 joules impact.</b> Equivalent to impact of 1.7 kg mass dropped from 300 mm above impacted surface.
<b>IK09</b>	<b>Protected against 10 joules impact.</b> Equivalent to impact of 5 kg mass dropped from 200 mm above impacted surface.
<b>IK10</b>	<b>Protected against 20 joules impact.</b> Equivalent to impact of 5 kg mass dropped from 400 mm above impacted surface.

## CCT - Correlated Colour Temperature

Color Temperature is the chromacity of a light source as determined by it's position on an imaginary line drawn through a colour space. This line is often referred to as a 'blackbody locus', as it is the locus (line) resulting from graphing the chromacity of a perfect blackbody radiator as it changes temperature. In general, "hotter" CCT's appear "cooler/bluer" whilst "colder" CCT's appear "warmer/more red".

CCT	Example
2000°	Gaslight
2470°	15 watt incandescent bulb
2565°	60 watt incandescent bulb
2665°	100 watt incandescent bulb
2755°	500 watt incandescent bulb
2900°	500 watt Krypton bulb
3100°	Projector type filament bulb
3250°	Photo Flood
3400°	Halogen
3900°	Carbon arc
4200°	Moonlight
4700°	Industrial smog
5100°	Hazy weather
5500°	Sun 30° above horizon
6100°	Sun 50° above horizon
6700°	Electronic Flash
7400°	Overcast sky
8300°	Foggy weather
30,000°	Blue sky

C.I.E. 1931 Chromaticity Diagram



The International Commission on Illumination - commonly abbreviated as CIE.



# Standard and Aqualux+ Warranty Guide

## Aqualux Limited Warranty Information / Rev 2016.1

Aqualux designs and manufactures advanced landscape lighting of many different varieties. We utilise the highest grade components sourced from around the globe and assembled in our quality-controlled Sydney, Australia facility.

From time-to-time, for a number of possible reasons, our products may experience an issue after installation. This warranty guide details the various warranties our products carry, the causes of product failure that we have experienced over time and the steps necessary to make a warranty claim should that be necessary.

## Fit-for-Purpose & Installation Requirements

All warranties offered in addition to the statutory requirement of 1 Year are done so on the condition that Aqualux lighting products are fit-for-purpose and installed professionally or by similarly qualified persons and that all guidelines and requirements are followed.

Fit-for-purpose in this context refers to the intended application our products are designed for which is residential and commercial garden & landscaping environments. Products not specifically designated IP68 are not fit for submersion, either intended or accidental.

## Remote, Difficult & Unusual Installations

Where Aqualux products are installed in unusual, remote or difficult to access locations and environments, this is done so at the end-users risk. Where warranty issues arise, Aqualux is limited in it's liability to the cost of repairing or replacing the product only.

Examples of remote & unusual installations include (but are not limited to) jobs which require scissor lifts, traffic management, significant labor or the removal of paneling or other secondary installation materials.

If you are uncertain please contact us to discuss: 1300-662-644.

## AQS-Series Strip Lighting

Please pay particular attention to our fit-for-purpose and unusual installation warranty notes when designing with AQS LED Strip Lighting.

Whilst LED strip lighting allows for very unique and previously impossible lighting effects to be achieved, it is still a sensitive electronic device that is potentially subject to failure through a variety of modes including improper handling during installation.

Aqualux is not liable for any costs associated with accessing or replacing AQS-Series strip.

## Warranty Claims Procedure

To make a claim for service to repair or replace under an Aqualux warranty. Contact the original reseller and/or installer of the product. They will generally be able to process the claim on your behalf.

If your original reseller is no longer in business or you are not sure who it may have been, please contact us directly with a photo of your product and a summary of the issue.

## Cable Termination Requirements

Cable terminations and joins MUST be IP68 rated for this warranty to apply. Joins and connections that are not fit-for-purpose or that are manifestly unsuitable will NOT be serviced by Aqualux and any product failure arising from such terminations will void any warranty available from Aqualux.

### Examples of inadequate joining methods:

- 1) Terminal block + electrical tape
- 2) Twisted wires (no solder) + electrical tape.
- 3) Multiple conductor bundles & terminations that are not IP rated.

## The Fine Print

Aqualux Lighting is a brand wholly owned by Telectran International. Telectran International Pty. Ltd. ("Telectran") warrants to the purchaser of products described herein to be free from defects in material and workmanship for a period commencing at the date of purchase and expiring at the end of the period specified (the "warranty period"). No other warranty, whether express or implied, including any warranty of merchantability or fitness for a particular purpose, shall exist in connection with the sale or use of such products.

### Warranty is subject to the following limitations:

1. Defects that are, in the sole judgment of Telectran, the result of accident, misuse, abuse, neglect, mishandling, misapplication, faulty installation, unauthorized repair, modification, or acts of God will not be covered by this warranty.
2. Telectran shall not be liable for incidental or consequential damages, including but not limited to labor costs or lost profits resulting from the use of or inability to use the goods or from the goods being incorporated in or becoming a component of any other product. Without limiting the generality of the foregoing, Telectran will not be responsible for labor costs involved in the removal of goods or the installation of replacement goods.
3. If a problem develops with a product during the warranty period call or write us. We may be able to help you identify specific problems and possibly solve them before the unit is returned to us for repair or replacement. In any case, DO NOT RETURN ANY GOODS WITHOUT OBTAINING A RETURN AUTHORIZATION NUMBER and instructions from us. Telectran cannot be responsible for damage due to shipping or improper packaging when returning goods. Please see our returns policy for further information.
4. All claims under this warranty must be made in writing. Upon receipt of claim, the Company shall inspect the part or parts claimed to be defective, and the Company shall repair, or at it's option, replace, free of charge, any part or parts which the Company determines to have been defective at the time of shipment from the factory; provided, however, that if circumstances are such as to preclude the remedying of warranted defect by repair or replacement, the Company shall, upon return of the products, refund to buyer any part of the purchase price of the products theretofore paid to the Company. Inspection shall, at the Company's option, be performed at the Company's plant, or at such other place as may be designated by the Company.

# No dipping

Voltage drop can be measured in a circuit with a standard Multimeter. Better still, the voltage drop can be calculated in advance using our online Voltage Drop Calculator.

**Voltage Drop Calculator**

**SYSTEM SETTINGS**

System Voltage: 240V  
Minimum Voltage Drop: 10%  
Number of Lights: 5

Cable Options: 1mm<sup>2</sup>, 1.5mm<sup>2</sup>, 2.5mm<sup>2</sup>, 4mm<sup>2</sup>, 6mm<sup>2</sup>, 10mm<sup>2</sup>

**CABLE DISTANCE & LIGHT POWER SETTINGS**

Distances	Lights	Light Power
Meters to 1st Light	Light Power(W)	0
1st Light to 2nd Light	Light Power(W)	0
2nd Light to 3rd Light	Light Power(W)	0
3rd Light to 4th Light	Light Power(W)	0
4th Light to 5th Light	Light Power(W)	0

## Ohm's Law

An important mathematical formula that electricians and physicists use to determine certain measurements in a given circuit. The formula is  $V = I \times R$  where V is the voltage, measured in volts, I is the amount of current measured in amps or amperage and R is the resistance, measured in ohms.

# We're everywhere

While we may not sell direct to the public, that doesn't mean our fittings and expertise are not readily available. Call our friendly staff who can answer your technical questions and direct you to your nearest reseller.



## Contact your local Sales Representative

Clinton Black  
QLD / NT  
0436 236 961

Steve Delaney  
VIC / TAS / WA  
0410 641 120

Tim Griffin  
NSW / ACT  
0412 676 833

Paul Thistlethwaite  
Head Office  
02 9454 7900

# Keeping you grounded

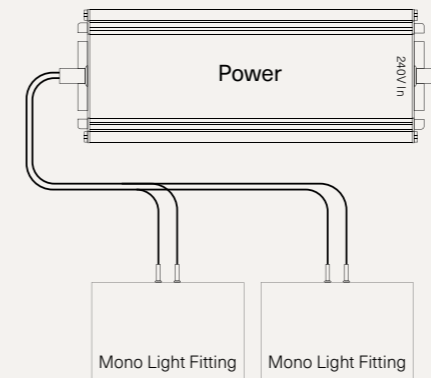
We've put together a range of wiring diagrams covering many of our easy and some of our more complicated setups.

## Wiring Diagram Contents List

1	Mono - 12 ~ 24V AC	p 211
2	Mono - 24V DC	p 211
3	Mono - Dali Dimming - Aqualux Driver	p 211
4	AQS-500 / AQS-510 - RGB - T3 Remote	p 212
5	AQS-600 - RGBW - T4 Remote	p 212
6	AQS-500 / AQS-510 - RGBW - T4 Remote	p 212
7	Aqualux Driver - RGBW - T4 Remote	p 212
8	AQS-601 - Colour Tuning - T2 Remote	p 213
9	AQS-602 - RGB - T3 Remote	p 213
10	AQL-910 Floods - RGBW - T4 Remote	p 213
11	AQS-410 - RGB - T3 Remote	p 213
12	AQL-910 Floods - RGBW - WiFi 106 - F45A	p 214
13	AQS-500 / AQS-510 - RGBW - WiFi 106 - F45A	p 214
14	AQS-600 - RGBW - WiFi 106 - F45A	p 215
15	Aqualux Driver - RGBW - WiFi 106 - F45A	p 215
16	AQS-600-Mono	p 216
17	AQS-420-RGB - T3 Remote	p 216
18	AQL-910 Floods - RGBW - DMX	p 216
19	AQS-500 / AQS-510 - RGBW - DMX	p 217
20	AQS-500 / AQS-510 - RGB - DMX	p 217
21	AQS-420 - RGB - DMX	p 218
22	AQS-410 - RGB - DMX	p 218
23	Aqualux Driver - RGBW - DMX	p 219
24	AQS-600 - RGBW - DMX	p 219
25	AQS-500 / AQS-510 - RGBW Dynamic Pixel - DMX	p 220

### Mono

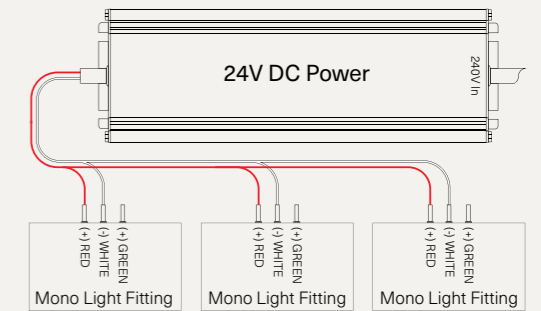
2 Wire Fitting - 12 ~ 24V AC



Wired in parallel (non polarity).

### Mono

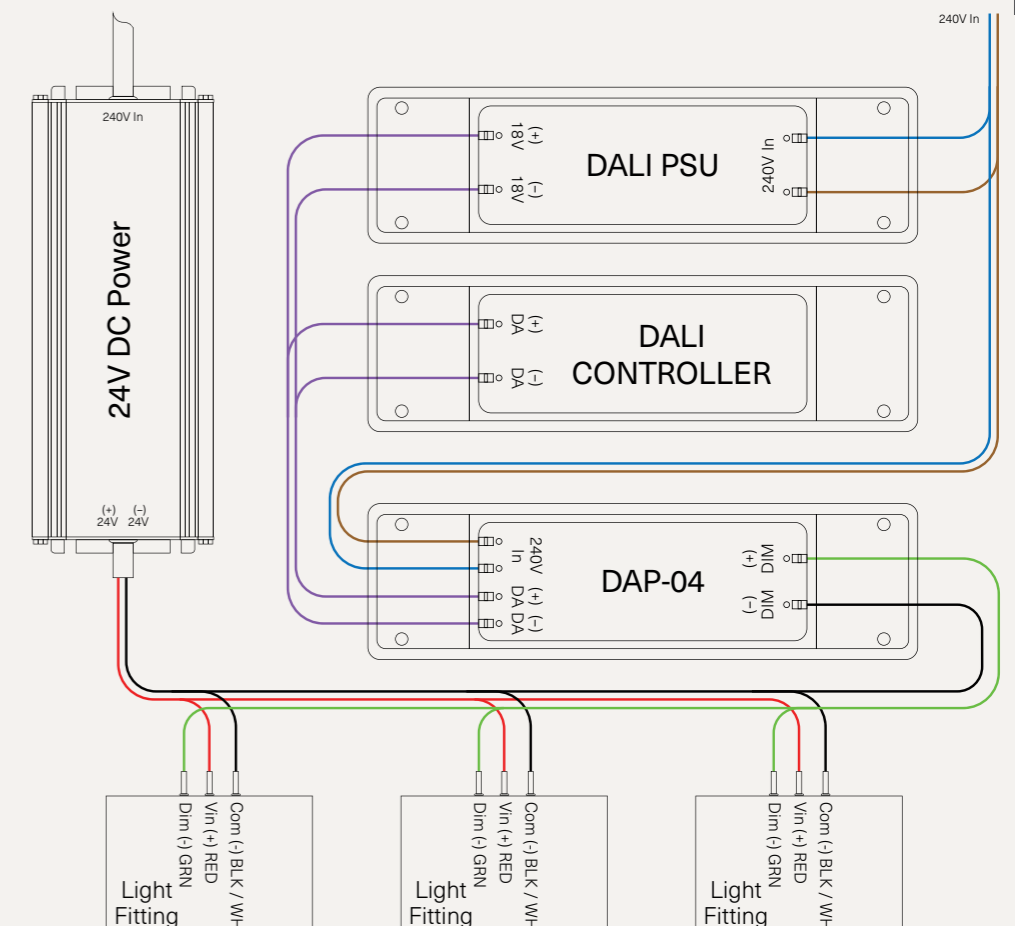
2 Wire Fitting - 24V DC



For Lumena, Lumena Pro, Phoenix and Artisan Mono fittings with the 3 wire cable. Wired in parallel, no dimming.

### Lumena, LumenaPro, Phoenix & Artisan - Mono

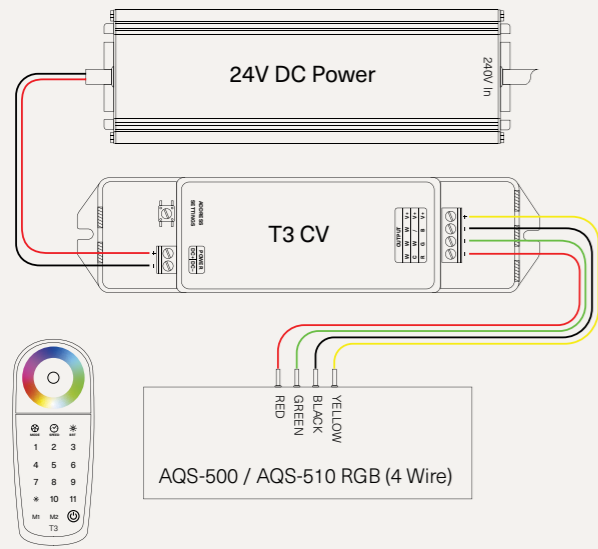
3 Wire Fitting  
Dali PWM - 24V DC



Dali dimming for mono fittings with 3 wire cable.

### AQS-500 / AQS-510 - RGB

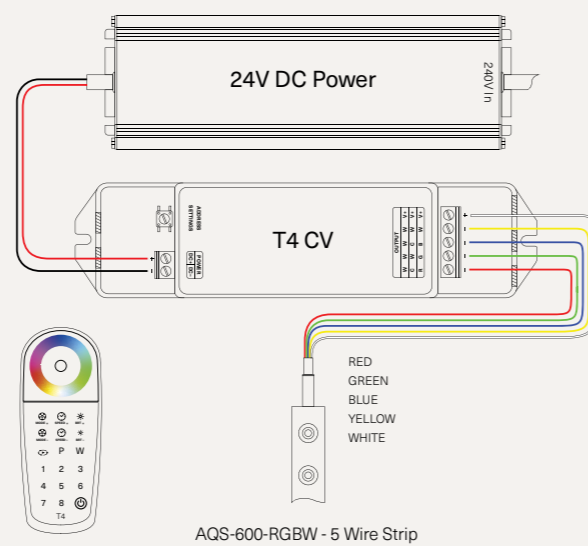
4 Wire Fitting - T3 PWM - 24V DC



Wireless 3 channel with zoning. Max 432W 3 channel @ 24VDC. Up to 10 zones can be controlled from T3M remote. RF Range 30m (Line of sight). Unlimited numbers of T3CV's can be added to each zone. Max 10m strip run for single end feed and 20m double end feed.

### AQS-600 - RGBW

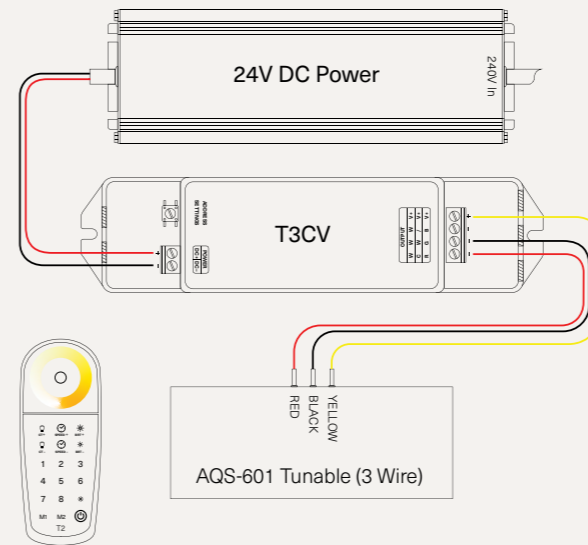
5 Wire Fitting - T4 PWM - 24V DC



Wireless 4 channel setup with zoning. Max 480W 4 channel @ 24VDC. Up to 8 Zones can be controlled from T4 Remote. RF Range 30m (Line of sight). Unlimited numbers of T4CV's can be added on each zone. Max 5m strip run for single end feed.

### AQS-601 - CT

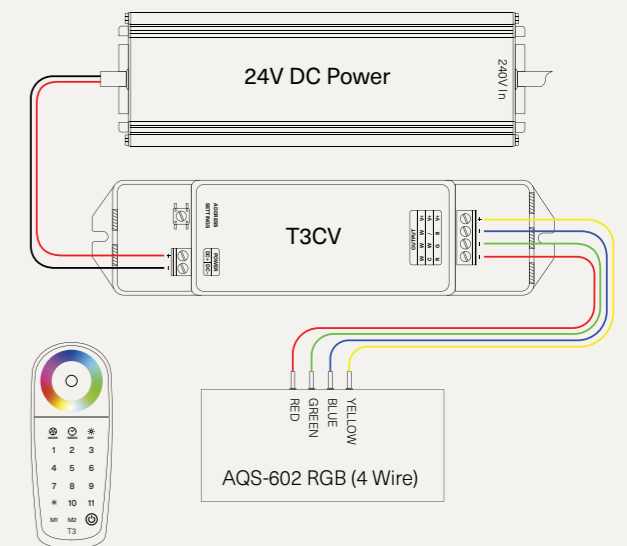
3 Wire Fitting - T2 PWM - 24V DC



Wireless 2 channel CT setup with zoning. Max 432W 3 channel @ 24VDC. Up to 8 zones can be controlled from T2M remote. RF Range 30m (Line of sight). Unlimited numbers of T3CV's can be added to each zone. Max 5m strip run for single end feed.

### AQS-602 - RGB

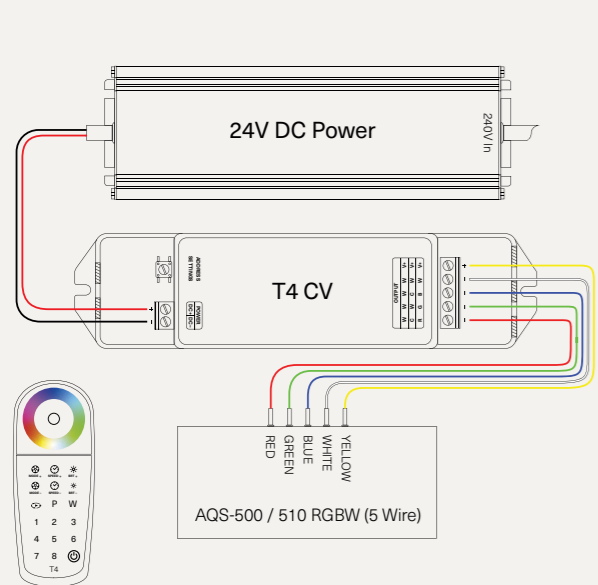
4 Wire Fitting - T3 PWM - 24V DC



Wireless 3 channel with zoning. Max 432W 3 channel @ 24VDC. Up to 10 zones can be controlled from T3M remot. RF Range 30m (Line of sight). Unlimited numbers of T3CV's can be added to each zone. Max 5m strip run for single end feed.

### AQS-500 / AQS-510 - RGBW

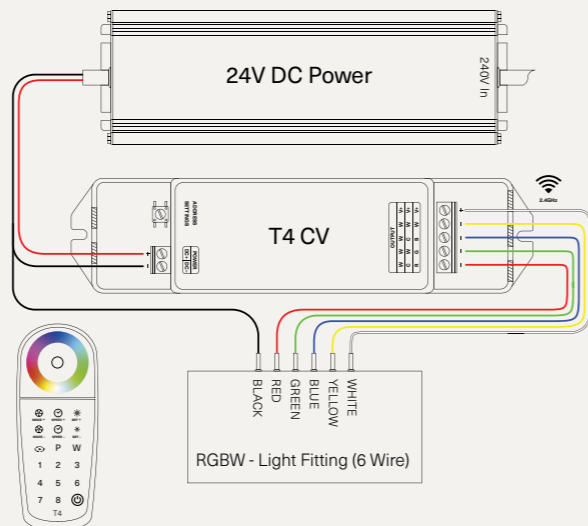
5 Wire Fitting - 24V DC - T4 PWM



Wireless 4 channel with zoning. Max 480W 4 channel @ 24VDC. Up to 8 Zones can be controlled from T4 Remote. RF Range 30m (Line of sight). Unlimited numbers of T4CV's can be added on each zone. Max 10m strip run for single end feed and 20m double end feed.

### Lumena, LumenaPro, Phoenix & Artisan - RGBW

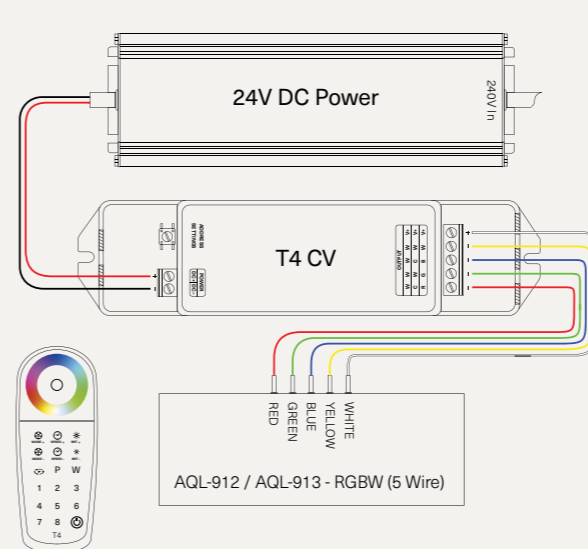
6 Wire Fitting - T4 PWM - 24V DC



Wireless 4 channel with zoning. Max 480W 4 channel @ 24VDC. Up to 8 Zones can be controlled from T4 Remote. RF Range 30m (Line of sight). Unlimited numbers of T4CV's can be added on each zone. For installations with a load greater than the controller/receiver capacity, the yellow V+ wire can be wired directly to the positive + wire from the power supply which can allow up to 600W using a HLG-600H-24 power supply.

### AQL-912 / AQL913 - RGBW

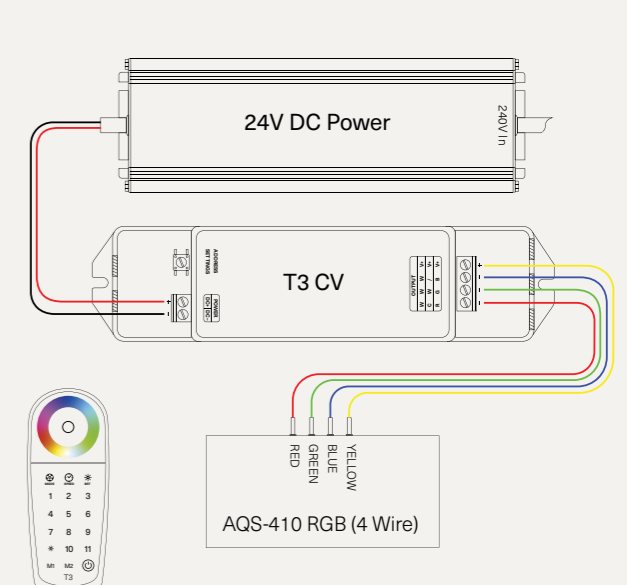
5 Wire Fitting - T4 PWM - 24V DC



Wireless 4 Channel RGBW with Zoning. Max 480W 4 channel @ 24VDC. Up to 8 Zones can be controlled from T4 Remote. RF Range 30m (Line of sight). Unlimited numbers of T4CV's can be added on each zone.

### AQS-410 - RGB

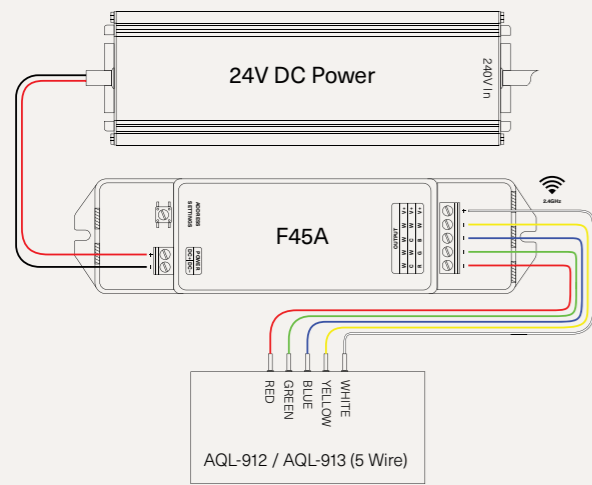
4 Wire Fitting - T3 PWM - 24V DC



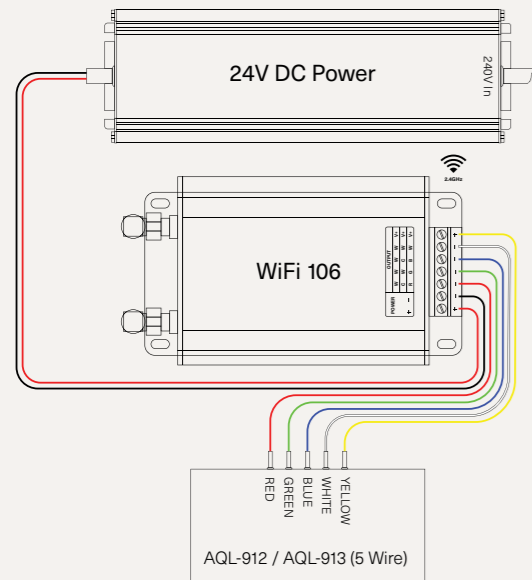
Wireless 3 channel with zoning. Max 432W 3 channel @ 24VDC. Up to 10 zones controlled from T3M remote. RF Range 30m (Line of sight). Unlimited numbers of T3CV's can be added to each zone. Max 10m strip run for single end feed and 20m double end feed.

### AQL-912 / AQL-913 - RGBW

6 Wire Fitting - WiFi 106 - F45A PWM - 24V DC



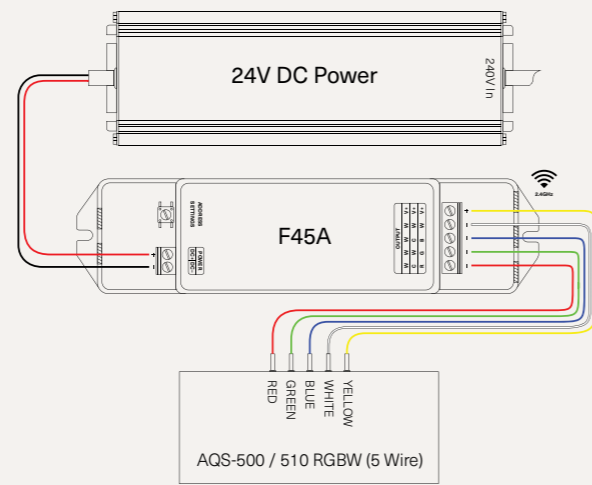
Setup allows for control from mobile or tablet from free Android or iOS app. Wall controllers and hand held remotes are also available to add to the system. Max 480W 4 channel @ 24VDC. Unlimited F45A's can be added to a zone.



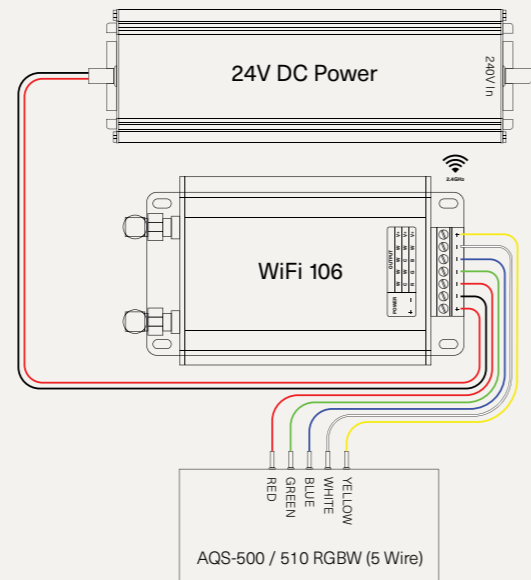
Max 384W 4 channel @ 24VDC. Up to 12 Zones can be controlled from each Wifi-106. 16 Wifi-106's can be run on a Wifi network. RF Range 30m (Line of sight) can be extended with the addition of EBOXAP's (up to 8 AP's).

### AQS-500 / AQS-510 - RGBW

5 Wire Fitting - WiFi 106 - F45A PWM - 24V DC



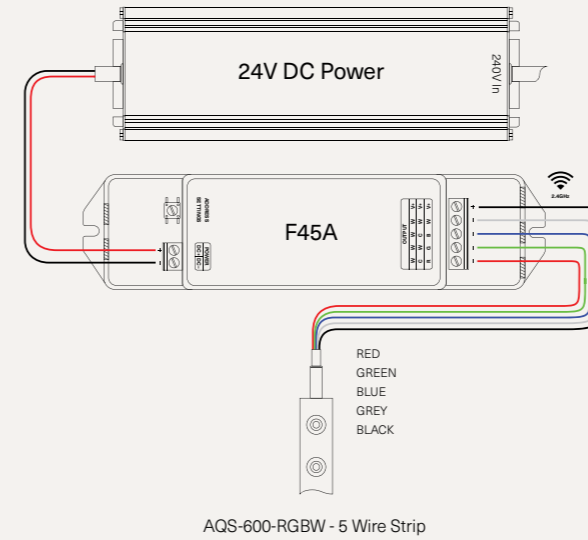
Setup allows for control from mobile or tablet from free Android or iOS app. Wall controllers and hand held remotes are also available to add to the system. Max 480W 4 channel @ 24VDC. Unlimited F45A's can be added to a zone. Max 10m strip run for single end feed and 20m double end feed.



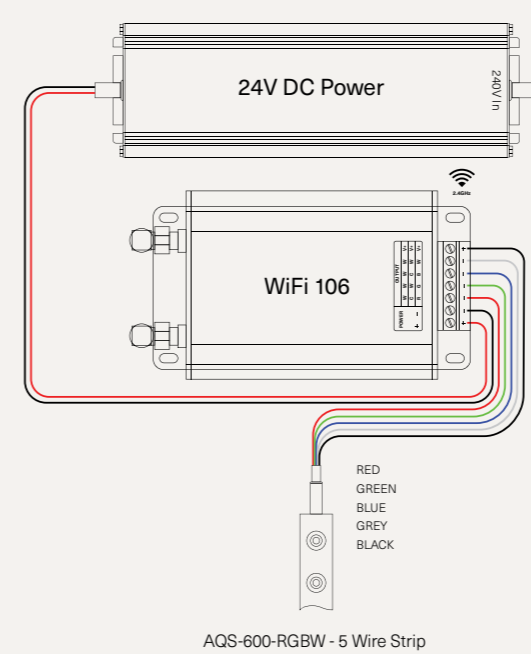
Max 384W 4 channel @ 24VDC. Up to 12 Zones can be controlled from each Wifi-106. 16 Wifi-106's can be run on a Wifi network. RF Range 30m (Line of sight) can be extended with the addition of EBOX-AP's (up to 8 AP's). Max 10m strip run for single end feed and 20m double end feed.

### AQS-600 - RGBW

5 Wire Fitting - WiFi 106 - F45A PWM - 24V DC



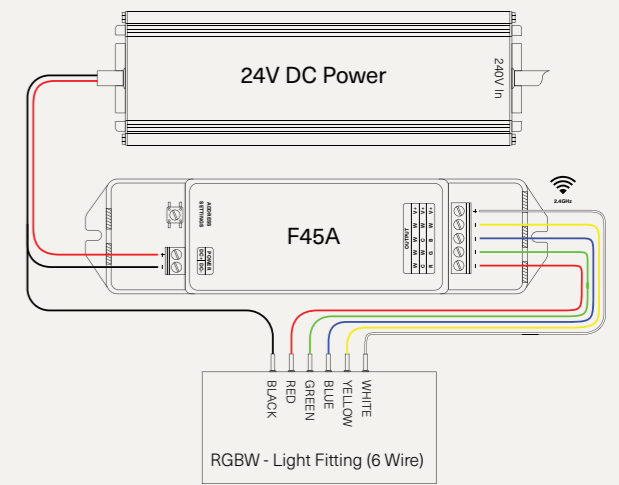
Setup allows for control from mobile or tablet from free Android or iOS app. Wall controllers and hand held remotes are also available to add to the system. Max 480W 4 channel @ 24VDC. Unlimited F45A's can be added to a zone. Max 5m strip run for single end feed.



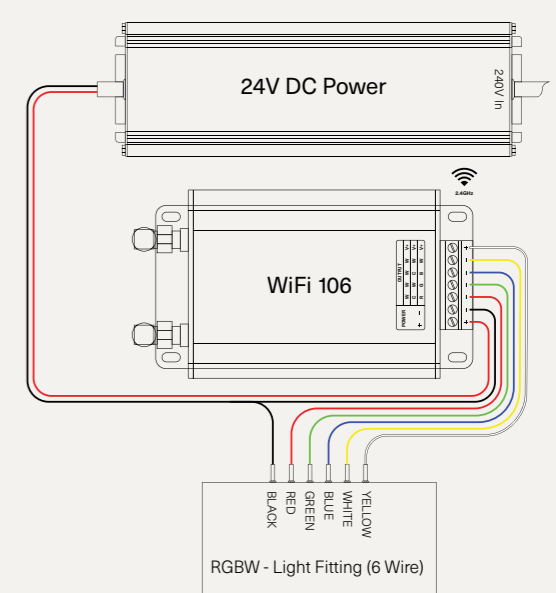
Max 384W 4 channel @ 24VDC. Up to 12 Zones can be controlled from each Wifi-106. 16 Wifi-106's can be run on a Wifi network. RF Range 30m (Line of sight) can be extended with the addition of EBOXAP'. Max 5m strip run for single end feed.

### Lumena, LumenaPro, Phoenix & Artisan - RGBW

6 Wire Fitting - WiFi 106 - F45A PWM - 24V DC



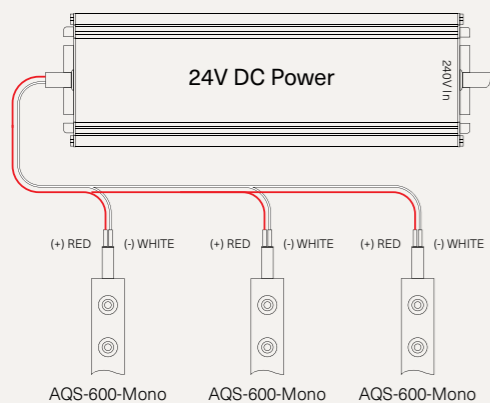
Setup allows for control from mobile or tablet from free Android or iOS app. Wireless wall controllers and hand held remotes are also available to add to the system. Max 480W 4 channel @ 24VDC. Unlimited F45A's can be added to a zone.



Max 384W 4 channel @ 24VDC. Up to 12 Zones can be controlled from each Wifi-106. 16 Wifi-106's can be run on a Wifi network. RF Range 30m (Line of sight) can be extended with the addition of EBOX-AP's (up to 8 AP's). For installations with a load greater than the controller/receiver capacity, the yellow V+ wire can be wired directly to the positive + wire from the power supply which can allow up to 600W using a HLG-600H-24 power supply.

### AQS-600-Mono

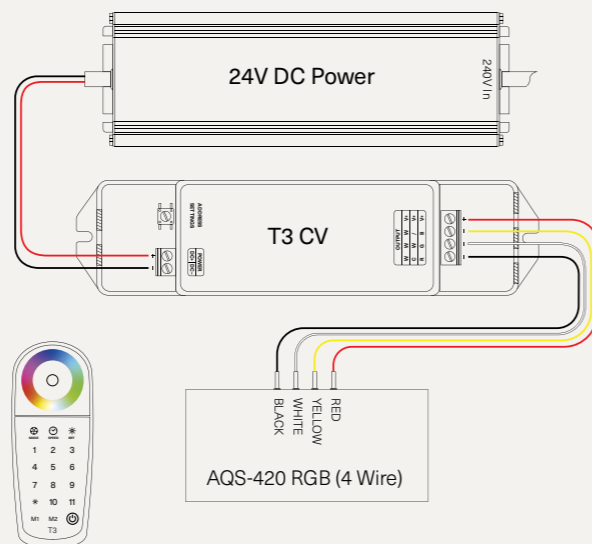
2 Wire Fitting - 24V DC



For Mono AQS-600 Flexible Wall Washer. Wired in Parallel. Single end feed with a maximum 5 meter run.

### AQS-420-RGB

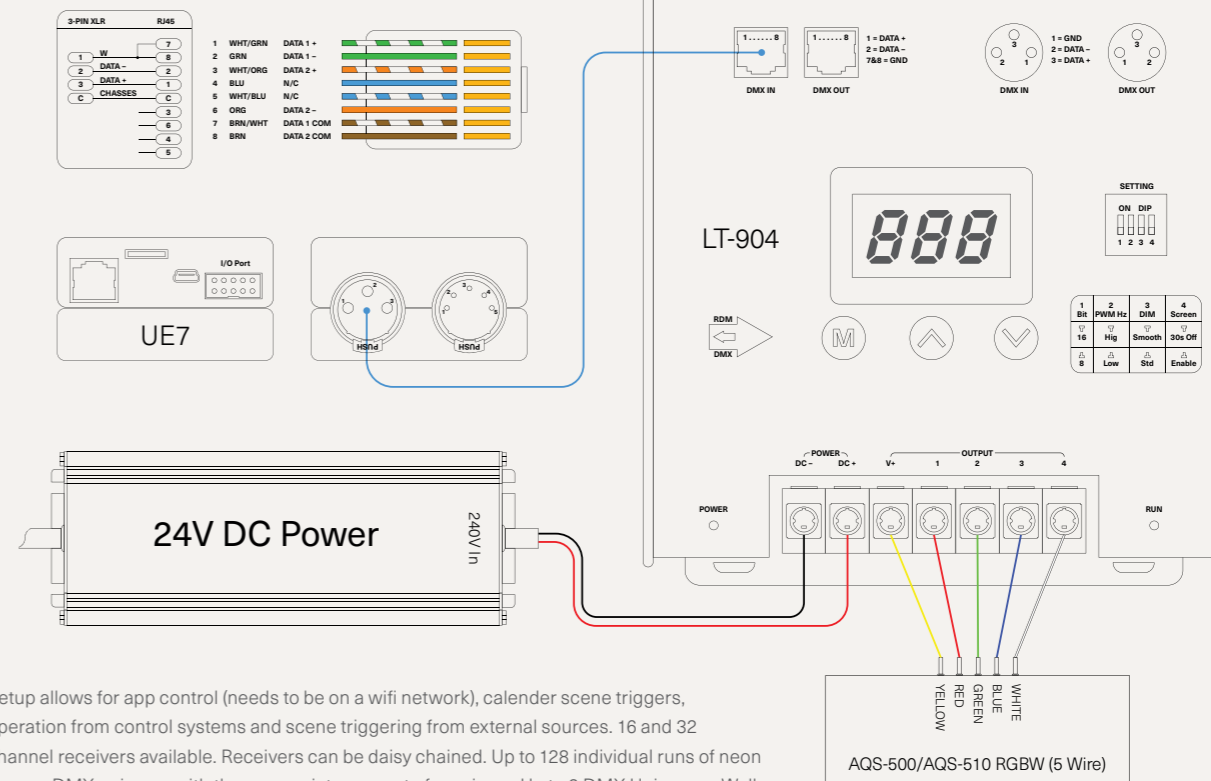
4 Wire Fitting - T3 PWM - 24V DC



Wireless 3 channel with zoning. Max 432W 3 channel @ 24VDC. Up to 10 zones can be controlled from T3M remote. RF Range 30m (Line of sight). Unlimited numbers of T3CV's can be added to each zone. Max 10m strip run for single end feed and 20m double end feed.

### AQS-500 / AQS-510 - RGBW

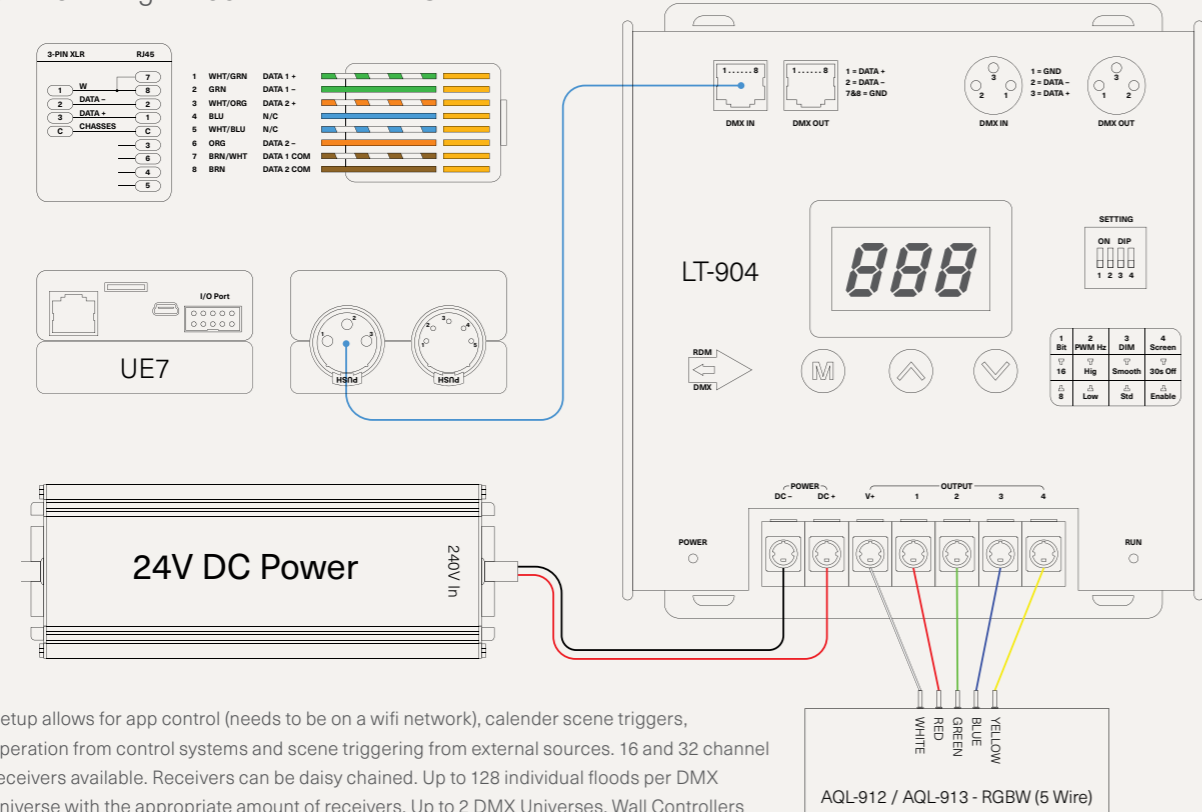
5 Wire Fitting - LT904 DMX - 24V DC



Setup allows for app control (needs to be on a wifi network), calendar scene triggers, operation from control systems and scene triggering from external sources. 16 and 32 channel receivers available. Receivers can be daisy chained. Up to 128 individual runs of neon flex per DMX universe with the appropriate amount of receivers. Up to 2 DMX Universes. Wall Controllers available. Max 10m strip run for single end feed and 20m double end feed.

### AQL-912 / AQL-913 - RGBW

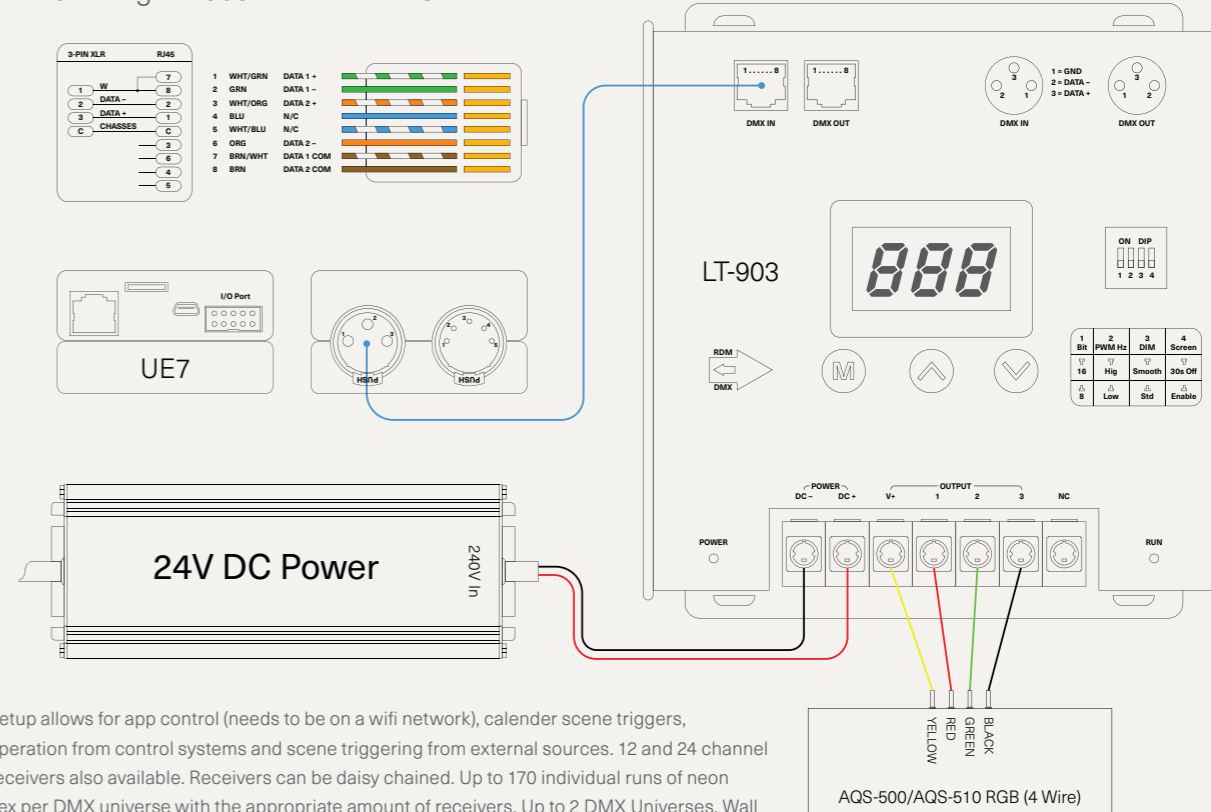
5 Wire Fitting - LT904 DMX - 24V DC



Setup allows for app control (needs to be on a wifi network), calendar scene triggers, operation from control systems and scene triggering from external sources. 16 and 32 channel receivers available. Receivers can be daisy chained. Up to 128 individual floods per DMX universe with the appropriate amount of receivers. Up to 2 DMX Universes. Wall Controllers available.

### AQS-500 / AQS-510 - RGB

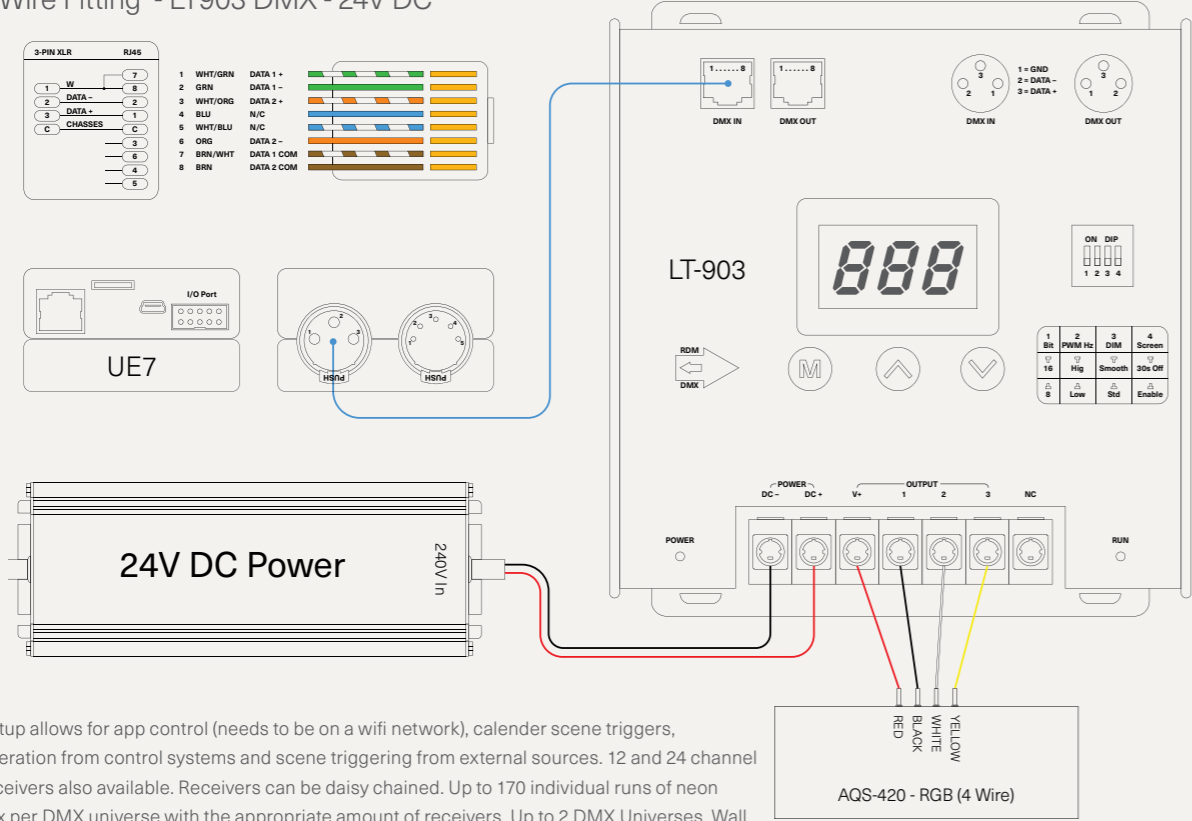
4 Wire Fitting - LT903 DMX - 24V DC



Setup allows for app control (needs to be on a wifi network), calendar scene triggers, operation from control systems and scene triggering from external sources. 12 and 24 channel receivers also available. Receivers can be daisy chained. Up to 170 individual runs of neon flex per DMX universe with the appropriate amount of receivers. Up to 2 DMX Universes. Wall Controllers available. Max 10m strip run for single end feed and 20m double end feed.

### AQS-420 - RGB

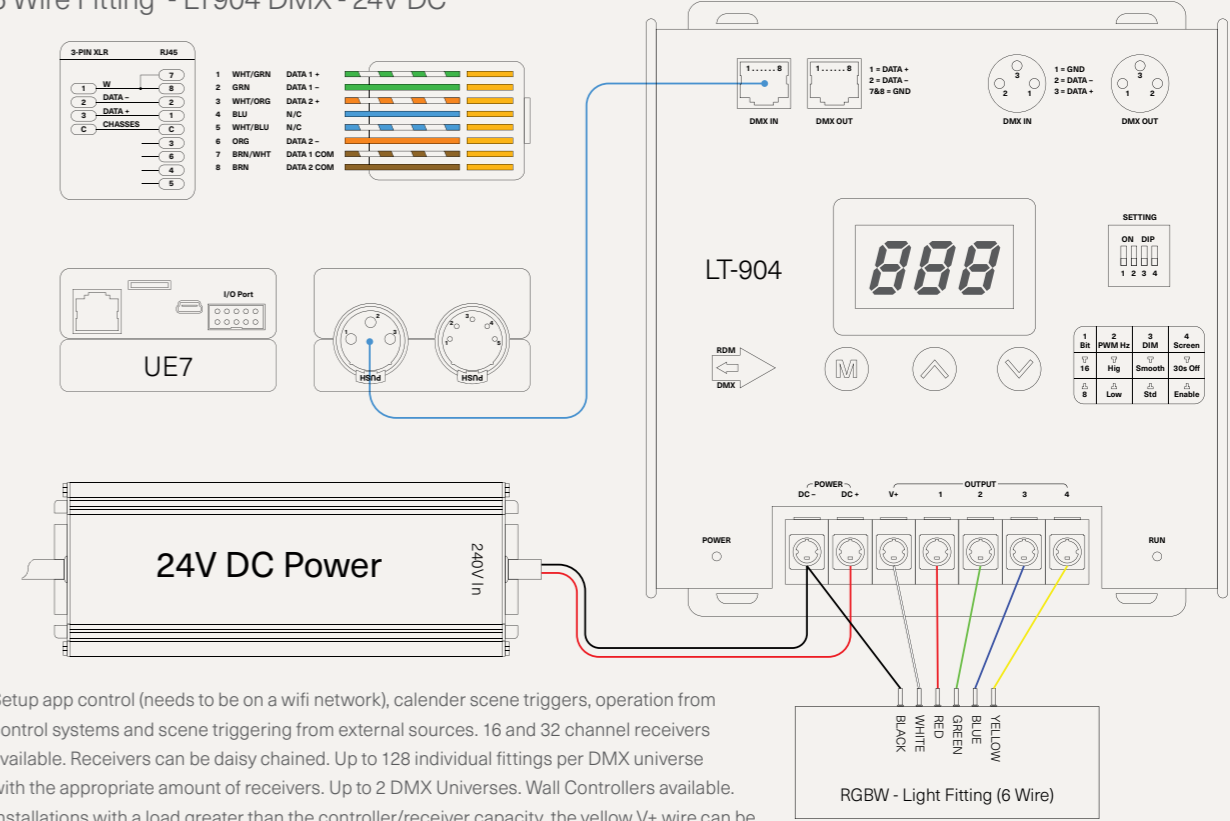
4 Wire Fitting - LT903 DMX - 24V DC



Setup allows for app control (needs to be on a wifi network), calendar scene triggers, operation from control systems and scene triggering from external sources. 12 and 24 channel receivers also available. Receivers can be daisy chained. Up to 170 individual runs of neon flex per DMX universe with the appropriate amount of receivers. Up to 2 DMX Universes. Wall Controllers available. Max 10m strip run for single end feed and 20m double end feed.

### Lumena, LumenaPro, Phoenix & Artisan - RGBW

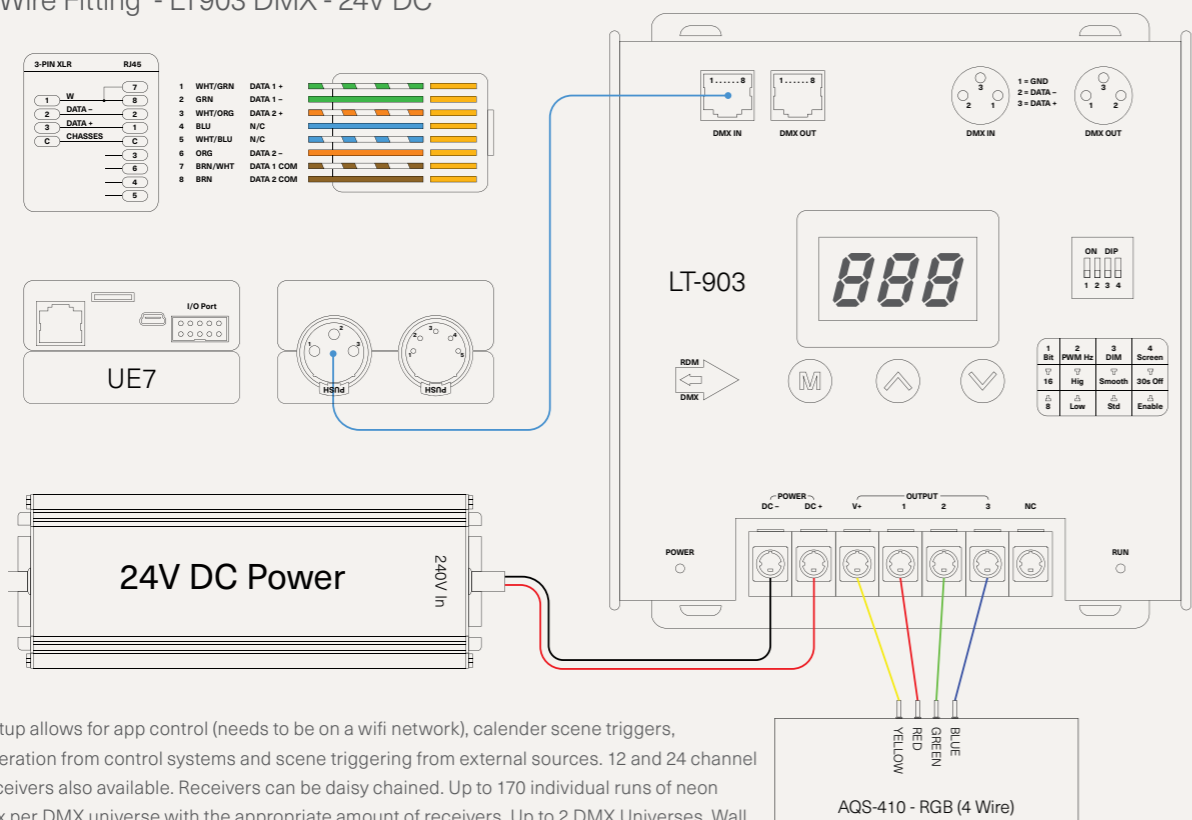
6 Wire Fitting - LT904 DMX - 24V DC



Setup app control (needs to be on a wifi network), calendar scene triggers, operation from control systems and scene triggering from external sources. 16 and 32 channel receivers available. Receivers can be daisy chained. Up to 128 individual fittings per DMX universe with the appropriate amount of receivers. Up to 2 DMX Universes. Wall Controllers available. Installations with a load greater than the controller/receiver capacity, the yellow V+ wire can be wired directly to the positive + wire from the power supply, up to 600W using a HLG-600H-24.

### AQS-410 - RGB

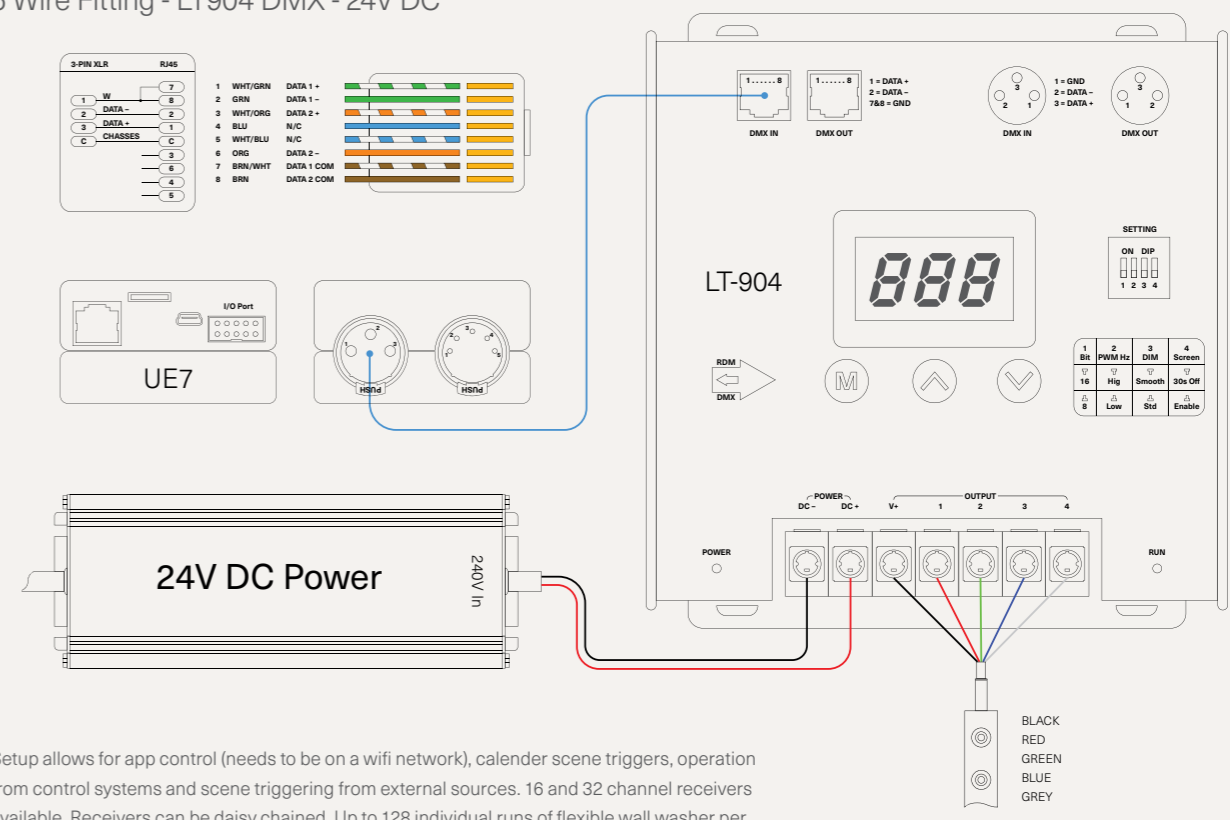
4 Wire Fitting - LT903 DMX - 24V DC



Setup allows for app control (needs to be on a wifi network), calendar scene triggers, operation from control systems and scene triggering from external sources. 12 and 24 channel receivers also available. Receivers can be daisy chained. Up to 170 individual runs of neon flex per DMX universe with the appropriate amount of receivers. Up to 2 DMX Universes. Wall Controller also available Max 10m strip run for single end feed and 20m double end feed.

### AQS-600 - RGBW

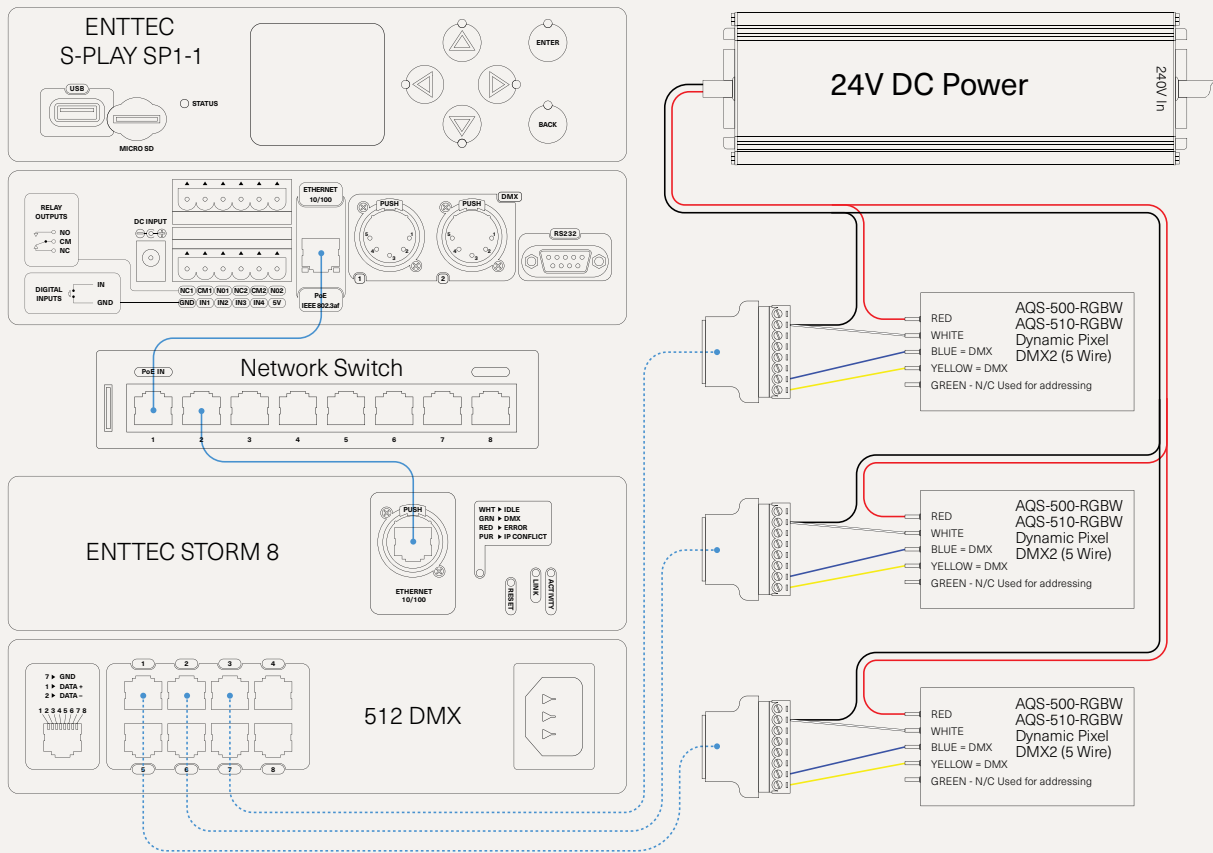
5 Wire Fitting - LT904 DMX - 24V DC



Setup allows for app control (needs to be on a wifi network), calendar scene triggers, operation from control systems and scene triggering from external sources. 16 and 32 channel receivers available. Receivers can be daisy chained. Up to 128 individual runs of flexible wall washer per DMX universe with the appropriate amount of receivers. Max 5m strip run for single end feed.

## AQS-500 / AQS-510 - RGBW

Dynamic Pixel - 5 Wire Fitting - DMX2 - 24V DC



Setup allows for app control, calendar scene triggers, operation from control systems and scene triggering from external sources. 18 Universes of DMX per S-Play Unit (Multiple units can be used for larger installations). 8 and 24 port Storm units available. Max 8m strip run for single end feed and 16m double end feed. Strip is directional (check cable entries and entry and exit tail lengths). Strip is addressable using DMX Writer.

# Drift velocity

Energy travels as electromagnetic waves at about the speed of light, which is 299,792.457 kilometres per second. However, the electrons themselves within the wave move more slowly. This concept is known as drift velocity.



## Order & Shipping Information

Please Email your order to [sales@aqualux.com.au](mailto:sales@aqualux.com.au)

Orders under \$300 (ex. GST) will be charged small order handling and delivery fee.

Orders above \$300 (ex. GST) will be delivered free Australia-wide.

We currently use three primary transport companies - Startrack Express, Couriers Please and Border Express. We may use alternative couriers as necessary.

When we ship your order, you will receive a shipment notification email with tracking numbers.

All shipments are dispatched from Sydney, Australia.

Estimated transit times based on current advice from selected couriers.

Destination	Order Cutoff	Delivery
Sydney Metro	1PM	Next Day
Illawarra Region	1PM	Next Day
Melbourne Metro		1 - 2 Days
VIC Regional		2 - 3 Days
Brisbane Metro		1 - 2 Days
QLD Regional		3 - 4 Days
Adelaide Metro		2 - 3 Days
SA Regional		3 - 4 Days
Perth Metro	1PM	5 Days
WA Regional		5 - 7 Days
Darwin Metro		5 - 7 Days
NT Regional		5 - 7 Days
Hobart Metro		5 - 7 Days
TAS Regional		5 - 7 Days

## Leadtime Information

Many Aqualux products are Made-to-Order whilst others are generally stocked at all times. Refer to the table below for general leadtime information, however if your order is urgent please give us a call.

Product Group	Stocking Group	Leadtime to Ship
Lumena	Made-to-Order	5 - 10 Days
Phoenix	Made-to-Order Stocked	5 - 10 Days 1 Day
Artisan	Made-to-Order	14 - 21 Days
Elements	Stocked	Ex. Stock
Aquatran	Stocked	Ex. Stock
Accessories	Stocked	Ex. Stock
Strip Lighting	Stocked / Indent	Ex. Stock / 21 Days
Flood Lights	Stocked / Indent	Ex. Stock / 21 Days
Orion LED Lighting	Stocked / Indent	Ex. Stock / 21 Days

- **For project quantities, please enquire.**
- **Prices and Information are subject to change.**
- **Please call for latest information and availability.**
- **If you wish to check stock or leadtimes please email [sales@aqualux.com.au](mailto:sales@aqualux.com.au)**



Telectran International Pty Ltd. PO Box 6059,  
Unit 4/12a Rodborough Road, Frenchs Forest NSW 2086 Australia.  
ABN 42 062 816 426. Telephone +612 9454 7900  
OCTOBER 2020

[www.aqualux.com.au](http://www.aqualux.com.au)