



DOMUS[®]

Innovative Trends 2018-2019



With over 50 years heritage of manufacturing and distribution of lighting products for the Australasian market, Domus Lighting has developed a highly regarded reputation for innovation, quality and reliability. We are focused on continuing that reputation by investing in energy efficient lighting products, using the latest lighting technologies. Domus, was formed in 1961 in response to a growing need for quality lighting products. Now, Domus Lighting has expanded to become one of Australia's leading distributors of LED lighting to the Electrical Wholesale and Lighting Retail distribution channels.

Proudly 100% Australian owned, the company operates from a modern 13000m² distribution facility and head office. Our stunning 1200m² wholesale showroom provides a unique display of our range of residential lighting products, through to our range of innovative LED Lighting products. We welcome you to visit our evolving showroom, by appointment. Domus Lighting also offers a custom made lighting service to help provide a solution to those exciting and challenging designs. Our team are committed to applying their unrivalled LED experience and lighting expertise to enhance any of your energy saving lighting requirements. Combining that capability with the strength of our sales force, you can count on us to support you for all your lighting needs.



Contents					
Boost & Bliss	3	Sunset Series	22	Spherical Series	47
Tek Series	4	Sunset Series	23	Spherical & Par Series	48
Deco Series	5	Profan Series	25	GU10,MR16 & Key Corn	49
Deco Series	6	Maya Series	26	Carbon Filament Series	50
Splash Series	7	Chelsea Series	27	Carbon Filament Series	52
Aqua Series	8	Alexa & Erin	28	Carbon Filament Series	53
Scoop Series	9	Diana	29	Shadow Series	54
Neo Series	10	Alice	30	Shadow Series	55
Neo Surface Mounted Series	11	Eva	31	Shadow Series	56
Neo Surface Mounted Tilt Series	12	Star Series	32	Magneto Series	59
Cell Series	13	Star Series	33	Vivid Series	60
Cell 12	14	Puffin Series	34	Versa Series	61
Cell 9,13 & 17	15	Robin Series	35	Muro-Pro Series	62
Cell Series Frames	16	Shadowline Series	37	Muro-Pro Series	63
Cell Series	17	Lumaline-2 Series	39	Shadow Series	64
Pocket Series	18	Line-46 Series	41	Flash Series	65
Astra Series	19	Bolt Series	42	Blaze Series	66
Solar Series	20	Key Series	44	Blaze Series	67
Mondo Series	21	Key Series	45	Terms & Conditions	68
		Key Series	46		

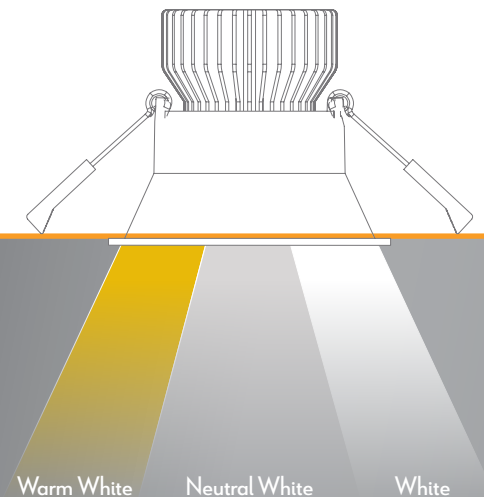


DUO & TRIO

Technology Series

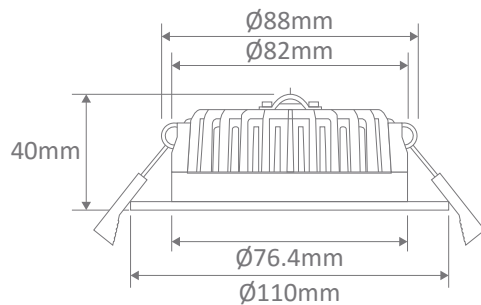
Introducing the option of changing the colour temperature of the product with a dip switch at the back of the fitting.

Two or three colour temperatures in one fitting.
With a flick of a switch!





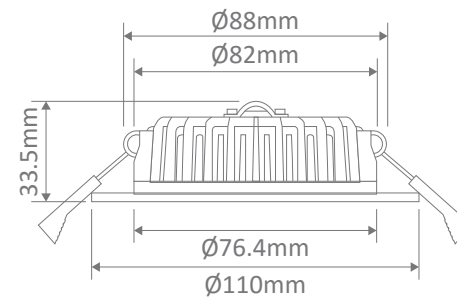
Boost-10



Cutout: Ø90mm



Bliss-10



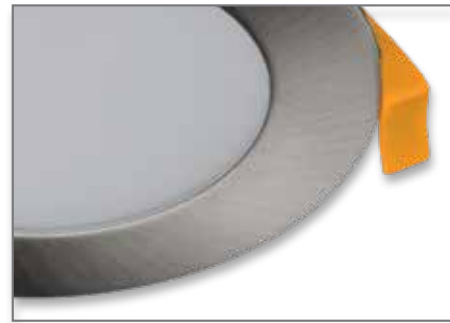
Cutout: Ø90mm

Item No.	Variant	Wattage	Colour	IP Rating	CCT	Lumen Output			Dimmable	Beam Angle
						Warm White 3000K	Neutral White 4000K	White 5700K		
Boost-10	20726	10W	White	54	Trio	750lm	780lm	800lm	Yes	120°
Bliss-10	20706	10W	White	54	Trio	750lm	780lm	800lm	Yes	120°

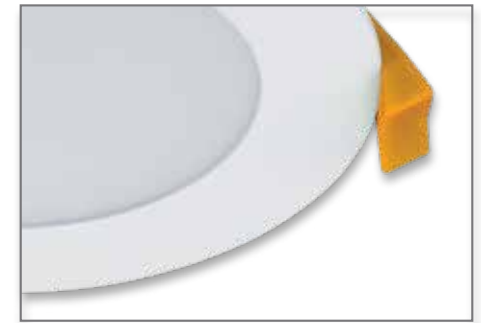
Suitable for:
 Cost effective solution that is suitable for all rooms. Also suitable for bathrooms (excluding directly above shower).



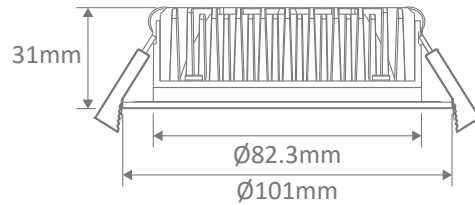
Tek-Blk



Tek-Sch



Tek-Wht



Ø90mm Cutout

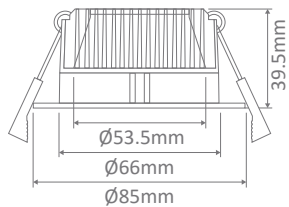
Item No.	Variant	Wattage	Colour	IP Rating	CCT	Lumen Output			Dimmable	Beam Angle
						Warm White 3000K	Neutral White 4000K	White 5700K		
Tek-10	20620	10W	Black	44	Trio	700lm	750lm	800lm	Yes	90°
	20442		Satin Chrome							
	20440		White							
Tek-13	20621	13W	Black	44	Trio	800lm	850lm	900lm	Yes	90°
	20445		Satin Chrome							
	20443		White							

Suitable for:

Suitable for all rooms. Also suitable for bathrooms (excluding directly above shower).



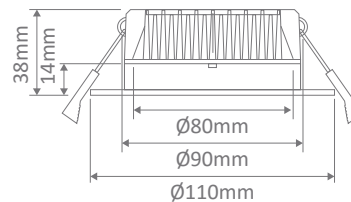
Deco-8-Rnd-Blk



Cutout: \varnothing 70-75mm



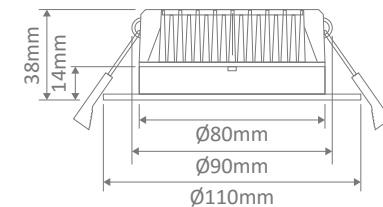
Deco-13-Rnd-Alu



Cutout: \varnothing 90mm



Deco-13-Sqr-Wht



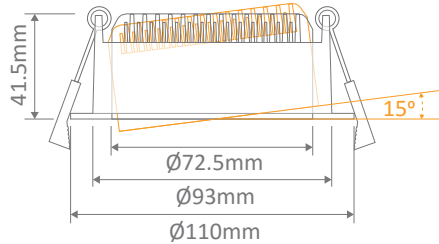
Cutout: \varnothing 90mm

Item No.	Variant	Wattage	Colour	IP Rating	CCT	Lumen Output			Dimmable	Beam Angle
						Warm White 3000K	Neutral White 4000K	White 5700K		
Deco-8-Rnd	20410	8W	White	44	Trio	700lm	750lm	800lm	Yes	90°
	20411		Black							
	20412		Aluminium							
Deco-13-Rnd	20420	13W	White	44	Trio	800lm	850lm	900lm	Yes	90°
	20421		Black							
	20422		Aluminium							
Deco-13-Sqr	20425	13W	White	44	Trio	800lm	850lm	900lm	Yes	90°
	20528		Black							
	20427		Aluminium							

Suitable for:
 Suitable for all rooms. Also suitable for bathrooms (excluding directly above shower).



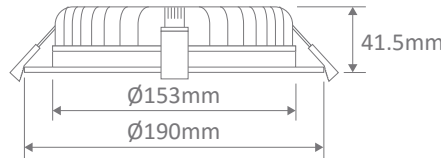
Deco-13-Tilt-Blk



Cutout: Ø95mm



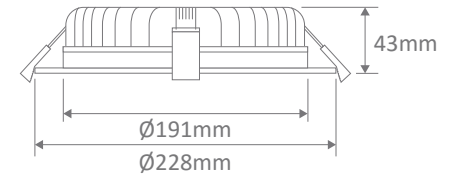
Deco-20-Wht



Cutout: Ø160 - Ø170mm



Deco-28-Blk



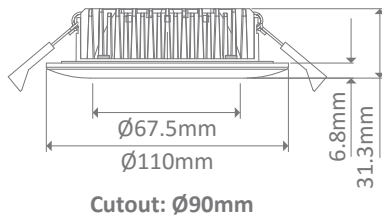
Cutout: Ø200 - Ø210mm

Item No.	Variant	Wattage	Colour	IP Rating	CCT	Lumen Output			Dimmable	Beam Angle
						Warm White 3000K	Neutral White 4000K	White 5700K		
Deco-13-Tilt	20430	13W	White	44	Trio	800lm	850lm	900lm	Yes	90°
	21045		Black							
Deco-20	20432	20W	White	44	Trio	1500lm	1550lm	1600lm	Yes	90°
	20433		Black							
Deco-28	20434	28W	White	44	Trio	2300lm	2350lm	2400lm	Yes	90°
	20435		Black							

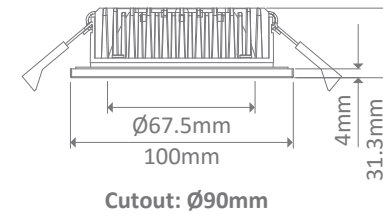
Suitable for:
 Deco-13-Tilt: Suitable for all rooms that require slight angle adjustment. Not suitable for bathrooms.
 Deco-20: Suitable for commercial corridors and offices, as well as retail shop lighting.
 Deco-28: Suitable for commercial corridors and offices, as well as retail shop lighting.



Splash-13-Rnd-Wht



Splash-13-Sqr-Blk



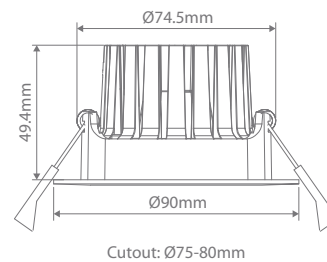
Item No.	Variant	Wattage	Colour	IP Rating	CCT	Lumen Output			Dimmable	Beam Angle
						Warm White 3000K	Neutral White 4000K	White 5700K		
Splash-13-Rnd	20622	13W	Black	54	Trio	800lm	850lm	900lm	Yes	90°
	20436		White							
Splash-13-Sqr	20623	13W	Black	54	Trio	800lm	850lm	900lm	Yes	90°
	20438		White							

Suitable for:
Suitable for all rooms. Also suitable for bathrooms (excluding directly above shower).

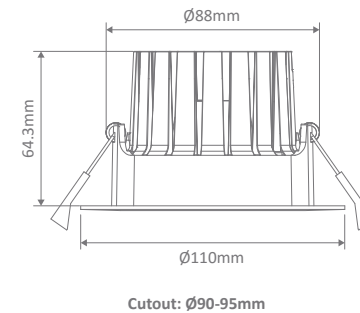


Item No.	Variant	Wattage	Colour	IP Rating	CCT	Lumen Output	Dimmable	Beam Angle
Aqua-10	21222	10W	White	65*	3000K	870lm	Yes	60°
	21226				4000K	980lm		
	21230				5000K	930lm		
	21206		Black		3000K	870lm		
	21210				4000K	980lm		
	21214				5000K	930lm		
Aqua-13	21254	13W	White	65*	3000K	1130lm	Yes	60°
	21258				4000K	1300lm		
	21262				5000K	1220lm		
	21238		Black		3000K	1130lm		
	21242				4000K	1300lm		
	21246				5000K	1220lm		
Aqua-13-Tilt	21322	13W	White	65*	3000K	1130lm	Yes	60°
	21326				4000K	1300lm		
	21330				5000K	1220lm		
	21306		Black		3000K	1130lm		
	21310				4000K	1300lm		
	21314				5000K	1220lm		

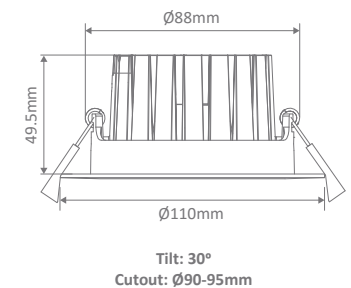
*Downlight housing has been tested and is rated at IP65. Test conducted in an installed application from the underside of the downlight.



Aqua-10



Aqua-13



Aqua-13-Tilt

Suitable for:

Suitable for all rooms. Also suitable for bathrooms, wet areas and outdoor use.

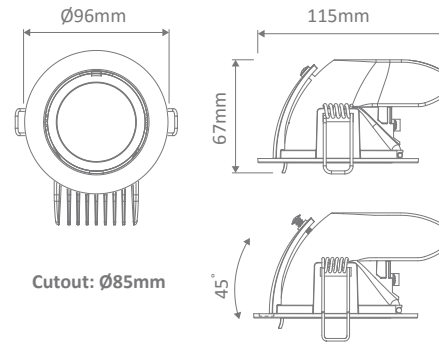


Scoop-25-Blk

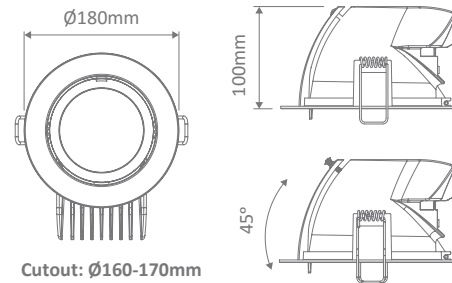
Suitable for:

Ideal for raked ceilings and areas where wall washing is required, for example to illuminate artwork.

Item No.	Variant	Wattage	Colour	IP Rating	CCT	Lumen Output	Dimmable	Beam Angle
Scoop-13	20570	13W	White	20	3000K	850lm	Yes	60°
	20568				4000K	900lm		
	20571				5000K	950lm		
	20450		Black		3000K	850lm		
	20451				4000K	900lm		
	20452				5000K	950lm		
Scoop-25	20574	25W	White	20	3000K	1800lm	Yes	60°
	20569				4000K	1880lm		
	20575				5000K	1950lm		
	20453		Black		3000K	1800lm		
	20454				4000K	1880lm		
	20456				5000K	1950lm		



Scoop-13



Scoop-25



Scoop-13-Wht



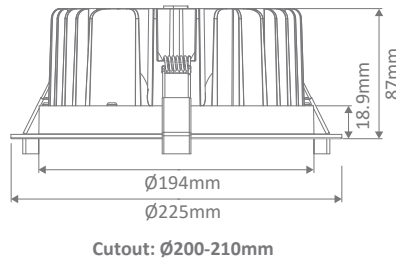
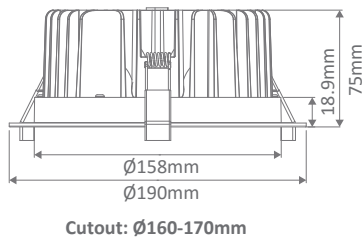
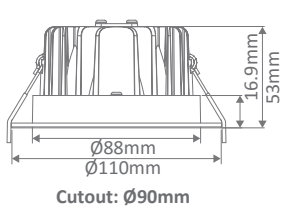
Neo-13-Rec-Blk



Neo-25-Rec-Wht



Neo-35-Rec-Blk



Suitable for:

Neo-13-Rec: Suitable for all rooms. Also suitable for bathrooms (excluding directly above shower).

Neo-25-Rec: Suitable for commercial corridors and offices, as well as retail shop lighting.

Neo-35-Rec: Suitable for commercial corridors and offices, as well as retail shop lighting.

Item No.	Variant		Wattage	IP Rating	CCT	Lumen Output	Dimmable	Beam Angle
	Black	White						
Neo-13-Rec	20457	20576	13W	44	3000K	850lm	Yes	60°
	20458	20582			4000K	880lm		
	20459	20577			5000K	900lm		
Neo-25-Rec	20460	20578	25W	44	3000K	2200lm	Yes	60°
	20461	20583			4000K	2250lm		
	20462	20579			5000K	2300lm		
Neo-35-Rec	20463	20580	35W	44	3000K	3100lm	Yes	60°
	20464	20584			4000K	3150lm		
	20465	20581			5000K	3200lm		



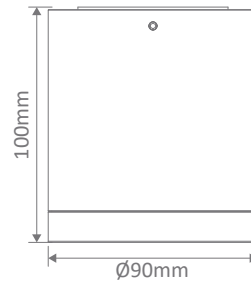
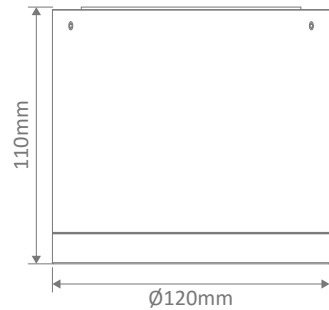
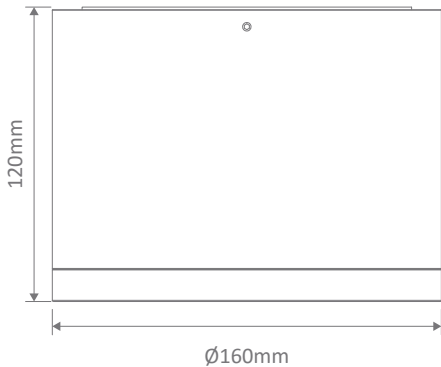
Neo-35-SM-Blk



Neo-25-SM-Wht

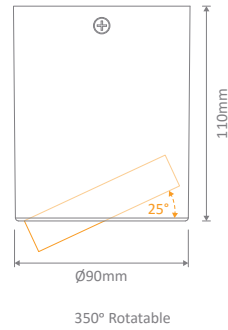


Neo-13-SM-Blk



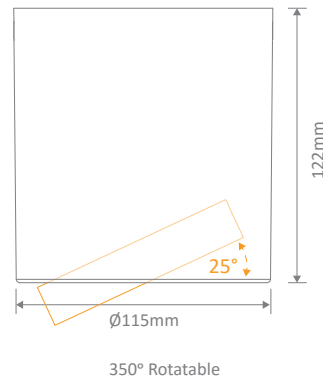
Suitable for:
Ideal for all areas where recessing is not possible. Mostly used on timber ceilings and concrete ceilings.

Item No.	Variant		Wattage	IP Rating	CCT	Lumen Output	Dimmable	Beam Angle
	Black	White						
Neo-13-SM	20680	20684	13W	54	3000K	850lm	Yes	60°
	20683	20688			4000K	880lm		
	20681	20685			5000K	900lm		
Neo-25-SM	20686	20690	25W	54	3000K	2200lm	Yes	60°
	20689	20694			4000K	2250lm		
	20687	20691			5000K	2300lm		
Neo-35-SM	20692	20696	35W	54	3000K	3100lm	Yes	60°
	20698	20699			4000K	3150lm		
	20693	20697			5000K	3200lm		



Neo-10-SM-Tilt-Blk

Item No.	Variant		Wattage	IP Rating	CCT	Lumen Output	Dimmable	Beam Angle
	Black	White						
Neo-10-SM-Tilt	21115	21127	10W	20	3000K	900lm	Yes	60°
Neo-10-SM-Tilt	21118	21130	10W	20	4000K	955lm	Yes	60°
Neo-10-SM-Tilt	21121	21133	10W	20	5000K	1010lm	Yes	60°



Neo-20-SM-Tilt-Wht

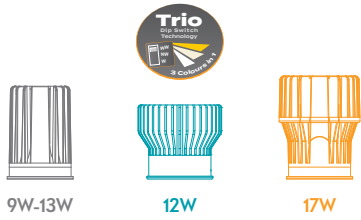
Item No.	Variant		Wattage	IP Rating	CCT	Lumen Output	Dimmable	Beam Angle
	Black	White						
Neo-20-SM-Tilt	21139	21151	20W	20	3000K	2100lm	Yes	60°
Neo-20-SM-Tilt	21142	21154	20W	20	4000K	2200lm	Yes	60°
Neo-20-SM-Tilt	21145	21157	20W	20	5000K	2300lm	Yes	60°

Suitable for:

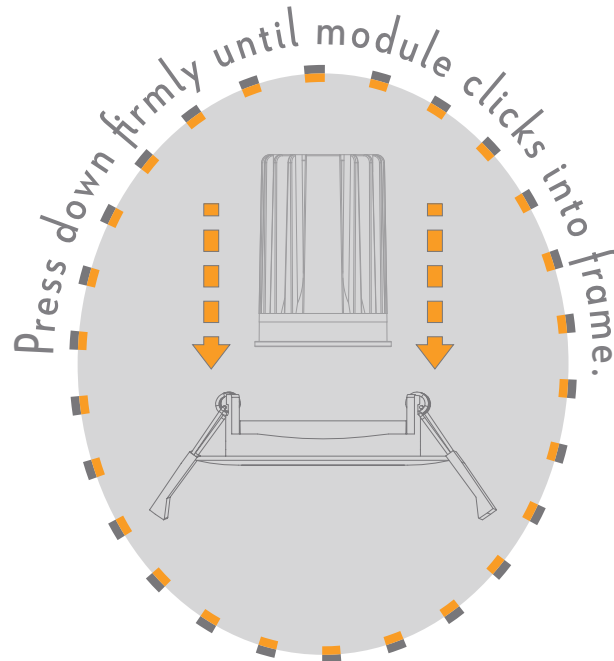
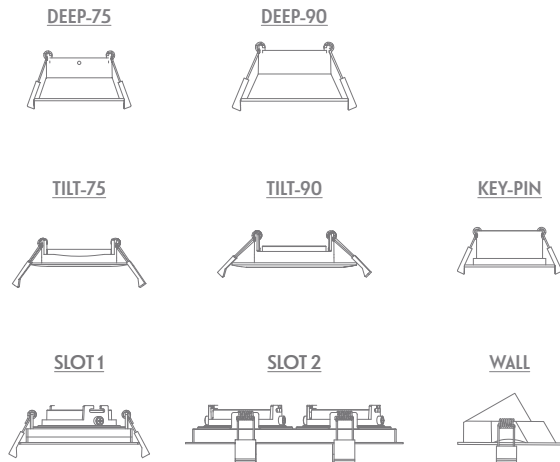
Ideal for all areas where recessing is not possible. Mostly used on timber ceilings and concrete ceilings. Added tilt feature ideal for raked ceiling or wall washing, or highlighting.



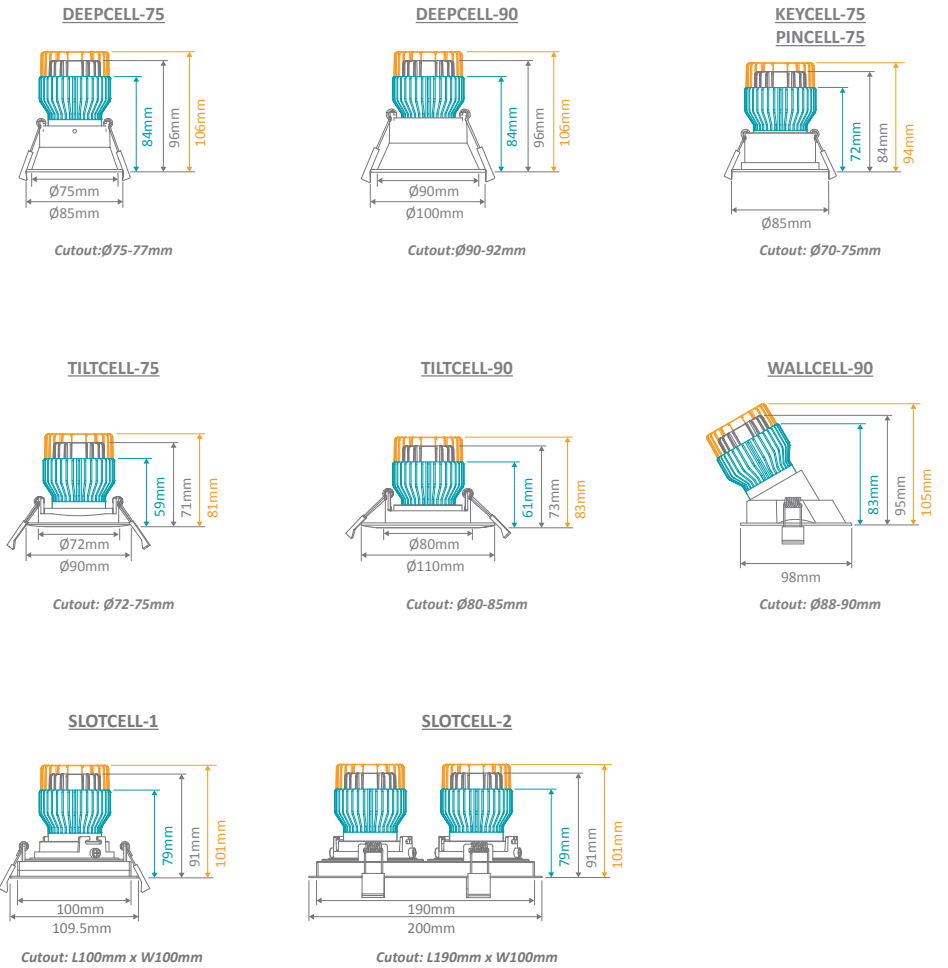
Choose a module



Choose a frame



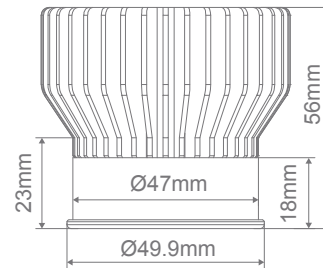
Assembled





Cell-12-Trio

Item No.	Variant	Wattage	Colour	IP Rating	Lumen Output			Dimmable	Beam Angle
					Warm White 3000K	Neutral White 4000K	White 5700K		
Cell-12-Trio	27069	12W	Trio	44	870lm	1000lm	990lm	Yes	60°
	27068								36°
	27067								24°
	27066								15°



Cell-12-Trio

Suitable for:

Simply choose a frame. Suitable for all rooms. Also suitable for bathrooms (excluding directly above shower).



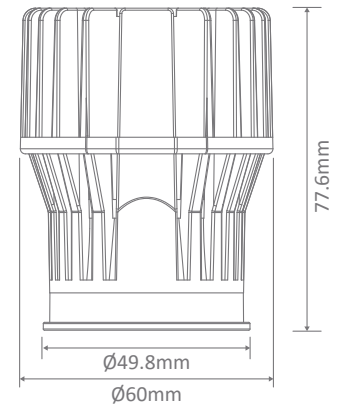
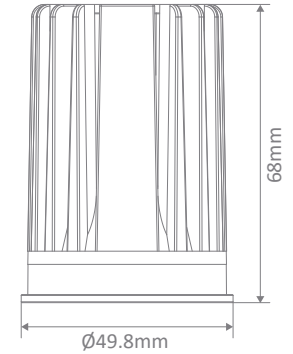


Cell-9-13



Cell-17

Item No.	Variant	Wattage	Colour	IP Rating	Lumen Output	Dimmable	Beam Angle
Cell-9	27000	9W	2700K	44	800lm	Yes	60°
	27001						36°
	27002						24°
	27003						15°
	27004	9W	3000K	44	810lm	Yes	60°
	27005						36°
	27006						24°
	27007						15°
	27008	9W	4000K	44	910lm	Yes	60°
	27009						36°
	27010						24°
	27011						15°
	27012	9W	5000K	44	880lm	Yes	60°
	27013						36°
	27014						24°
27015	15°						
Cell-13	27016	13W	2700K	44	1200lm	Yes	60°
	27017						36°
	27018						24°
	27019						15°
	27020	13W	3000K	44	1200lm	Yes	60°
	27021						36°
	27022						24°
	27023						15°
	27024	13W	4000K	44	1310lm	Yes	60°
	27025						36°
	27026						24°
	27027						15°
	27028	13W	5000K	44	1150lm	Yes	60°
	27029						36°
27030	24°						
27031	15°						
Cell-17	27032	17W	2700K	44	1500lm	Yes	60°
	27033						36°
	27034						24°
	27035						15°
	27036	17W	3000K	44	1550lm	Yes	60°
	27037						36°
	27038						24°
	27039						15°
	27040	17W	4000K	44	1650lm	Yes	60°
	27041						36°
	27042						24°
	26043						15°
	27044	17W	5000K	44	1600lm	Yes	60°
	27045						36°
27046	24°						
27047	15°						



Suitable for:
Simply choose a frame. Suitable for all rooms. Also suitable for bathrooms (excluding directly above shower).



Deep-75



Deep-90



Tilt-75



Tilt-90



Wall-90



Key-75



Pin-75



Slot-1



Item No.	Variant	Frame Colour
Cell-D75	27048	White
	27049	Black
Cell-D90	27050	White
	27051	Black
Cell-T75	27052	White
	27053	Black

Item No.	Variant	Frame Colour
Cell-T90	27054	White
	27055	Black
Cell-K75	27064	White
	27065	Black
Cell-P75	27062	White
	27063	Black

Item No.	Variant	Frame Colour
Cell-W90	27056	White
	27057	Black
Cell-S1	27058	White
	27059	Black
Cell-S2	27060	White
	27061	Black



Slot-2



Deepcell-75



Deepcell-90



Tiltcell-75



Tiltcell-90



Wallcell-90



Keycell-75



Pincell-75

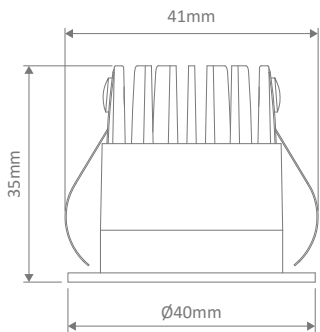


Slotcell-1

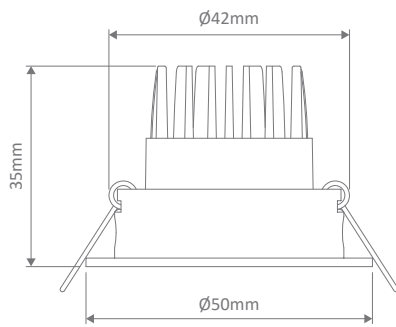


Slotcell-2

Assembled product may be different to pictures shown depending on the choice of module.



Cutout: Ø35mm



Cutout: Ø45mm

Pocket-3

Pocket-3-Tilt

Item No.	Variant	Wattage	Colour	IP Rating	CCT	Lumen Output	Beam Angle
Pocket-3	21161	3W	Black	20	3000K	125lm	20°
	21164				4000K		
	21167				5000K		
	21170		White		3000K		
	21173				4000K		
	21176				5000K		
Pocket-3-Tilt	21179	3W	Black	20	3000K	125lm	20°
	21182				4000K		
	21185				5000K		
	21188		White		3000K		
	21191				4000K		
	21194				5000K		

Suitable for:

Ideal for feature lighting. Mainly used in display cabinets.



Astra-Blk (Surface Mounted)



Astra-Blk (Recessed Mounted)



Astra-Slr (Recessed Mounted)



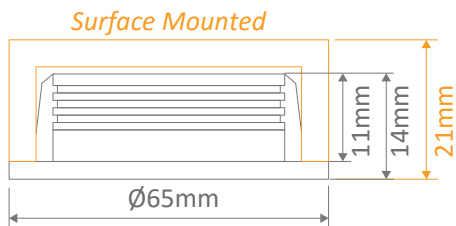
Astra-Wht (Recessed Mounted)



Astra-Wht (Surface Mounted)



Astra-Slr (Surface Mounted)



Recessed Cutout: Ø57mm

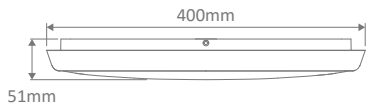
Suitable for:
Ideal for under kitchen cabinets.

Item No.	Variant	Wattage	Colour	IP Rating	CCT	Lumen Output	Dimmable	Beam Angle
Astra Wht	21282	3.6W	Satin White	44	3000K	200lm	No	90°
	21283				5000K	205lm		
Astra Blk	21284		3000K		200lm			
	21285		5000K		205lm			
Astra Slr	21280		3000K		200lm			
	21281		5000K		205lm			

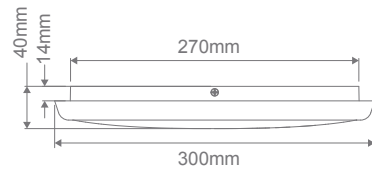
Requires 12V DC Constant Voltage LED Driver - Wire in Parallel



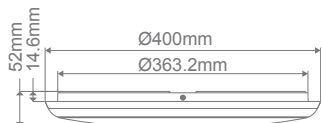
Solar-400-Sqr-Blk



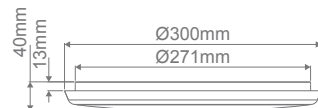
Solar-300-Sqr-Wht



Solar-400-Rnd-Blk



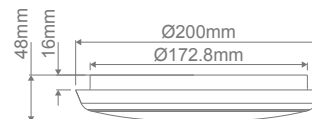
Solar-300-Rnd-Wht



Item No.	Variant	Wattage	Colour	IP Rating	CCT	Lumen Output			Dimmable	Beam Angle
						Warm White 3000K	Neutral White 4000K	White 5700K		
Solar-200-Rnd	20939	15W	Black White	54	Trio	1350lm	1400lm	1450lm	Yes	120°
	20938									
Solar-300-Rnd	20941	25W	Black White	54	Trio	2250lm	2300lm	2350lm	Yes	120°
	20940									
Solar-400-Rnd	20943	35W	Black White	54	Trio	3000lm	3050lm	3100lm	Yes	120°
	20942									
Solar-300-Sqr	20946	25W	Black White	54	Trio	2250lm	2300lm	2350lm	Yes	120°
	20944									
Solar-400-Sqr	20947	35W	Black White	54	Trio	3000lm	3050lm	3100lm	Yes	120°
	20945									



Solar-200-Rnd-Blk



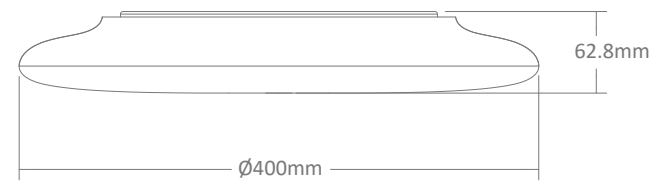
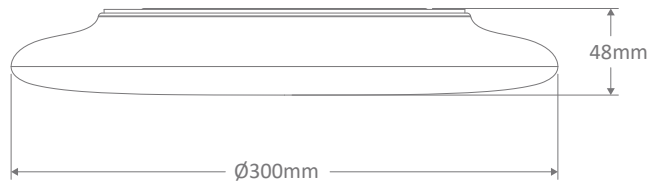
Suitable for:
Ideal for all areas. Commonly used in bedrooms, living rooms, and outdoor patio areas. Suitable for coastal applications.



Mondo-300



Mondo-400

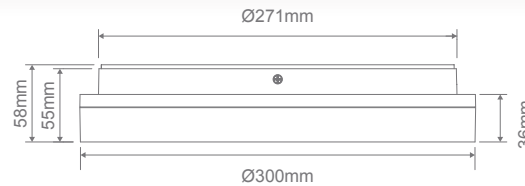


Item No.	Variant	Wattage	Colour	IP Rating	CCT	Lumen Output			Dimmable	Beam Angle
						Warm White 3000K	Neutral White 4000K	White 5700K		
Mondo-300	20873	20W	White	44	Trio	1700lm	1750lm	1800lm	Yes	120°
Mondo-400	20879	30W	White	44	Trio	2400lm	2450lm	2500lm	Yes	120°

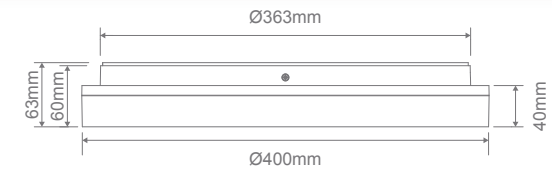
Suitable for:
 Ideal for all areas. Commonly used in bedrooms, living rooms, and outdoor patio areas. Suitable for coastal applications.



Sunset-250-Rnd



Sunset-300-Rnd

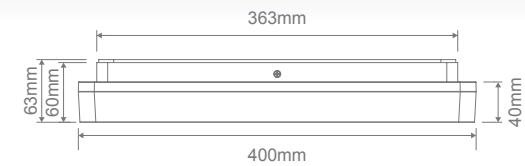
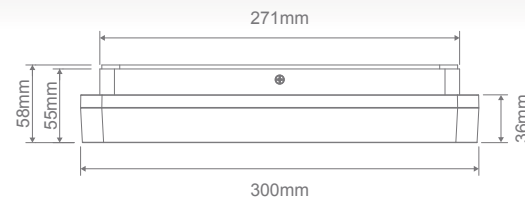
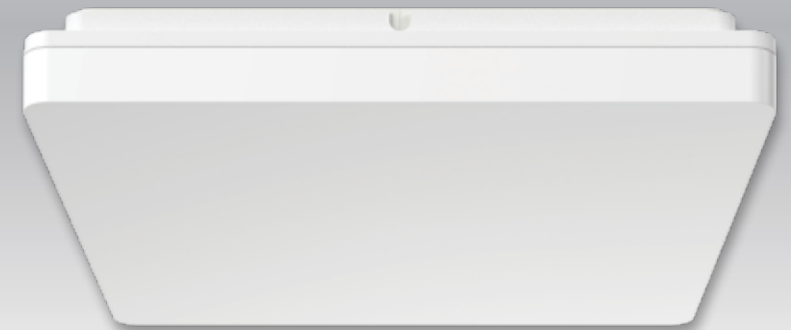
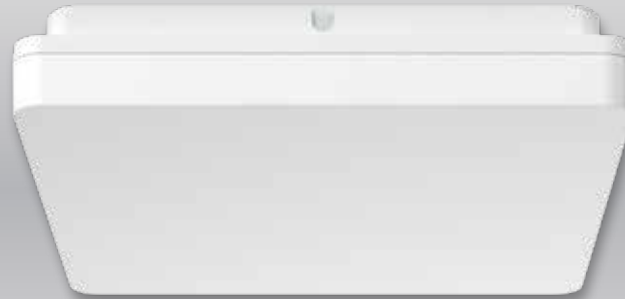
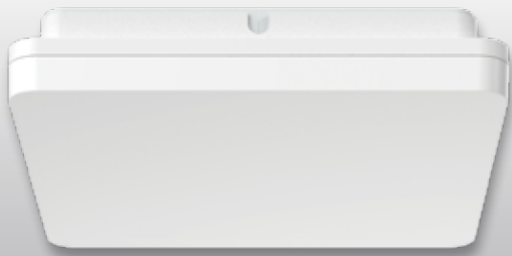


Sunset-400-Rnd

Item No.	Variant	Wattage	Colour	IP Rating	CCT	Lumen Output			Dimmable	Beam Angle
						Warm White 3000K	Neutral White 4000K	White 5700K		
Sunset-250-Rnd	20880	15W	White	54	Trio	1300lm	1400lm	1320lm	Yes	120°
Sunset-300-Rnd	20881	25W	White	54	Trio	2160lm	2410lm	2200lm	Yes	120°
Sunset-400-Rnd	20882	35W	White	54	Trio	3020lm	3420lm	3240lm	Yes	120°

Suitable for:

Ideal for all areas. Commonly used in bedrooms, living rooms, and outdoor patio areas. Suitable for coastal applications.



Sunset-250-Sqr

Sunset-300-Sqr

Sunset-400-Sqr

Item No.	Variant	Wattage	Colour	IP Rating	CCT	Lumen Output			Dimmable	Beam Angle
						Warm White 3000K	Neutral White 4000K	White 5700K		
Sunset-250-Sqr	20886	15W	White	54	Trio	1430lm	1520lm	1460lm	Yes	120°
Sunset-300-Sqr	20887	25W	White	54	Trio	2380lm	2620lm	2490lm	Yes	120°
Sunset-400-Sqr	20888	35W	White	54	Trio	3300lm	3570lm	3380lm	Yes	120°

Suitable for:
Ideal for all areas. Commonly used in bedrooms, living rooms, and outdoor patio areas. Suitable for coastal applications.

*Bring the warmth
into winter*

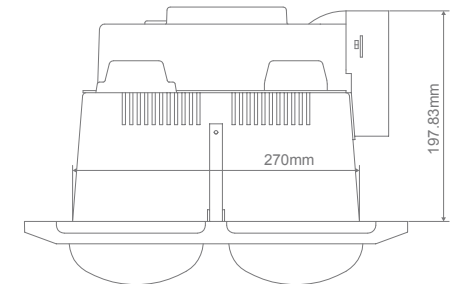
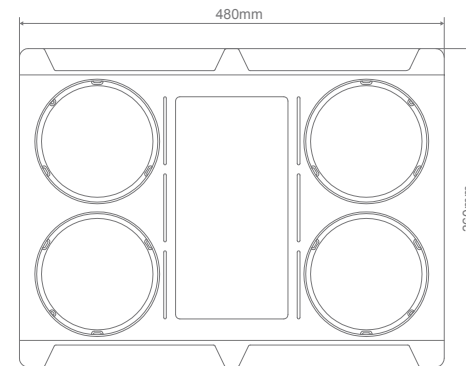
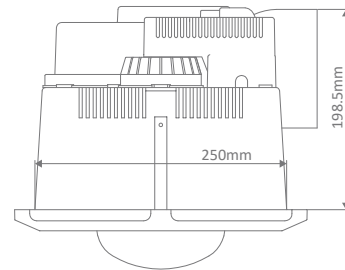
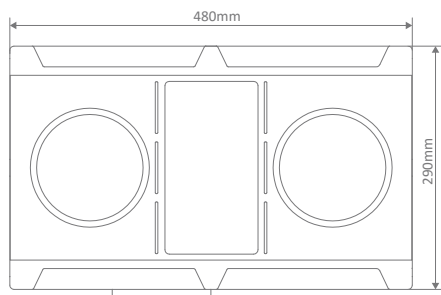




Profan 2



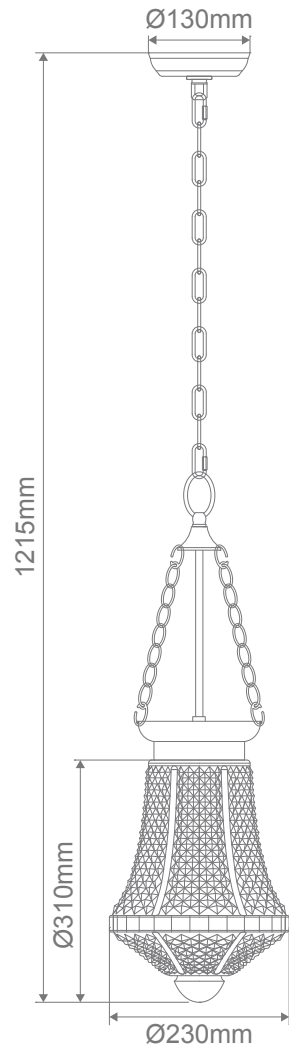
Profan 4



Item No.	Variant	Ball Bearing Motor	IP Rating	Heat Lamp	LED Type	Motor	Air Flow	Motor Speed	Fan Wheel	Noise
Profan-2	60010	40W	20	2x275W Infrared	1x12W LED Panel 3000K/5000K, (Switchable) 3000K - 800lm 5000K - 900lm	35W Ball Bearing	400m ³ /h	1100rpm	Ø160mm	48dB
Profan-4	60012	40W	20	4x275W Infrared	1x16W LED Panel 3000K/5000K, (Switchable) 3000K - 1100lm 5000K - 1200lm	35W Ball Bearing	400m ³ /h	1100rpm	Ø160mm	48dB

Suitable for:

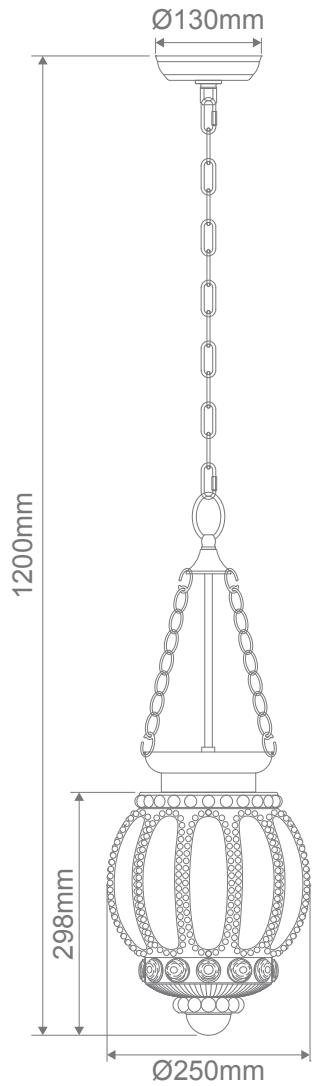
Profan-2: Ideal for small bathrooms and ensuites.
Profan-4: Suitable for larger bathrooms.



Suitable for:

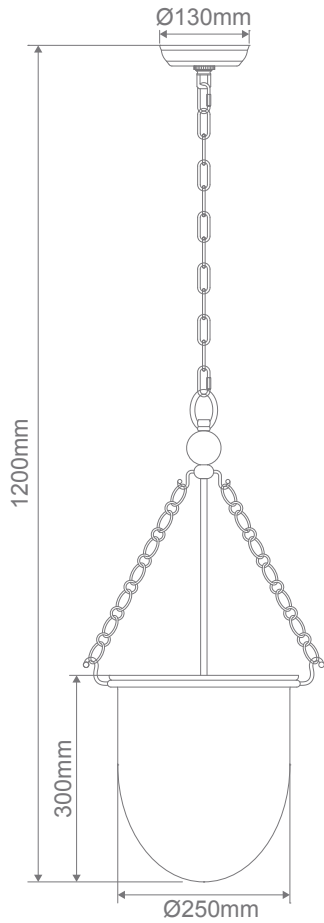
Hallways, dining room, bedrooms.

Item No.	Variant	Wattage	Colour	Requires
Maya	31330	20W	Clear	1xE27 Globe. Not Included
	31331		Grey	
	31332		Opal	

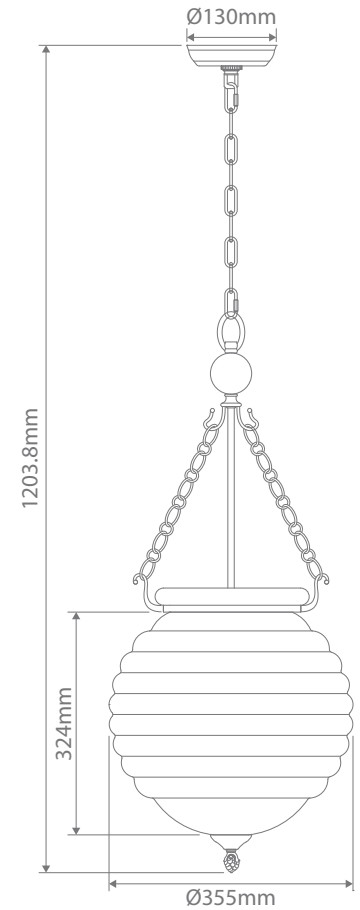


Item No.	Variant	Wattage	Colour	Requires
Chelsea	31340	20W	Clear	1xE27 Globe. Not Included
	31341		Grey	
	31342		Opal	

Suitable for:
Hallways, dining room, bedrooms.



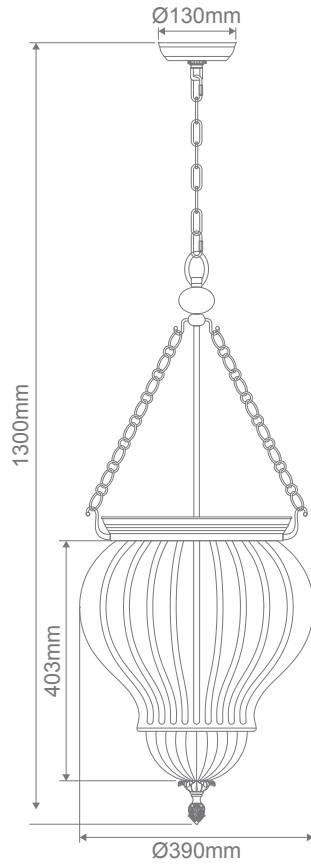
Alexa



Erin

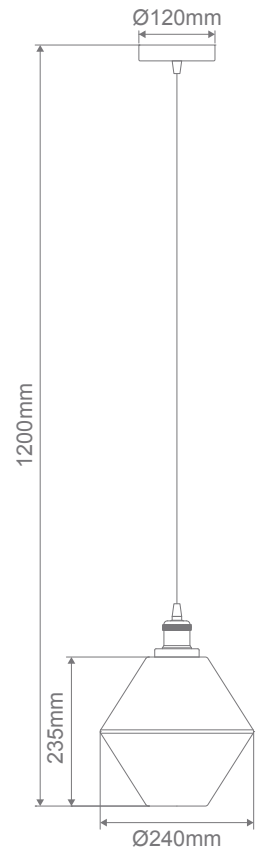
Suitable for:
Hallways, entrance, dining room, bedrooms.

Item No.	Variant	Wattage	Colour	Requires
Alexa	31325	20W	Clear	3x E14 Globe. Not Included
Erin	31321	20W	Clear	3x E14 Globe. Not Included



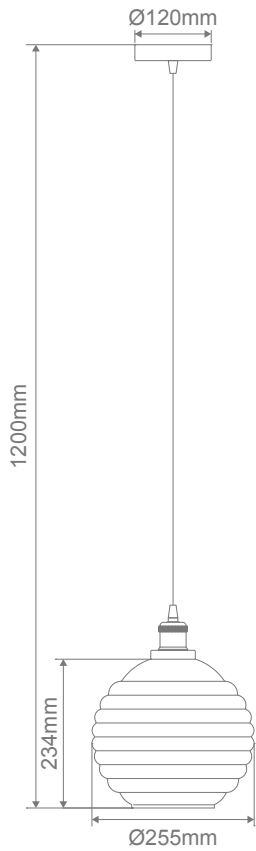
Item No.	Variant	Wattage	Colour	Requires
Diana	31323	20W	Clear	3xE14 Globe. Not Included

Suitable for:
Hallways, entrance, dining room,
bedrooms.



Item No.	Variant	Wattage	Colour	Requires
Alice	31300	20W	Amber	1xE27 Globe. Not Included
	31301		Clear	
	31302		Grey	

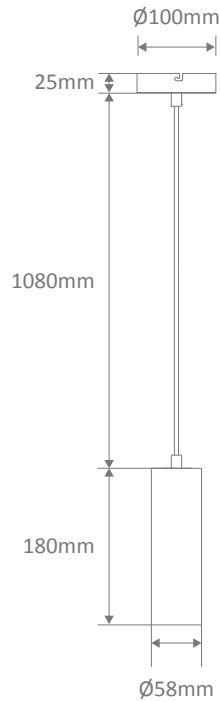
Suitable for:
 Ideal for above Breakfast bar, bedrooms.
 Commonly used in cafes and restaurants in commercial applications.



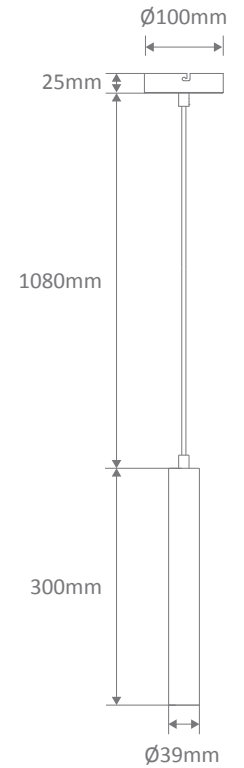
Item No.	Variant	Wattage	Colour	Requires
Eva	31305	20W	Grey	1xE27 Globe.
	31306		Opal	Not Included

Suitable for:

Ideal for above Breakfast bar, bedrooms. Commonly used in cafes and restaurants in commercial applications.



Star-10-180mm



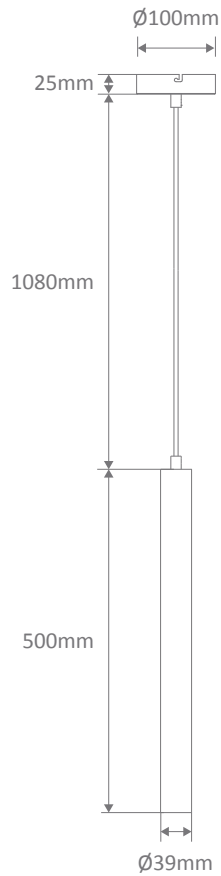
Star-5-300mm

Item No.	Variant	Wattage	Colour	IP Rating	CCT	Lumen Output	Dimmable	Beam Angle
Star-10-180	21065	10W	Black	20	3000K	1000lm	No	60°
	21066				4000K	1050lm		
	21067				5000K	1100lm		
	21068		White		3000K	1000lm		
	21069				4000K	1050lm		
	21070				5000K	1100lm		

Item No.	Variant	Wattage	Colour	IP Rating	CCT	Lumen Output	Dimmable	Beam Angle
Star-5-300	21051	5W	Black	20	3000K	500lm	No	60°
	21052				4000K	530lm		
	21053				5000K	550lm		
	21054		White		3000K	500lm		
	21055				4000K	530lm		
	21056				5000K	550lm		

Suitable for:

Commonly used above breakfast bar in kitchens, and above service counters for retail stores. Also used in bedrooms as a corner feature pendant.



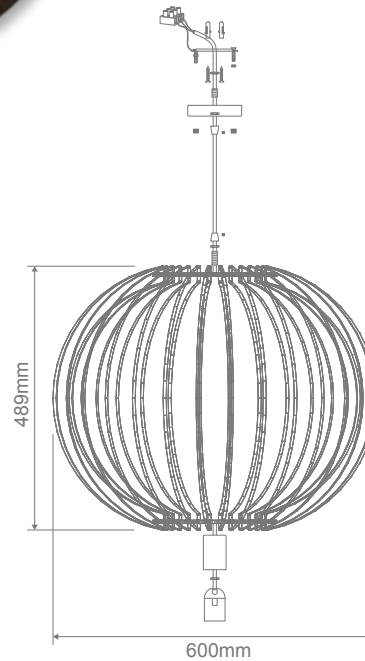
Star-5-500mm

Item No.	Variant	Wattage	Colour	IP Rating	CCT	Lumen Output	Dimmable	Beam Angle
Star-5 -500	21058	5W	Black	20	3000K	500lm	No	60°
	21059				4000K	530lm		
	21060				5000K	550lm		
	21061		White		3000K	500lm		
	21062				4000K	530lm		
	21063				5000K	550lm		

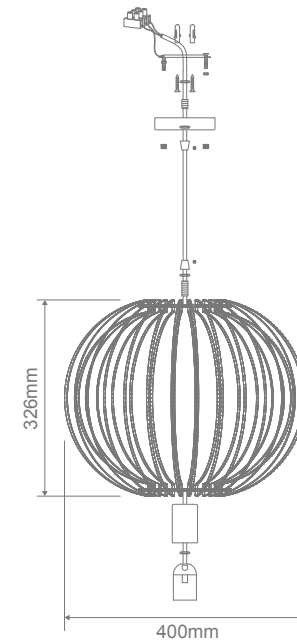
Suitable for:

Commonly used above breakfast bar in kitchens, and above service counters for retail stores.
 Also used in bedrooms as a corner feature pendant.

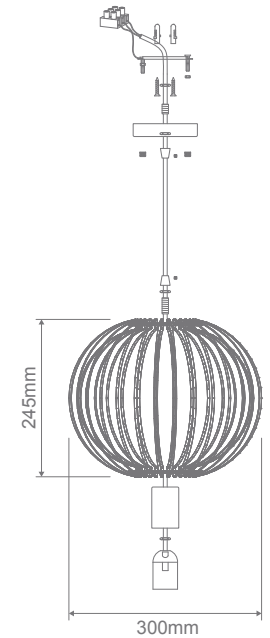




Puffin-60



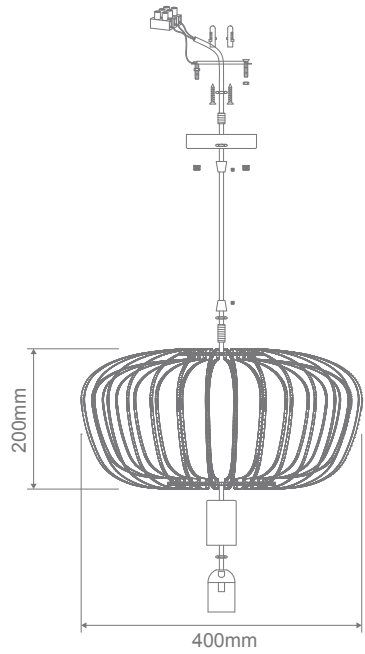
Puffin-40



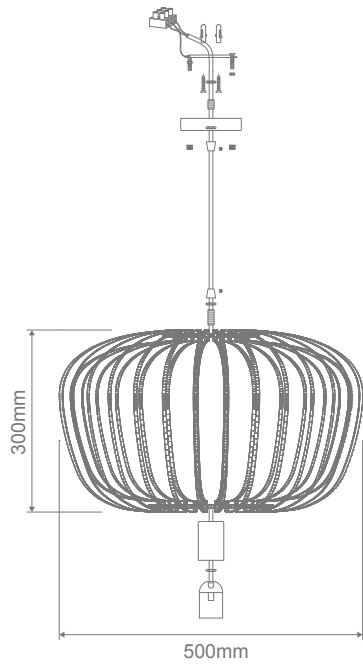
Puffin-30

Item No.	Variant	Colour	Requires
Puffin-30	31015	Black	E27 Lamp (Not Included)
	31016	Brown	
	31017	White	
Puffin-40	31020	Black	E27 Lamp (Not Included)
	31021	Brown	
	31022	White	
Puffin-60	31025	Black	E27 Lamp (Not Included)
	31026	Brown	
	31027	White	

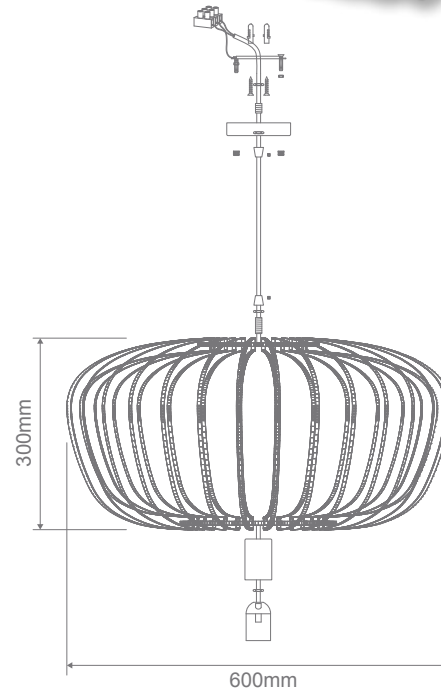
Suitable for:
 Suitable for bedrooms, living rooms, hallways. Also ideal for cafe and restaurants as feature pendants.



Robin-40



Robin-50



Robin-60

Suitable for:
 Suitable for bedrooms, living rooms, hallways. Also ideal for cafe and restaurants as feature pendants.

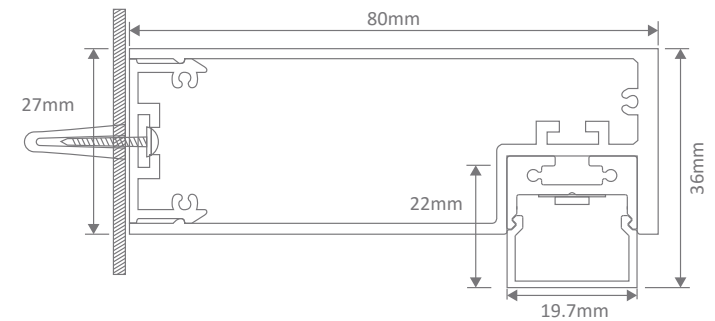
Item No.	Variant	Colour	Requires
Robin-40	31000	Black	E27 Lamp (Not Included)
	31001	Brown	
	31002	White	
Robin-50	31005	Black	E27 Lamp (Not Included)
	31006	Brown	
	31007	White	
Robin-60	31010	Black	E27 Lamp (Not Included)
	31011	Brown	
	31012	White	





Item No.	Variant	Wattage	Colour	IP Rating	CCT	Lumen Output	Dimmable
Shadowline-600	23500	6W	Aluminium	20	3200K	504lm	No
	23502				4000K	540lm	
	23504				6500K	576lm	
	23510		Black		3200K	504lm	
	23512				4000K	540lm	
	23514				6500K	576lm	
	23520		White		3200K	504lm	
	23522				4000K	540lm	
	23524				6500K	576lm	
Shadowline-900	23550	9W	Aluminium	20	3200K	756lm	No
	23552				4000K	810lm	
	23554				6500K	864lm	
	23560		Black		3200K	756lm	
	23562				4000K	810lm	
	23564				6500K	864lm	
	23570		White		3200K	756lm	
	23572				4000K	810lm	
	23574				6500K	864lm	

Shadowline-900 Black, White & Aluminium



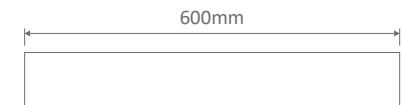
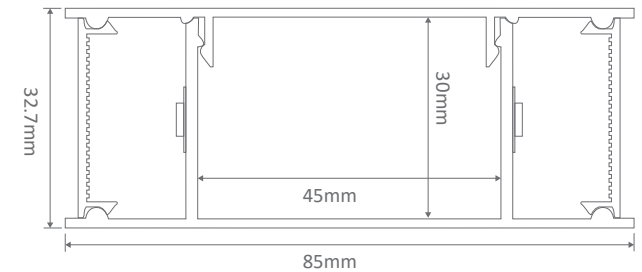
Suitable for:

Most commonly used as a picture light over artwork, or as a mirror light in the bathroom.





Item No.	Variant	Wattage	Colour	IP Rating	CCT	Lumen Output (each way)	Dimmable	Beam Angle
Lumaline-2-600	23600	23W	Aluminium	20	3200K	793lm	No	110°
	23602				4000K	885lm		
	23604				6500K	898lm		
	23610		Black		3200K	793lm		
	23612				4000K	885lm		
	23614				6500K	898lm		
	23620		White		3200K	793lm		
	23622				4000K	885lm		
	23624				6500K	898lm		
Lumaline-2-900	23650	34.5W	Aluminium	20	3200K	1189lm	No	110°
	23652				4000K	1328lm		
	23654				6500K	1347lm		
	23660		Black		3200K	1189lm		
	23662				4000K	1328lm		
	23664				6500K	1347lm		
	23670		White		3200K	1189lm		
	23672				4000K	1328lm		
	23674				6500K	1347lm		



Lumaline-2-900 Black, White & Aluminium

Suitable for:

Very effective feature wall light in most applications.



Line-46-1.2Mt-Whit-5K (23012)



Item No.	Variant	Wattage	Colour	IP Rating	CCT	Lumen Output (each way)	Dimmable	Beam Angle
Line-46-1.2Mt	23000	20.8W	Aluminium	20	3000K	2960lm	No	120°
	23002				4000K	3120lm		
	23004				6500K	3120lm		
	23020		Black		3000K	2960lm		
	23022				4000K	3120lm		
	23024				6500K	3120lm		
	23010		White		3000K	2960lm		
	23012				4000K	3120lm		
	23014				6500K	3120lm		
Line-46-1.7Mt	23030	31.2W	Aluminium	20	3000K	4440lm	No	120°
	23032				4000K	4680lm		
	23034				6500K	4680lm		
	23050		Black		3000K	4440lm		
	23052				4000K	4680lm		
	23054				6500K	4680lm		
	23040		White		3000K	4440lm		
	23042				4000K	4680lm		
	23044				6500K	4680lm		

Suitable for:

Commonly used above breakfast bar in kitchens, and above service counters for retail stores.

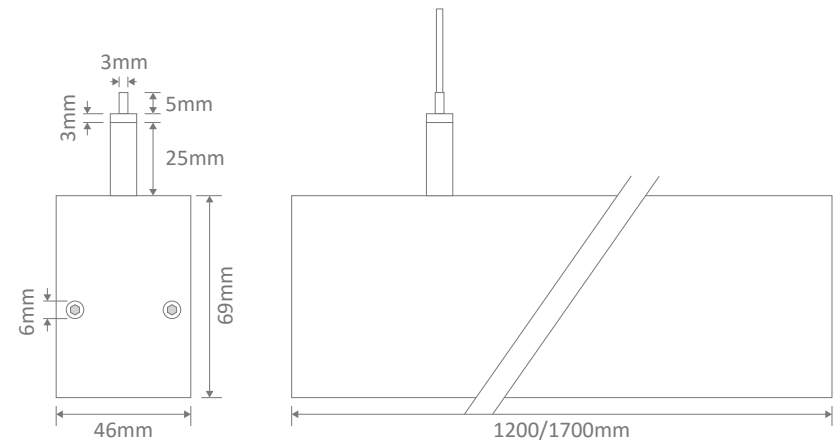
Line-46-1.7Mt-Blk



Line-46-Alu-Blk



Line-46-Alu-Wht

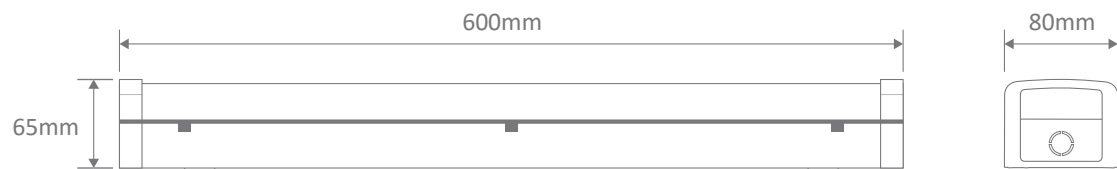




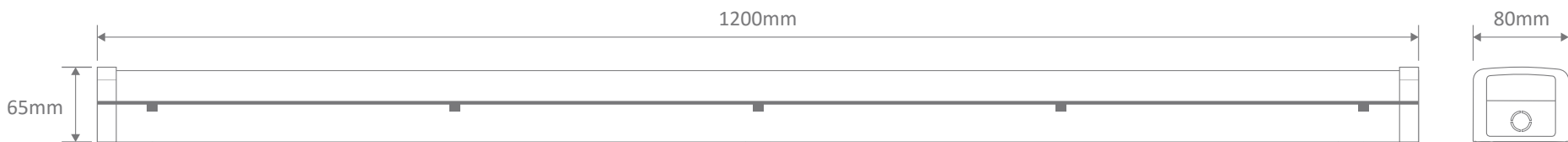
BOLT-60

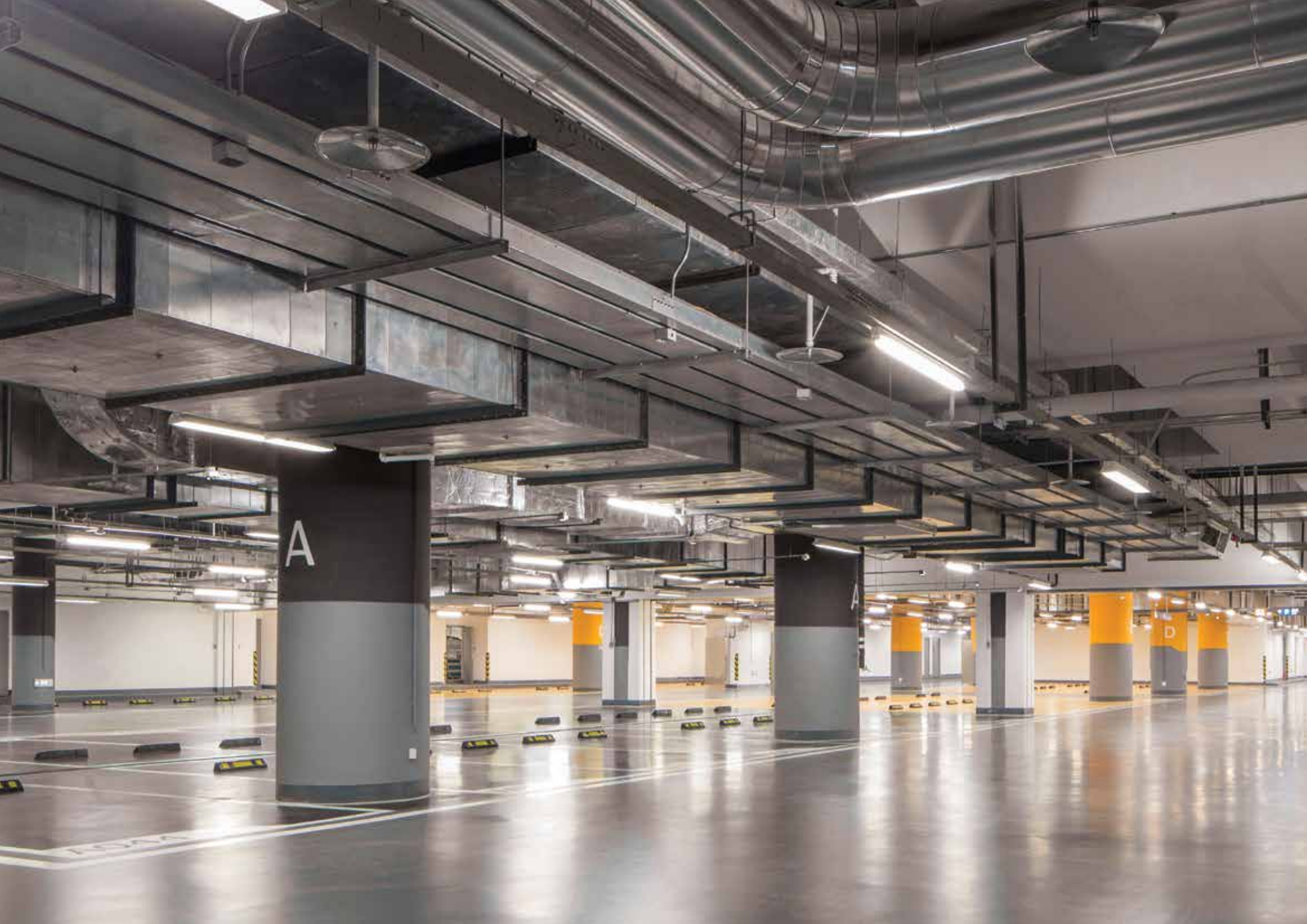
Suitable for:
Most commonly used in garages and laundries.

Item No.	Variant	Wattage	Colour	IP Rating	CCT	Lumen Output	Dimmable	Beam Angle
Bolt-60	66002	10/21W	White	44	5000K	850lm/1750lm	No	120°
Bolt-120	66005	21/42W	White	44	5000K	1750lm/3500lm	No	120°



BOLT-120







Key Fancy Round Frost B22



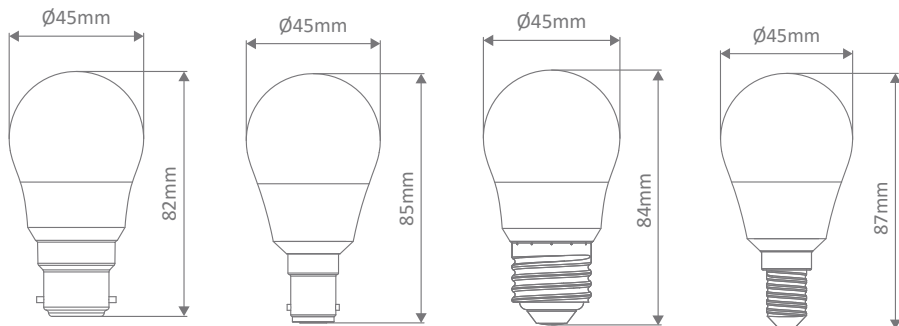
Key Fancy Round Frost B15



Key Fancy Round Frost E27



Key Fancy Round Frost E14



Suitable for:
Great replacement for traditional halogen or incandescent fancy round globes.

Item No.	Variant	Wattage	Wattage Equiv.	CCT	Cap	CRI	Lumen Output	Lifespan	Dimmable	Beam Angle
Key-FR-6 FRS	65020	6W	40W	2700K	B15	≥80	470lm	15,000h	Yes	190°
	65022			6500K						
	65024			2700K	B22					
	65026			6500K						
	65028			2700K	E14					
	65030			6500K						
	65032			2700K	E27					
	65034			6500K						

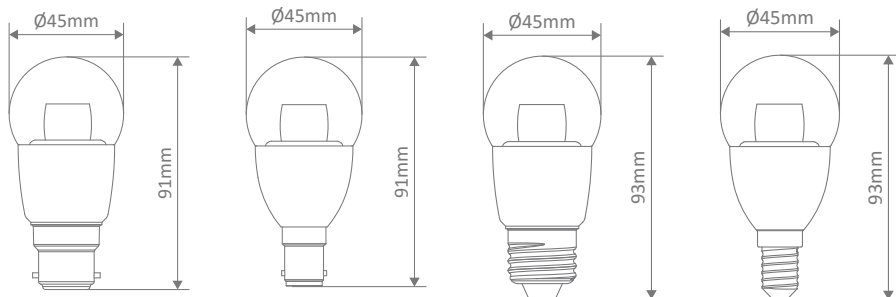


Key Fancy Round Clear B22

Key Fancy Round Clear B15

Key Fancy Round Clear E27

Key Fancy Round Clear E14



Suitable for:
Great replacement for traditional halogen or incandescent fancy round globes. Most commonly used in crystal chandeliers.

Item No.	Variant	Wattage	Wattage Equiv.	CCT	Cap	CRI	Lumen Output	Lifespan	Dimmable	Beam Angle
Key-FR-6 CLR	65040	6W	40W	2700K	B15	≥80	470lm	15,000h	Yes	180°
	65042			6500K						
	65044			2700K	B22					
	65046			6500K						
	65048			2700K	E14					
	65050			6500K						
	65052			2700K	E27					
	65054			6500K						



Key Candle Frost B22

Key Candle Frost B15

Key Candle Frost E27

Key Candle Frost E14

Key Candle Frost B22

Key Candle Frost B15

Key Candle Frost E27

Key Candle Frost E14

Item No.	Variant	Wattage	Wattage Equiv.	CCT	Cap	CRI	Lumen Output	Lifespan	Dimmable	Beam Angle
Key-Can-FRS	65060	6W	40W	2700K	B15	≥80	470lm	15,000h	Yes*	240°
	65062			6500K						
	65064			2700K	B22					
	65066			6500K						
	65068			2700K	E14					
	65070			6500K						
	65072			2700K	E27					
	65074			6500K						

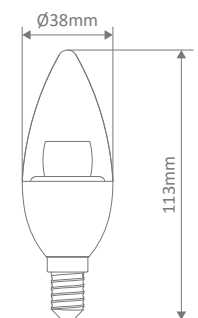
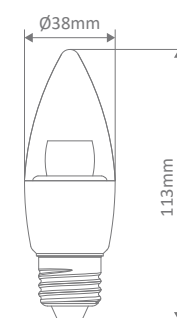
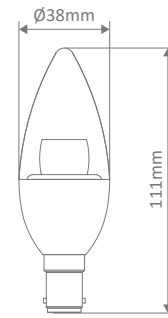
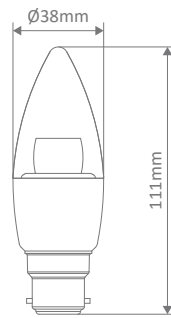
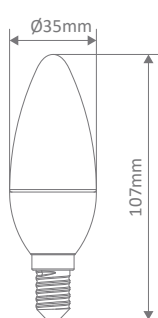
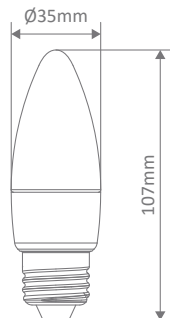
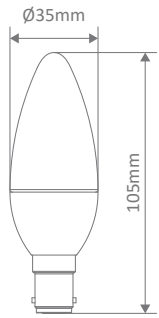
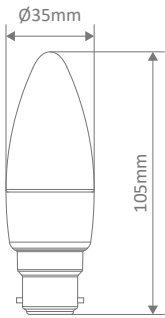
Item No.	Variant	Wattage	Wattage Equiv.	CCT	Cap	CRI	Lumen Output	Lifespan	Dimmable	Beam Angle
Key-Can-CLR	65080	6W	40W	2700K	B15	≥80	470lm	15,000h	Yes	200°
	65082			6500K						
	65084			2700K	B22					
	65086			6500K						
	65088			2700K	E14					
	65090			6500K						
	65092			2700K	E27					
	65094			6500K						

Suitable for:

Great replacement for traditional halogen or incandescent candle globes.

Suitable for:

Great replacement for traditional halogen or incandescent candle globes. Most commonly used in crystal chandeliers.



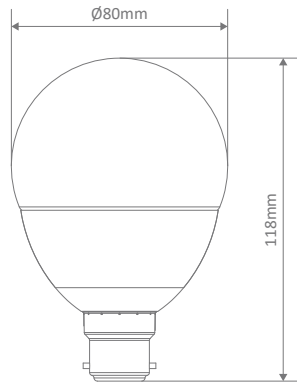
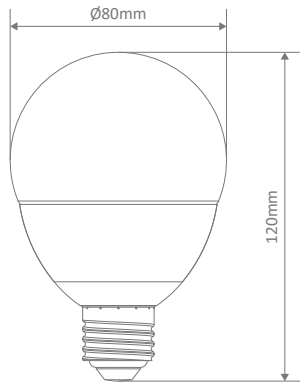


G80 Spherical Lamp E27

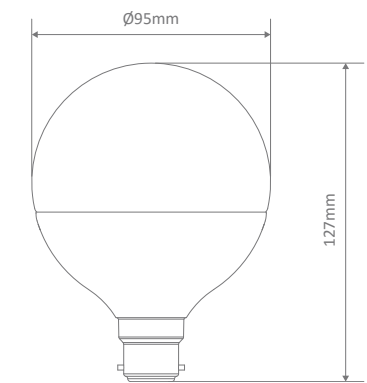
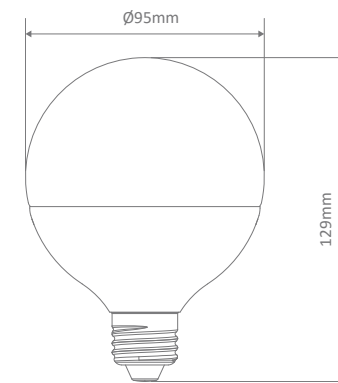
G80 Spherical Lamp B22

G95 Spherical Lamp E27

G95 Spherical Lamp B22



Suitable for:
Commonly used in feature pendants that only have one lampholder.



Item No.	Variant	Wattage	Wattage Equiv.	CCT	Cap	CRI	Lumen Output	Lifespan	Dimmable	Beam Angle
Key-G80 Spherical	65140	9.5W	60W	2700K	B22	≥80	806lm	15,000h	No	200°
	65142			6500K						
	65144			2700K	E27					
	65146			6500K						

Item No.	Variant	Wattage	Wattage Equiv.	CCT	Cap	CRI	Lumen Output	Lifespan	Dimmable	Beam Angle
Key-G95 Spherical	65150	13W	75W	2700K	B22	≥80	1055lm	15,000h	No	150°
	65152			6500K						
	65154			2700K	E27					
	65156			6500K						

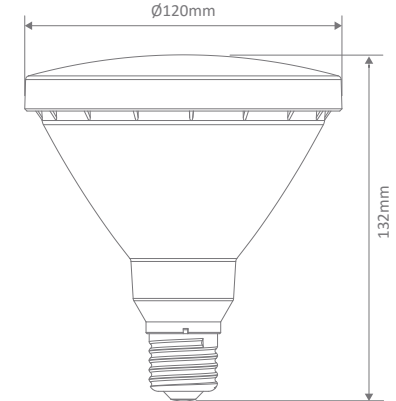
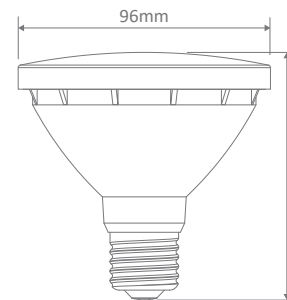
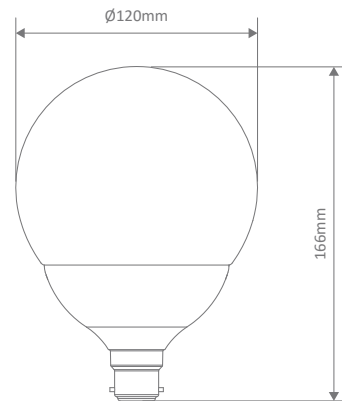
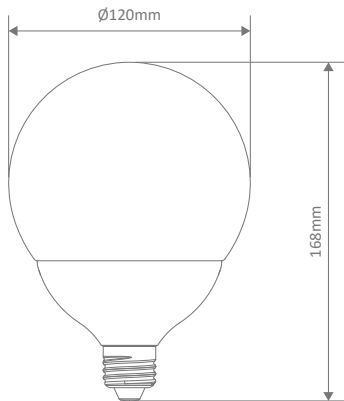


G120 Spherical Lamp E27

G120 Spherical Lamp B22

Par-30

Par-38



Suitable for:

Commonly used in feature pendants that only have one lampholder.

Item No.	Variant	Wattage	Wattage Equiv.	CCT	Cap	CRI	Lumen Output	Lifespan	Dimmable	Beam Angle
Key-G120 Spherical	65160	17W	100W	2700K	B22	≥80	1521lm	15,000h	No	240°
	65162			6500K						
	65164			2700K	E27					
	65166			6500K						

Suitable for:

Commonly used as a powerful globe to highlight or spotlight features or areas.

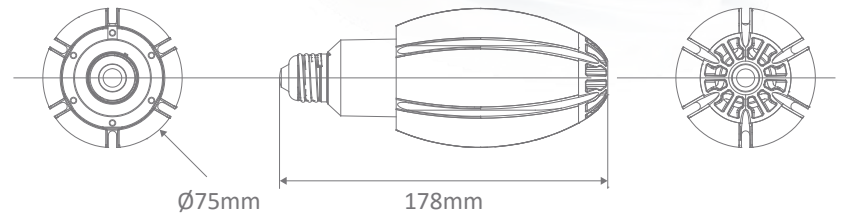
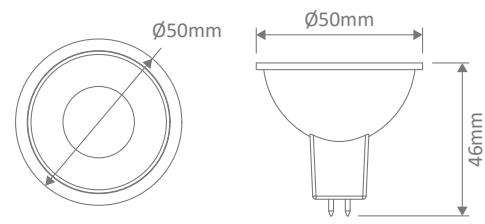
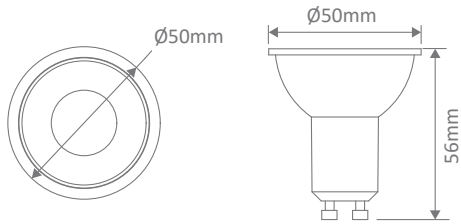
Item No.	Variant	Wattage	CCT	IP Rating	Base	CRI	Lumen Output	Lifespan	Dimmable	Beam Angle
Key-Par-30	65036	12W	3000K	44	E27	≥80	1050lm	30,000h	No	36°
	65038		5000K				1100lm			
Key-Par-38	65195	16W	3000K	44	E27	≥80	1350lm	30,000h	No	36°
	65197		5000K				1400lm			



GU10



MR16



Suitable for:

GU10 - Ideal as a replacement to traditional halogen globes. Commonly used in exterior Up/down lights or interior spotlights.
 MR16 - Ideal as a replacement to traditional halogen globes. Commonly used in garden spike lights.

Suitable for:

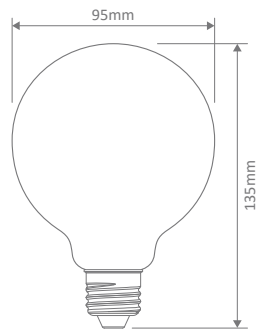
Commonly used in exterior garden bollards. Great replacement for halogen or compact fluorescent globes, or where a lot of light is required from a single light point.

Item No.	Variant	Wattage	IP Rating	CCT	CRI	Lifespan	Lumen Output	Dimmable	Beam Angle	Requires
Key-MR16	65012	6W	20	3000K	≤80	30,000hrs	450lm	Yes	60°	12V DC LED driver
	65014			5000K			500lm			
Key-GU10	65008	6W	20	3000K	≤80	30,000hrs	450lm	Yes	60°	N/A
	65010			5000K			500lm			

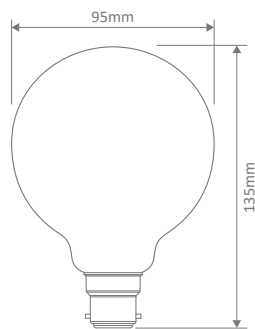
Item No.	Variant	Wattage	IP Rating	CCT	Cap	CRI	Lifespan	Lumen Output	Dimmable	Beam Angle
Key-Corn	65202	22W	62	3000K	E27	≥75	50,000h	2500lm	No	330°
	65204			4000K				2750lm		
	65206			5000K				3000lm		



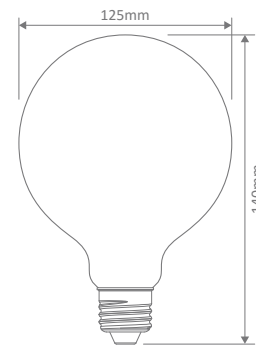
CF Sphere-95



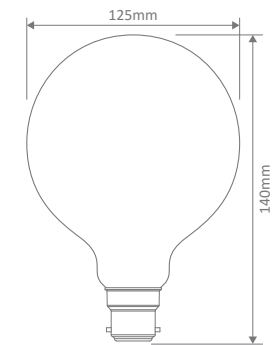
CF Sphere-95



CF Sphere-125



CF Sphere-125



Suitable for:

Commonly used in pendants to create a soft warm ambience. Popular in cafes and restaurants.

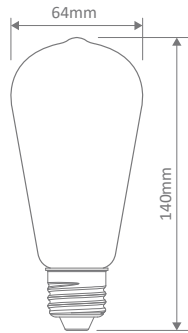
Item No.	Variant	Wattage	CCT	Cap	Lumen Output	Lifespan	Dimmable	Beam Angle
G95-Sphere	65915	25W	2000K	B22	175lm	2,500 - 3,000hrs	Yes	280°
	65916			E27				

Item No.	Variant	Wattage	CCT	Cap	Lumen Output	Lifespan	Dimmable	Beam Angle
G125-Sphere	65919	25W	2000K	B22	175lm	2,500 - 3,000hrs	Yes	280°
	65920			E27				

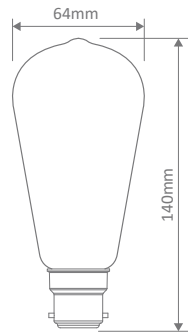




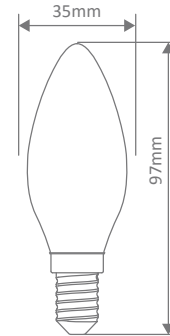
CF Pear



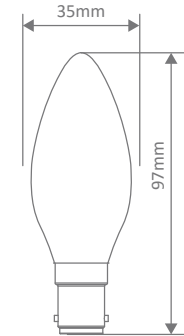
CF Pear



CF Candle



CF Candle

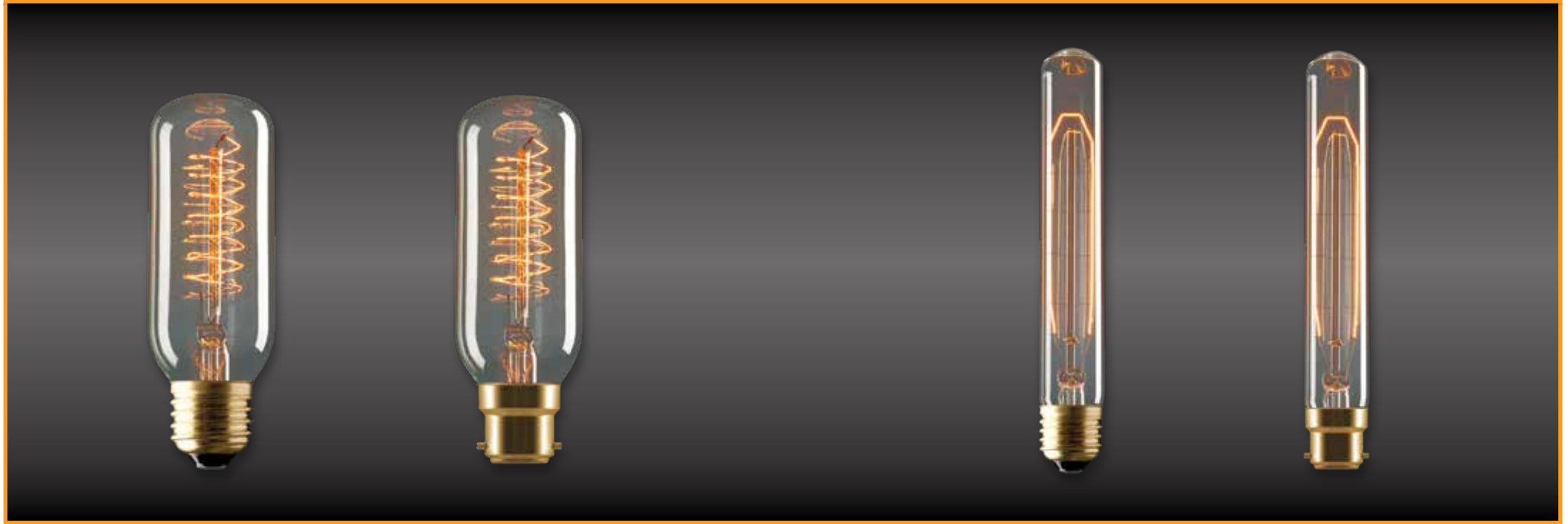


Suitable for:

Commonly used in pendants to create a soft warm ambience. Popular in cafes and restaurants.

Item No.	Variant	Wattage	CCT	Cap	Lumen Output	Lifespan	Dimmable	Beam Angle
Pear	65912	25W	2000K	B22	175lm	2,500 - 3,000hrs	Yes	280°
	65913			E27				

Item No.	Variant	Wattage	CCT	Cap	Lumen Output	Lifespan	Dimmable	Beam Angle
Candle	65900	25W	2000K	B15	175lm	2,500 - 3,000hrs	Yes	280°
	65901			E14				

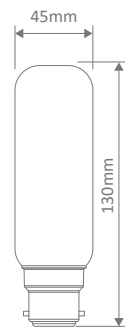
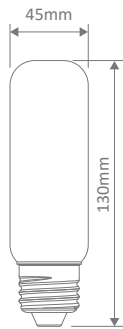


CF Mini-Banana

CF Mini-Banana

CF Banana

CF Banana

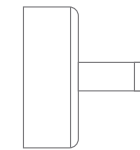
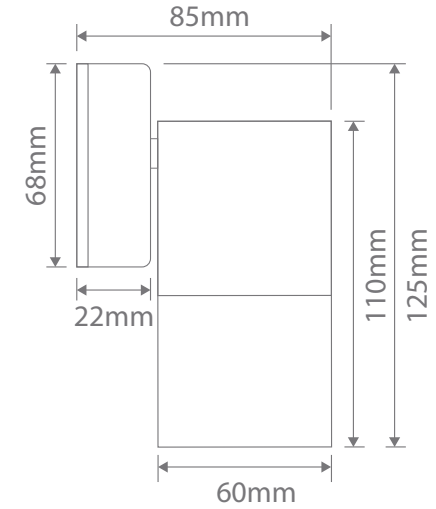


Suitable for:
Commonly used in pendants to create a soft warm ambience. Popular in cafes and restaurants.

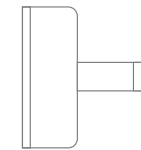


Item No.	Variant	Wattage	CCT	Cap	Lumen Output	Lifespan	Dimmable	Beam Angle
Mini Banana	65904	25W	2000K	B22	175lm	2,500 - 3,000hrs	Yes	280°
	65905			E27				

Item No.	Variant	Wattage	CCT	Cap	Lumen Output	Lifespan	Dimmable	Beam Angle
Banana	65908	20W	2000K	B22	140lm	2,500 - 3,000hrs	Yes	280°
	65909			E27				



Aluminium models



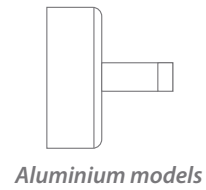
Stainless Steel & Copper models

Shadow-1LT-WB

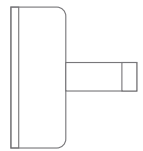
Shadow-1-WB Copper & Stainless Steel

Suitable for:
Ideal as a feature exterior wall light.
Commonly used on front facades.

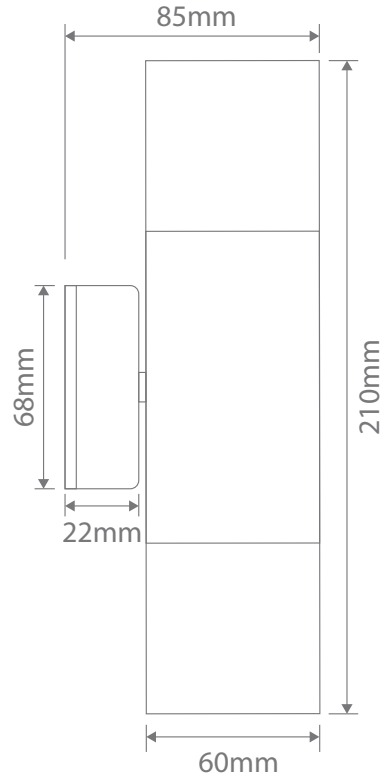
Item No.	Finish	Variant	Wattage	IP Rating	Requires
Shadow-1-WB	Stainless Steel	49015	5-10W*	65	*GU10 Lamp (Not included)
	Copper	49014			
	Black	49011			
	White	49012			
	Titanium Silver	49013			



Aluminium models



Stainless Steel & Copper models



Shadow-2LT-WB



Shadow-2WB White, Black & Titanium Silver

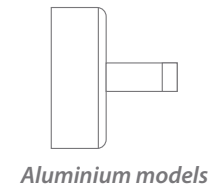
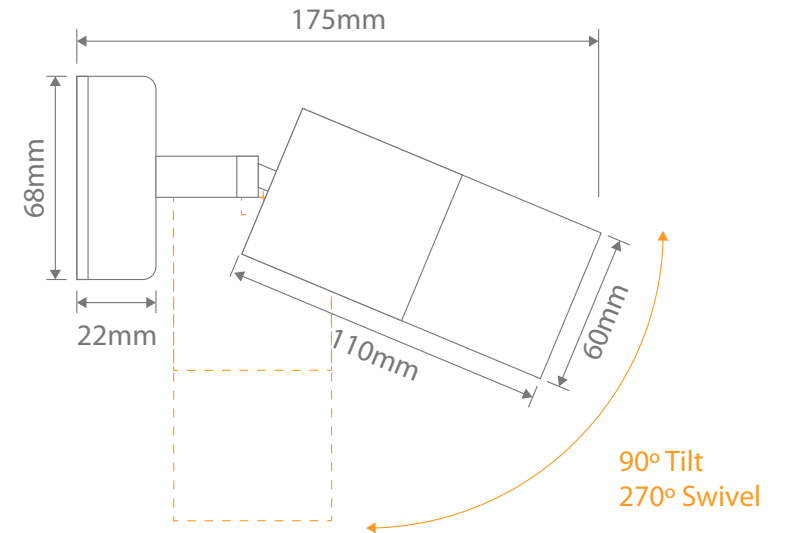
Item No.	Finish	Variant	Wattage	IP Rating	Requires
Shadow-2WB	Stainless Steel	49025	2x5-10W*	65	*GU10 Lamp (Not included)
	Copper	49024			
	Black	49021			
	White	49022			
	Titanium Silver	49023			

Suitable for:

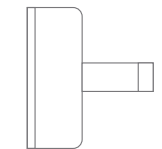
Ideal as a feature exterior wall light. Commonly used on front facades.



Shadow-1-ADJ Black & White



Aluminium models



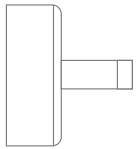
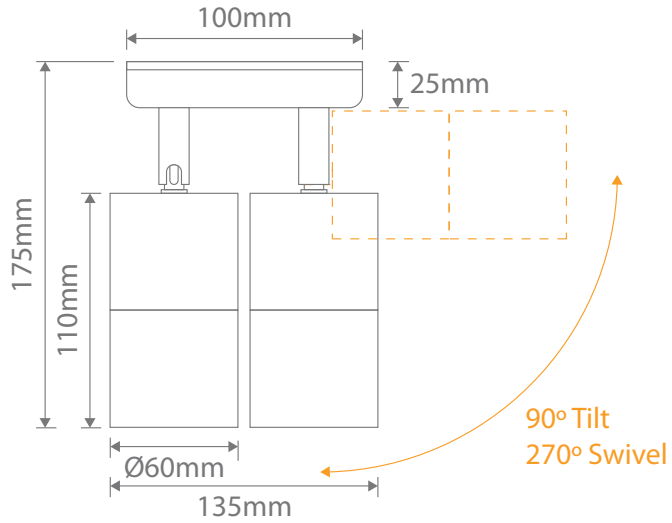
Stainless Steel & Copper models

Suitable for:
Ideal for spotlighting or highlighting small areas.
Commonly used for highlighting BBQ area.

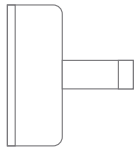
Item No.	Finish	Variant	Wattage	IP Rating	Requires
Shadow-1-Adj	Stainless Steel	49045	5-10W*	65	*GU10 Lamp (Not included)
	Copper	49044			
	Black	49041			
	White	49042			
	Titanium Silver	49043			



Exterior - Wall Lights



Aluminium models



Stainless Steel
& Copper models



Shadow-2-Adj Copper

Item No.	Finish	Variant	Wattage	IP Rating	Requires
Shadow-2-Adj	Stainless Steel	49055	2x5-10W*	65	*GU10 Lamp (Not included)
	Copper	49054			
	Black	49051			
	White	49052			
	Titanium Silver	49053			

Suitable for:

Ideal for spotlighting or highlighting small areas. Commonly used for sides of the house or highlighting BBQ area.



Shadow-2-Adj Stainless Steel



Shadow-2-Adj Titanium Silver

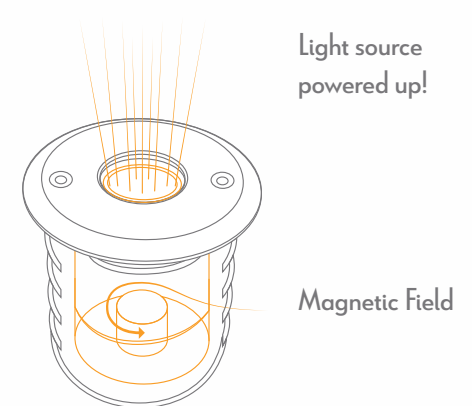
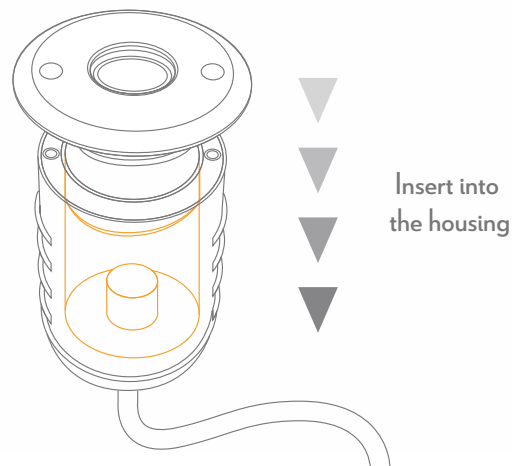
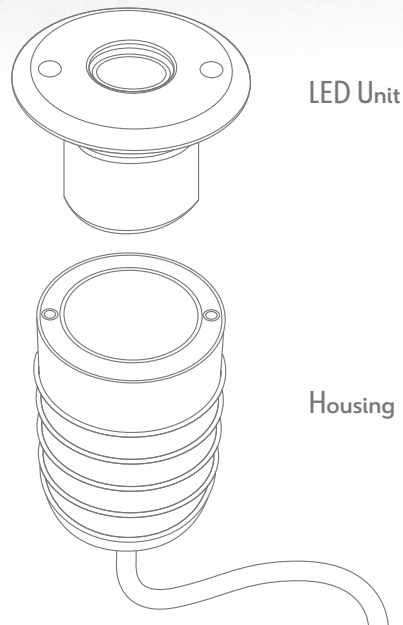


Magneto LED Inground Series *Electromagnetic Induction*

No direct cable connection
from base unit to LED Light.

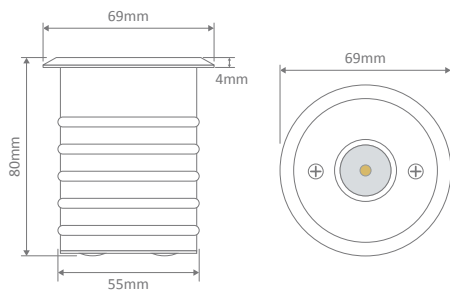
Induction technology passes current
to LED Light through magnetic process
to illuminate LED.

No more failed Inground lights from filling
up with water, simply provide a 24V DC
waterproof connection to the unit.





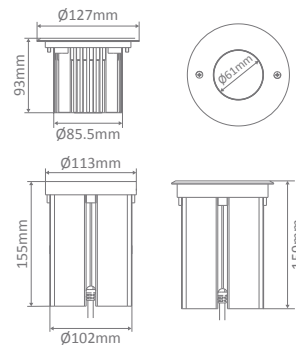
Magneto-3



Cutout: \varnothing 60-65mm



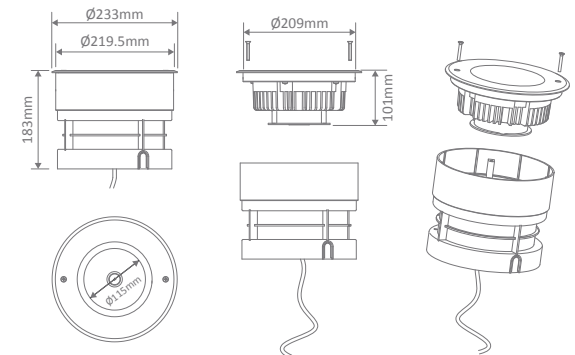
Magneto-9



Cutout: \varnothing 110-120mm



Magneto-18



Cutout: \varnothing 205-215mm

Item No.	Variant	Colour	CCT	Wattage	IP Rating	Beam Angle	Lumen Output
Magneto-3-60D	21082	Stainless Steel	3000K	3W	67	60°	95lm
	21083		5000K				
Magneto-3-25D	21080	Stainless Steel	3000K	3W	67	25°	95lm
	21081		5000K				
Magneto-9-45D	21086	Stainless Steel	3000K	9W	67	45°	675lm
	21088		5000K				720lm

Requires 24V DC LED Driver - Wire in parallel.

Suitable for:

The most user friendly and possibly the most reliable range of Inground lights due to the replaceable light units, and the fact that there is no direct connection to the LED chip, which is the cause of most inground lights failing.

Item No.	Variant	Colour	CCT	Wattage	IP Rating	Beam Angle	Lumen Output
Magneto-18-45D	21095	Stainless Steel	3000K	18W	67	45°	1350lm
	21096		4000K				1400lm
	21098		5000K				1450lm

Requires 24V DC LED Driver - Wire in parallel.



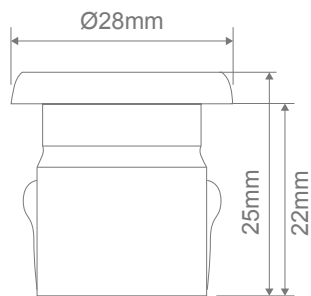
VIVID-5PK (Single Colour)

VIVID-DIMMER (Single Colour)



VIVID-5PK (RGB)

Suitable for:
Do-It-Yourself plug and play Deck light kit, commonly used as a feature for outdoor timber decks.



Cutout: Ø25mm



VIVID (Single head)

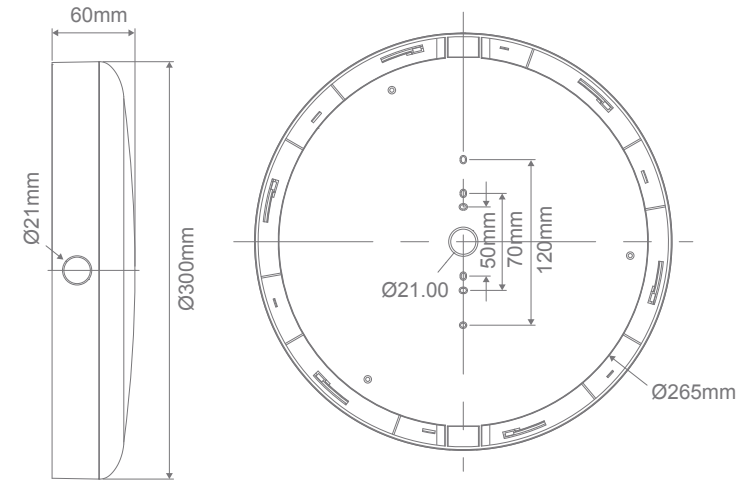
Item No.	Variant	Wattage	Finish	IP Rating	CCT	Lumen Output	Dimmable	Beam Angle
Single-Colour-5PK	21101	5x0.6W	Stainless Steel	67	3000K	100lm	Yes (only with 21100 controller)	120°
	21102				5000K	120lm		
RGB-Colour-5PK	21103	5x0.6W	Stainless Steel	67	RGB	N/A	Yes, with Colour Controller (included)	120°
Single-Heads*	21104	0.6W	Stainless Steel	67	3000K	100lm	Yes	120°
	21105				5000K	120lm		
	21106				RGB	N/A		
Single-Colour-Dimming-Controller	21100	N/A	Stainless Steel	67	N/A	N/A	Yes	120°

*Note: Single Heads are only an accessory to the 5Pk



Versa-300-Elid-Blk

Versa-300-Pln-Wht



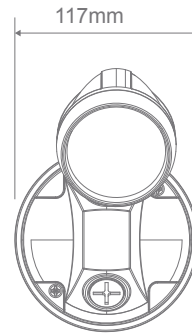
Versa

Suitable for:
Versatile wall light for residential and commercial wall (eyelid model) and ceilings (plain model). Allows for low, medium and high brightness presets to suit the application.

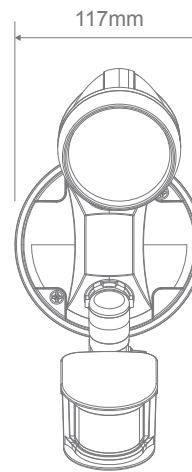
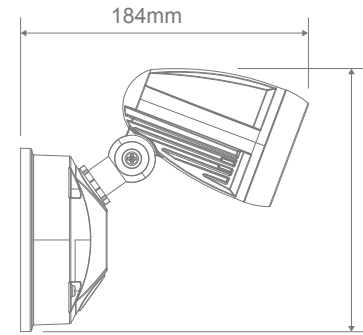
Item No.	Variant	Wattage	Colour	IP Rating	CCT	Lumen Output			Dimmable	Beam Angle
						Warm White 3000K	Neutral White 4000K	White 5700K		
Versa-300-Elid	19804	15W/18W/25W	Black	65	Trio	830lm/940lm/1250lm	850lm/990lm/1320lm	880lm/1050lm/1400lm	No	110°
	19806		White							
Versa-300-Pln	19800	15W/18W/25W	Black	65	Trio	1380lm/1560lm/2080lm	1420lm/1650lm/2200lm	1470lm/1710lm/2320lm	No	110°
	19802		White							



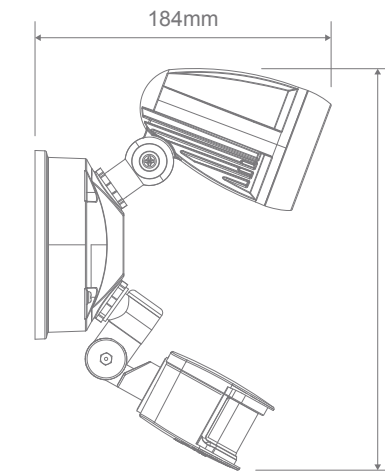
Muro-Pro-15-W



Muro-PRO-15



Muro-Pro-15S



Suitable for:
Ideal as a wall light for highlighting small areas such as BBQ areas or side of the house.



Muro-Pro-15-DG

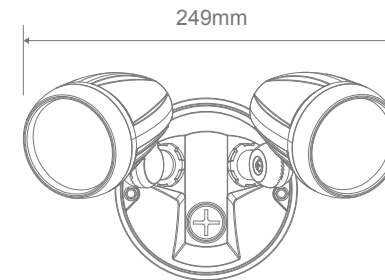


Muro-Pro-15-B

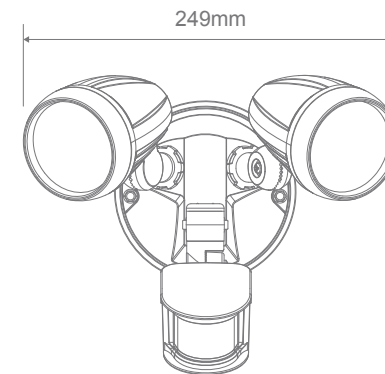
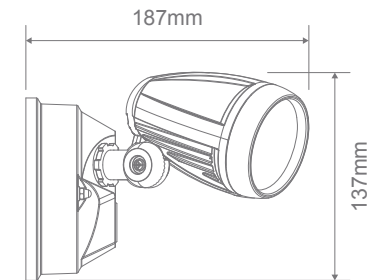
Item No.	Variant	Wattage	Colour	IP Rating	CCT	Lumen Output			Dimmable	Beam Angle
						Warm White 3000K	Neutral White 4000K	White 5000K		
Muro-Pro-15	25053	15W	Black	54	Trio	950lm	1050lm	1000lm	No	120°
	25054		Dark Grey							
	25055		White							
Muro-Pro-15S	25056	15W	Black	44	Trio	950lm	1050lm	1000lm	No	120°
	25057		Dark Grey							
	25058		White							



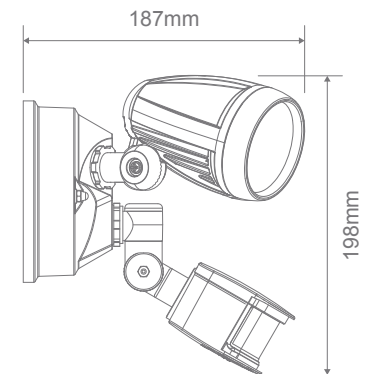
Muro-Pro-30S-DG



Muro-PRO-30



Muro-Pro-30S



Suitable for:
 Ideal for most exterior wall applications. Sensor model is ideal for front and back facade, commonly used inbetween front roller doors.

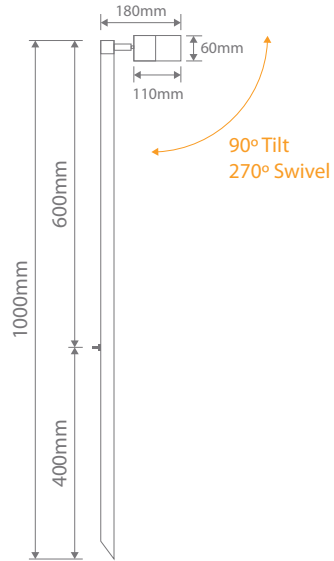
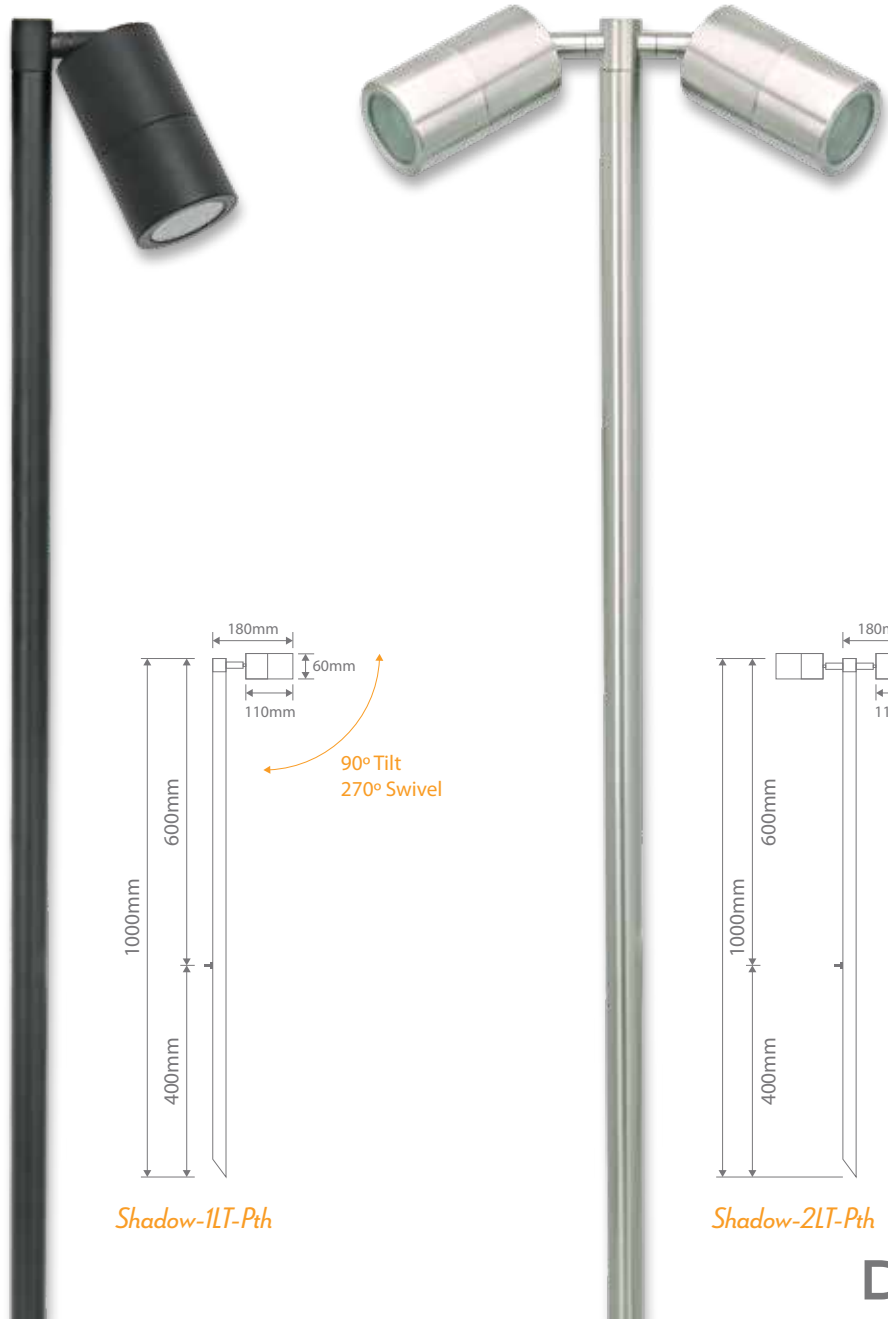


Muro-Pro-30S-W

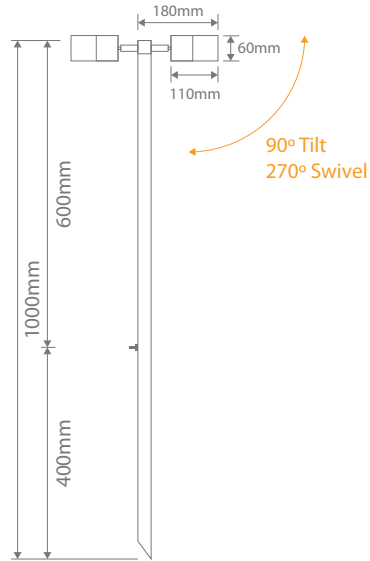


Muro-Pro-30S-B

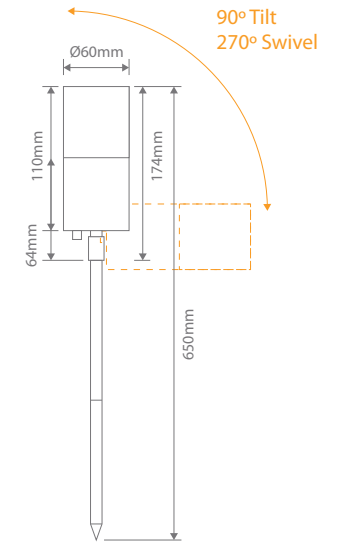
Item No.	Variant	Wattage	Colour	IP Rating	CCT	Lumen Output			Dimmable	Beam Angle
						Warm White 3000K	Neutral White 4000K	White 5000K		
Muro-Pro-30	25059	30W	Black	54	Trio	1900lm	2100lm	2000lm	No	120°
	25060		Dark Grey							
	25061		White							
Muro-Pro-30S	25062	30W	Black	44	Trio	1900lm	2100lm	2000lm	No	120°
	25063		Dark Grey							
	25064		White							



Shadow-1LT-Pth



Shadow-2LT-Pth

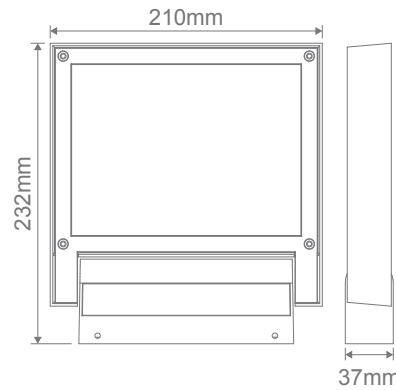


Shadow-1LT-Gdn

Item No.	Variant		Wattage	IP Rating	Requires
	Black	Stainless Steel			
Shadow-2-Pth	49086	49087	2x5-10W*	65	MR16 Lamp (Not Included)
Shadow-1-Pth	49081	49082	5-10W*	65	
Shadow-1-Gdn	49071	49072	5-10W*	65	

12V DC LED Driver required - Wire in parallel

Suitable for:
Gardens and pathways, ideal for lighting low level shrubs and plants.



Suitable for:
Commonly used to light backyard. Great solution as a feature floodlight due to modern design.

Flash-20-Blk

Item No.	Variant	Wattage	Colour	IP Rating	CCT	Lumen Output	Dimmable	Beam Angle
Flash-20	19620	20W	Black	65	3000K	2000lm	No	140°
	19621				5000K	2200lm		
	19564		Dark Grey		3000K	2000lm		
	19565				5000K	2200lm		
	19584		Siver		3000K	2000lm		
	19585				5000K	2200lm		
	19586		White		3000K	2000lm		
	19587				5000K	2200lm		



Flash-20-Wht



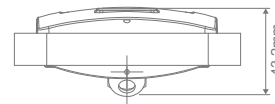
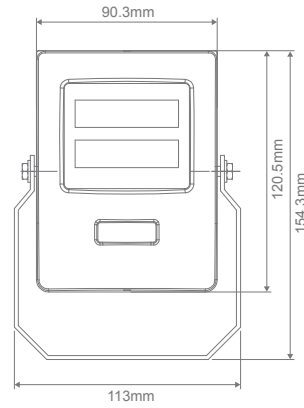
Flash-20-Slr



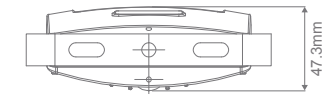
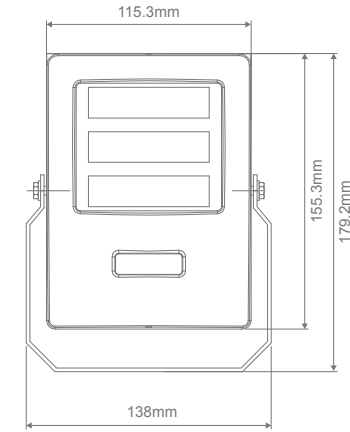
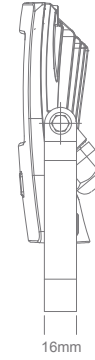
Flash-20-Dgr



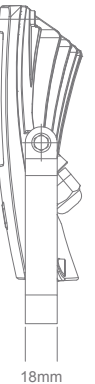
Blaze-30



Blaze-10

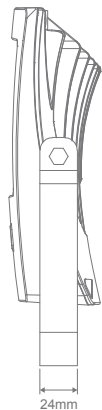
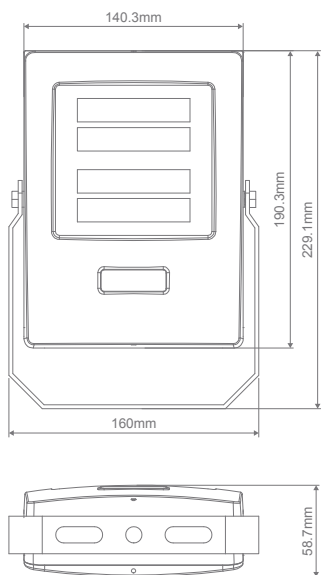


Blaze-20

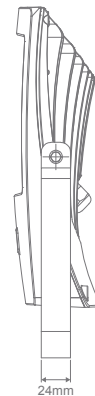
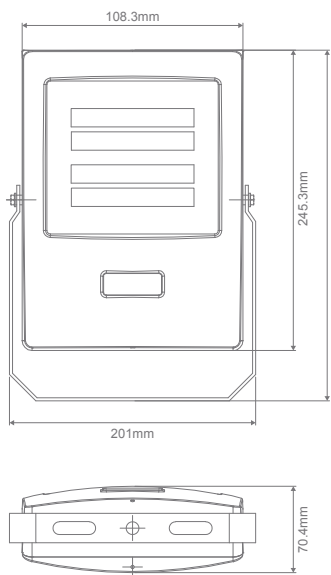


Suitable for:
 Commonly used to light smaller areas of the backyard.
 Polycarbonate body allows for coastal area installations.

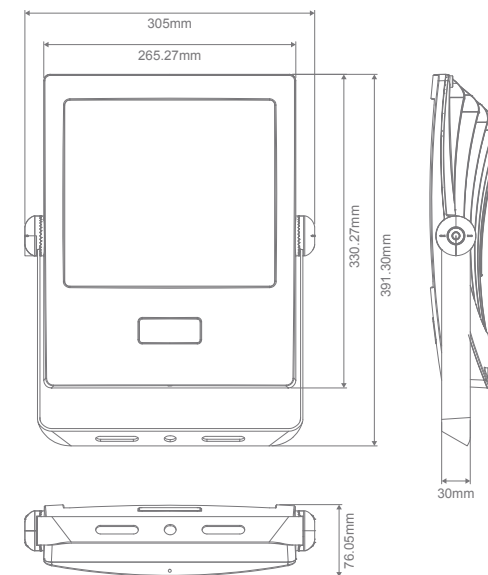
Item No.	Variant	Wattage	Colour	IP Rating	CCT	Lumen Output	Dimmable	Beam Angle
Blaze-10	19596	10W	Black	65	3000K	900lm	No	90°x120°
	19597				5000K	910lm		
Blaze-20	19588	20W	Black	65	3000K	1800lm	No	90°x120°
	19589				5000K	1900lm		



Blaze-30



Blaze-50



Blaze-100

Suitable for:
Commonly used to light larger areas of the backyard and pool areas. Polycarbonate body allows for coastal area installations.

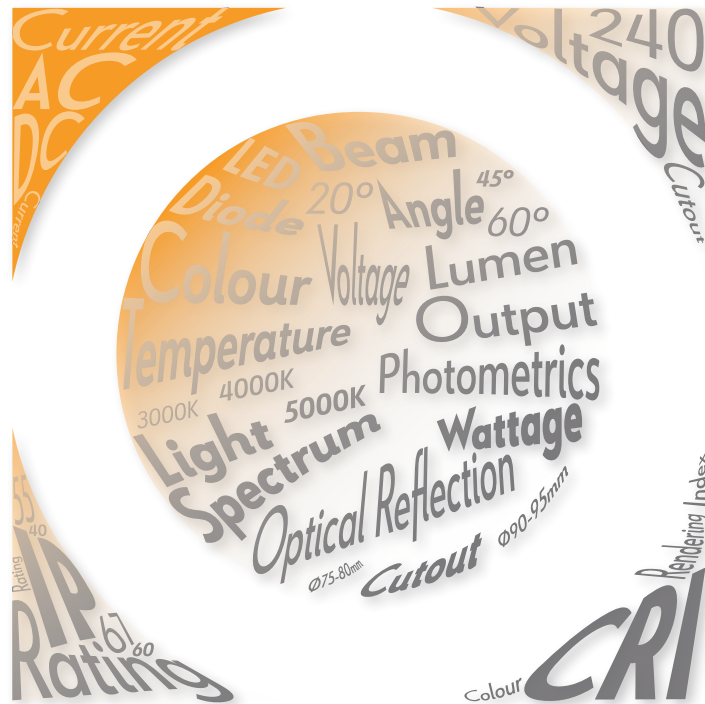
Item No.	Variant	Wattage	Colour	IP Rating	CCT	Lumen Output	Dimmable	Beam Angle
Blaze-30	19590	30W	Black	65	3000K	2700lm	No	90°x120°
	19591				5000K	2850lm		
Blaze-50	19592	50W	Black	65	3000K	4500lm	No	90°x120°
	19593				5000K	4750lm		
Blaze-100	19594	100W	Black	65	3000K	9000lm	No	90°x120°
	19595				5000K	9500lm		



Blaze-50

Terms & Conditions

1. **Definitions**
 - 1.1 "Domus" means Domus Lighting Pty Ltd, its successors and assigns or any person acting on behalf of and with the authority of Domus Lighting Pty Ltd.
 - 1.2 "Customer" means the person/s buying the Goods as specified in any invoice, document or order, and if there is more than one Customer is a reference to each Customer jointly and severally.
 - 1.3 "Goods" means all Goods or Services supplied by Domus to the Customer at the Customer's request from time to time (where the context so permits the terms 'Goods' or 'Services' shall be interchangeable for the other).
 - 1.4 "Price" means the Price payable (plus any GST where applicable) for the Goods as agreed between Domus and the Customer in accordance with clause 6 below.
 - 1.5 "GST" means Goods and Services Tax as defined within the "A New Tax System (Goods and Services Tax) Act 1999".
2. **Specifications**
 - 2.1 Whilst Domus shall endeavour to provide correct and accurate information in all catalogues, brochures, instruction manuals, advertising materials and other documentation, all literature, is expressly illustrative and is by way of a general description of the Goods and Domus shall not be held liable where errors and/or omissions may occur.
 - 2.2 The Customer shall be responsible for ensuring that the Goods ordered are suitable for their intended use, as in some instances the Goods are made to order and Domus offers no refund, either partial or fully, in the event of any cancellation by the Customer.
 - 2.3 The Customer acknowledges and accepts that the supply of Goods for accepted orders may be subject to availability and if, for any reason, Goods are not, or cease to be, available, Domus reserves the right to substitute comparable products (or components thereof) and vary the Price as per clause 6.2. In all such cases Domus will notify the Customer in advance of any such substitution, and also reserves the right to place the Customer's order on hold until such time as Domus and the Customer agree to such changes.
3. **Title**
 - 3.1 Domus and the Customer agree that ownership of the Goods shall not pass until:
 - (a). the Customer has paid Domus all amounts owing to Domus; and
 - (b). the Customer has met all of its other obligations to Domus.
 - 3.2 Receipt by Domus of any form of payment other than cash shall not be deemed to be payment until that form of payment has been honoured, cleared or recognised.
 - 3.3 It is further agreed that, until ownership of the Goods passes to the Customer in accordance with clause 10.1:
 - (a). the Customer is only a bailee of the Goods and must return the Goods to Domus on request.
 - (b). the Customer holds the benefit of the Customer's insurance of the Goods on trust for Domus and must pay to Domus the proceeds of any insurance in the event of the Goods being lost, damaged or destroyed.
 - (c). the Customer must not sell, dispose, or otherwise part with possession of the Goods other than in the ordinary course of business and for market value. If the Customer sells, disposes or parts with possession of the Goods then the Customer must hold the proceeds of any such act on trust for Domus and must pay or deliver the proceeds to Domus on demand.
 - (d). the Customer should not convert or process the Goods or intermix them with other goods but if the Customer does so then the Customer holds the resulting product on trust for the benefit of Domus and must sell, dispose of or return the resulting product to Domus as it so directs.
 - (e). the Customer irrevocably authorises Domus to enter any premises where Domus believes the Goods are kept and recover possession of the Goods.
 - (f). Domus may recover possession of any Goods in transit whether or not delivery has occurred.
 - (g). the Customer shall not charge or grant an encumbrance over the Goods nor grant nor otherwise give away any interest in the Goods while they remain the property of Domus.
 - (h). Domus may commence proceedings to recover the Price of the Goods sold notwithstanding that ownership of the Goods has not passed to the Customer.
4. **Damaged/Faulty Goods, Warranties and Returns and Claims, Competition and Consumer Act 2010 (CCA)**
 - 4.1 The Customer must inspect the Goods on delivery and must within seven (7) days of delivery notify Domus in writing of any evident defect/damage, shortage in quantity, or failure to comply with the description or quote. The Customer must notify any other alleged defect in the Goods as soon as reasonably possible after any such defect becomes evident. Upon such notification the Customer must allow Domus to inspect the Goods. A Goods Returned Authority number (GRA) will be issued by Domus upon notification of Goods to be returned and shall accompany the Goods along with all other relevant documentation.
 - 4.2 The conditions applicable to the warranty given by clause 13.1 are as specified below:
 - (a). **Damaged/Faulty Goods:** Domus, in its absolute discretion, agrees to repair or replace or credit Goods that have been approved by Domus to be defective and in accordance with 13.1 and any instructions issued by Domus;
 - (b). **Warranties:** no warranties except those implied and which cannot be excluded by law are given by Domus in respect of Goods and Services supplied;
 - (c). **Shortages:** claims for "short deliveries" must be reported to Domus in writing within seven (7) days of delivery of Goods and in accordance with 13.1, no claims for short deliveries will be accepted after this time. The Customer will be responsible insuring that the total number of cartons delivered corresponds exactly with the delivery docket and/or the couriers consignment note;
 - (d). **Pricing:** claims for "incorrect pricing" must be reported to Domus in writing within fourteen (14) days of delivery of Goods and/or date of invoice. Domus reserves the right to reject any pricing claim submitted after fourteen (14) days of delivery of Goods and/or date of invoice.
 - (e). **Goods not Required by the Customer:** Domus may in its absolute discretion accept non-defective Goods (excluding specials, project or discontinued Goods) for return in which case Domus may require the Customer to pay handling fees of up to twenty five percent (25%) of the value of the returned Goods plus any freight costs and provide the GRA number and all other relevant documents pertaining to the Goods.
 - 4.3 Under applicable State, Territory and Commonwealth Law (including, without limitation the CCA), certain statutory implied guarantees and warranties (including, without limitation the statutory guarantees under the CCA) may be implied into these terms and conditions (**Non-Excluded Guarantees**).
 - 4.4 Except as expressly set out in these terms and conditions or in respect of the Non-Excluded Guarantees, Domus makes no warranties or other representations under these terms and conditions including but not limited to the quality or suitability of the Goods. Domus' liability in respect of these warranties is limited to the fullest extent permitted by law.
 - 4.5 If the Customer is a consumer within the meaning of the CCA in respect of any expressed warranties and guarantees, Domus' liability is limited to the extent permitted by section 64A of Schedule 2 and being either for a twelve (12) month, three (3) year or five (5) year period.
 - 4.6 If Domus is required to replace the Goods under this clause or the CCA, but is unable to do so, Domus may refund any money the Customer has paid for the Goods.
 - 4.7 If the Customer is not a consumer within the meaning of the CCA, Domus' liability for any defect or damage in the Goods is:
 - (a). limited to the value of any express warranty or warranty documentation provided to the Customer by Domus at Domus' sole discretion;
 - (b). limited to any warranty to which Domus is entitled, if Domus did not manufacture the Goods;
 - (c). otherwise negated absolutely.
 - 4.8 At no time will a warranty be transferrable. Any warranty offered is made only to the original Customer who must produce the original sales invoice at the point of submitting a warranty claim.
 - 4.9 Subject to this clause 13, returns will only be accepted provided that:
 - (a). the Customer has complied with the provisions of clause 13.1; and
 - (b). Domus has agreed that the Goods are defective; and
 - (c). the Customer has obtained a CRA number from Domus; and
 - (d). the Goods are returned within a reasonable time at the Customer's reasonable cost; and
 - (e). the Goods are returned in the condition in which they were delivered and with all packaging material, brochures and instruction material in as new condition as is reasonably possible in the circumstances.
 - 4.10 Notwithstanding clauses 13.1 to 13.8 but subject to the CCA, Domus shall not
- be liable for any defect or damage which may be caused or partly caused by or arise as a result of:
 - (a). the Customer failing to properly maintain or store any Goods;
 - (b). the Customer using the Goods for any purpose other than that for which they were designed;
 - (c). the Customer continuing the use of any Goods after any defect became apparent or should have become apparent to a reasonably prudent operator or user;
 - (d). the Customer failing to follow any instructions or guidelines provided by Domus;
 - (e). fair wear and tear, any accident, or act of God.
- 4.11 Notwithstanding anything contained in this clause if Domus is required by a law to accept a return then Domus will only accept a return on the conditions imposed by that law.
5. **Third Party Claims**
 - 5.1 In the instance that Domus' Goods have been installed and then become defective, Domus shall not be responsible for any electrical costs involved. The defective Goods shall be returned to Domus in accordance with 13.1.
 - 5.2 In the instance that Domus' Goods are agreed by Domus as defective on a commercial job, Domus reserves the right either reject or to use the following procedures to remedy and rectify the situation. Domus may:
 - (a). use Domus' qualified staff and resources; or
 - (b). obtain a quotation for the remedial/rectification work to be completed on Domus' behalf, with the quotation to be signed off by Domus' management prior to commencement of the said work and a work order being issued.
 - 5.3 Failure of the Customer to all the procedure in 14.2 to occur may result in Domus not accepting any back charge claim made by the Customer.
6. **Intellectual Property**
 - 6.1 Where Domus has designed, drawn or developed Goods for the Customer, then the copyright in any designs and drawings and documents shall remain the property of Domus. Under no circumstances may such designs, drawings and documents be used without the express written approval of Domus.
 - 6.2 The Customer warrants that all designs, specifications or instructions given to Domus will not cause Domus to infringe any patent, registered design or trademark in the execution of the Customer's order and the Customer agrees to indemnify Domus against any action taken by a third party against Domus in respect of any such infringement.
7. **Privacy Act 1988**
 - 7.1 The Customer agrees for Domus to obtain from a credit reporting body (CRB) a credit report containing personal credit information (e.g. name, address, D.O.B, occupation, previous credit applications, credit history) about the Customer in relation to credit provided by Domus.
 - 7.2 The Customer agrees that Domus may exchange information about the Customer with those credit providers and with related body corporates for the following purposes:
 - (a). to assess an application by the Customer; and/or
 - (b). to notify other credit providers of a default by the Customer; and/or
 - (c). to exchange information with other credit providers as to the status of this credit account, where the Customer is in default with other credit providers; and/or
 - (d). to assess the creditworthiness of the Customer including the Customer's repayment history in the preceding two (2) years.
 - 7.3 The Customer consents to Domus being given a consumer credit report to collect overdue payment on commercial credit.
 - 7.4 The Customer agrees that personal credit information provided may be used and retained by Domus for the following purposes (and for other agreed purposes or required by):
 - (a). the provision of Goods; and/or
 - (b). analysing, verifying and/or checking the Customer's credit, payment and/or status in relation to the provision of Goods; and/or
 - (c). processing of any payment instructions, direct debit facilities and/or credit facilities requested by the Customer; and/or
 - (d). enabling the collection of amounts outstanding in relation to the Goods.
 - 7.5 Domus may give information about the Customer to a CRB for the following purposes:
 - (a). to obtain a consumer credit report;
 - (b). allow the CRB to create or maintain a credit information file about the Customer including credit history.
 - 7.6 The information given to the CRB may include:
 - (a). personal information as outlined in 19.1 above;
 - (b). name of the credit provider and that Domus is a current credit provider to the Customer;
 - (c). whether the credit provider is a licensee;
 - (d). type of consumer credit;
 - (e). details concerning the Customer's application for credit or commercial credit (e.g. date of commencement/termination of the credit account and the amount requested);
 - (f). advice of consumer credit defaults, overdue accounts, loan repayments or outstanding monies which are overdue by more than sixty (60) days and for which written notice for request of payment has been made and debt recovery action commenced or alternatively that the Customer no longer has any overdue accounts and Domus has been paid or otherwise discharged and all details surrounding that discharge (e.g. dates of payments);
 - (g). information that, in the opinion of Domus, the Customer has committed a serious credit infringement;
 - (h). advice that the amount of the Customer's overdue payment is equal to or more than one hundred and fifty dollars (\$150).
 - 7.7 The Customer shall have the right to request (by e-mail) from Domus:
 - (a). a copy of the information about the Customer retained by Domus and the right to request that Domus correct any incorrect information; and
 - (b). that Domus does not disclose any personal information about the Customer for the purpose of direct marketing.
 - 7.8 Domus will destroy personal information upon the Customer's request (by e-mail) or if it is no longer required unless it is required in order to fulfil the obligations of this agreement or is required to be maintained and/or stored in accordance with the law.
 - 7.9 The Customer can make a privacy complaint by contacting Domus via e-mail. Domus will respond to that complaint within seven (7) days of receipt and will take all reasonable steps to make a decision as to the complaint within thirty (30) days of receipt of the complaint. In the event that the Customer is not satisfied with the resolution provided, the Customer can make a complaint to the Information Commissioner at www.oaic.gov.au.
8. **General**
 - 8.1 The failure by either party to enforce any provision of these terms and conditions shall not be treated as a waiver of that provision, nor shall it affect that party's right to subsequently enforce that provision. If any provision of these terms and conditions shall be invalid, void, illegal or unenforceable the validity, existence, legality and enforceability of the remaining provisions shall not be affected, prejudiced or impaired.
 - 8.2 These terms and conditions and any contract to which they apply shall be governed by the laws of New South Wales in which Domus has its principal place of business, and are subject to the jurisdiction of the Bankstown Local Court, New South Wales.
 - 8.3 Subject to clause 13, Domus shall be under no liability whatsoever to the Customer for any indirect and/or consequential loss and/or expense (including loss of profit) suffered by the Customer arising out of a breach by Domus of these terms and conditions (alternatively Domus' liability shall be limited to damages which under no circumstances shall exceed the Price of the Goods).
 - 8.4 The Customer agrees that Domus may amend these terms and conditions by notifying the Customer in writing. These changes shall be deemed to take effect from the date on which the Customer accepts such changes, or otherwise at such time as the Customer makes a further request for Domus to provide Goods to the Customer.
 - 8.5 Neither party shall be liable for any default due to any act of God, war, terrorism, strike, lock-out, industrial action, fire, flood, storm or other event beyond the reasonable control of either party.
 - 8.6 Both parties warrant that they have the power to enter into this agreement and have obtained all necessary authorisations to allow them to do so, they are not insolvent and that this agreement creates binding and valid legal obligations on them.



DOMUS[®]

29-31 Richland Street, Kingsgrove. NSW 2208.

Ph: (02) 9554 9600 | domuslighting.com.au | enquiries@domuslighting.com.au



St George Illawarra Dragons
Proud Partner